



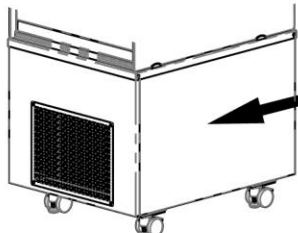
General Installation Considerations

- Area in which display is to be sited must have a minimum room floor area no less than 17 sq m (KPC6FBHT), 26 sq m (KPC9FBHT), 28 sq m (KPC12FBHT) or 29 sq m (KPC15&18FBHT).
- Install over a sealed floor or ventilated floor void.
- Do not site the display within 2m of ceiling mounted air conditioning grilles.
- Do not site the display beneath a high level of direct sunlight.
- Display will operate in a 24 hour environment.
- Access to maintain condensing unit should be made via removable fascia panels or doors to customer and operator side of counter.

FREE-STANDING (FRONTAGE SUPPLIED)

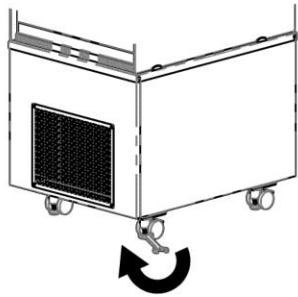
A) ROLL UNIT INTO POSITION

UNIT SUPPLIED WITH CASTORS



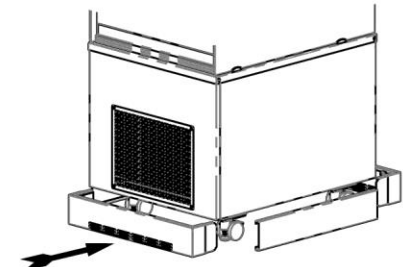
B) ADJUST UNIT HEIGHT

USING SUPPLIED SPANNER (ENSURE THE HALF NUT IS WOUND FULLY UPWARDS)



C) FIT OPTIONAL KICK PLINTH

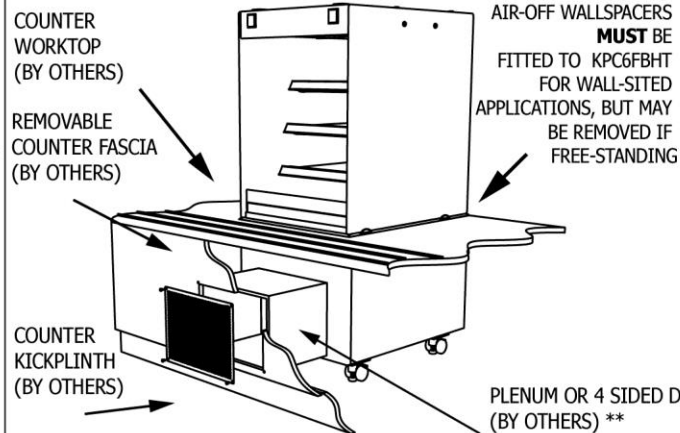
FRONT & REAR LOCATES WITH MAGNETS



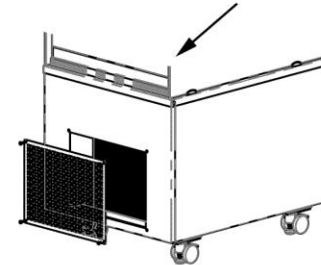
NOTE: OPTIONAL KICKPLINTH IS SUITABLE FOR LOWEST ADJUSTED UNIT HEIGHT

FREE-STANDING OR COUNTER LOCATED (FASCIA PANEL BY OTHERS)

OPTION 1) FASCIA PANEL WITH CUT-OUT FOR CED FASCIA GRILLE(S)

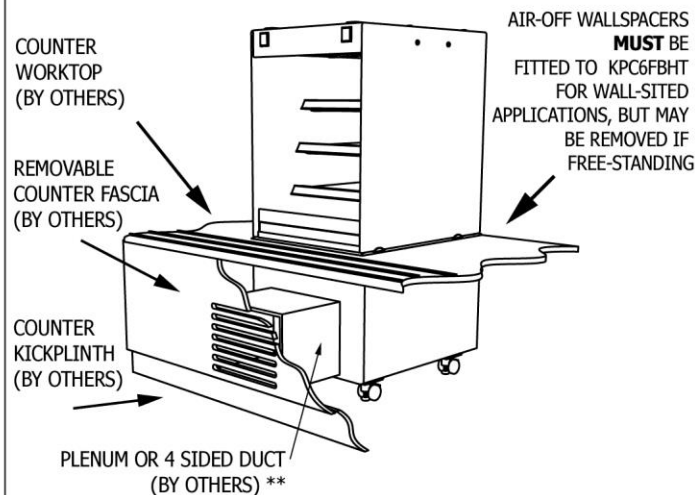


* CED FASCIA GRILLE(S) SUPPLIED FITTED TO FRONT OF UNIT, CAN BE REMOVED AND RELOCATED ONTO FASCIA PANEL (BY OTHERS)

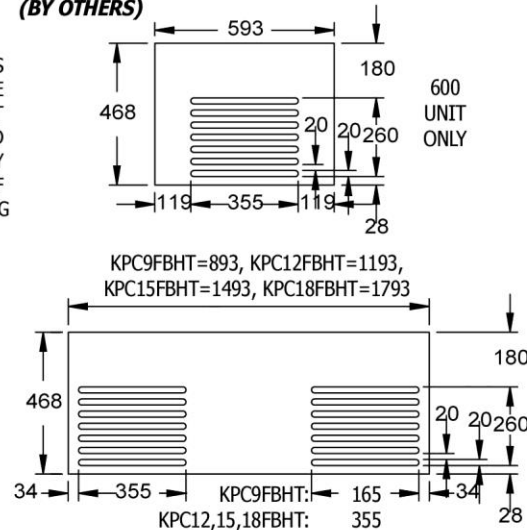


** A PLENUM OR 4 SIDED TUNNEL (MADE FROM MDF, PLYWOOD OR NILFLAM TYPE MATERIAL) MUST BE FITTED BETWEEN THE REAR FACE OF THE CUSTOMER SIDE FASCIA PANEL AND THE FRONT FACE OF THE PATISSERIE, AROUND THE AIR INTAKE CUT-OUT, TO STOP THE RE-CIRCULATION OF HOT AIR FROM THE COMPRESSOR. SILICON SEAL AROUND EDGES TO ENSURE THERE ARE NO AIR GAPS.

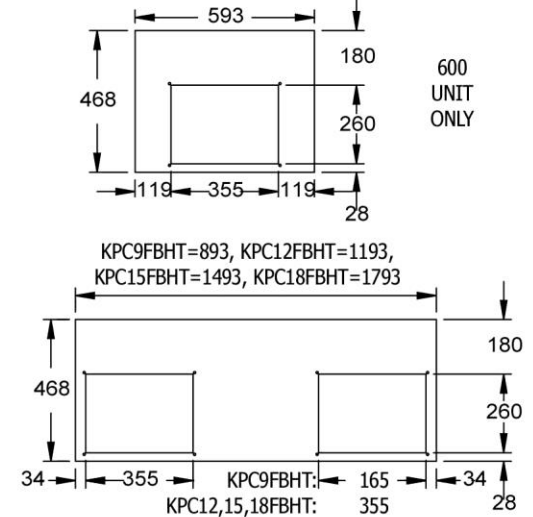
OPTION 2) FASCIA PANEL WITH ROUTED SLOTS



SUGGESTED REMOVABLE FASCIA PANEL ROUTING (BY OTHERS)



SUGGESTED REMOVABLE FASCIA PANEL (BY OTHERS) FOR MOUNTING CED FASCIA GRILLE(S) *



FITTING SHELVES

LOCATE SHELF SUPPORT BRACKETS INTO REAR SLOTS AT HEIGHT & ANGLE TO SUIT PRODUCTS (NOTE: SHORTEST BRACKETS AT TOP AND LONGEST BRACKETS AT BTM). REST GLASS SHELVES ONTO RUBBER BUMPERS ON SHELF SUPPORTS. (NOTE HALF-LENGTH SHELVES ARE LOCATED ON BOTTOM TO ALLOW FOR TALLER BOTTLES ON DECK)

