

# SELF HELP CHILLED PATISSERIE (FIXED BACK) - R290 - FITTING INSTRUCTIONS



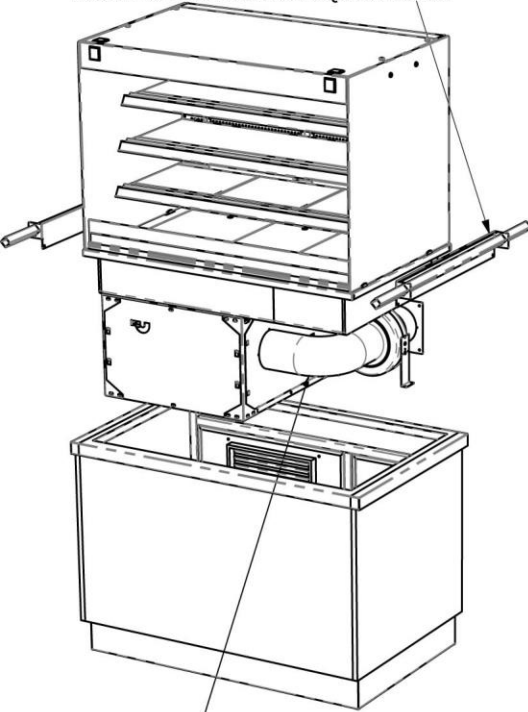
## General Installation Considerations

- 1) Area in which display is to be sited must have a minimum room floor area no less than 17 sq m (KPC6FBHTD), 26 sq m (KPC9FBHTD), 28 sq m (KPC12FBHTD) or 29 sq m (KPC15&18FBHTD).
- 2) Install over a sealed floor or ventilated floor void.
- 3) Do not site the display within 2m of ceiling mounted air conditioning grilles.
- 4) Do not site the display beneath a high level of direct sunlight.
- 5) Display will operate in a 24 hour environment.
- 6) Access to maintain condensing unit should be made via removable fascia panels or doors to customer and operator side of counter.

### A) WORKTOP CUT-OUT

Model Ref.	Worktop Cut Out Size (mm)		Model Weight (in Kg)
	Length	Width	
KPC6FBHTD+PAF2	570	740	146
KPC9FBHTD+PAF2	870	740	193
KPC12FBHTD+PAF2	1170	740	245
KPC15FBHTD+PAF2	1470	740	299
KPC18FBHTD+PAF2	1770	740	351

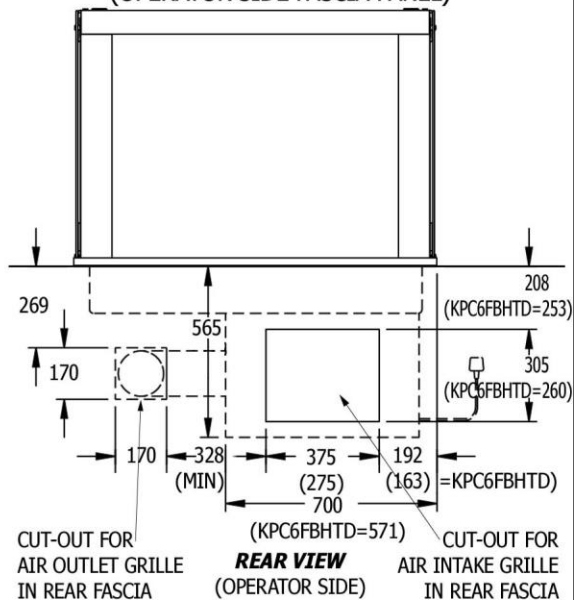
FIX LIFTING BRACKETS TO FRAME END FLANGES USING SCREWS ALREADY IN FLANGES, THEN LOCATE LIFTING BARS INTO SQUARE HOLES.



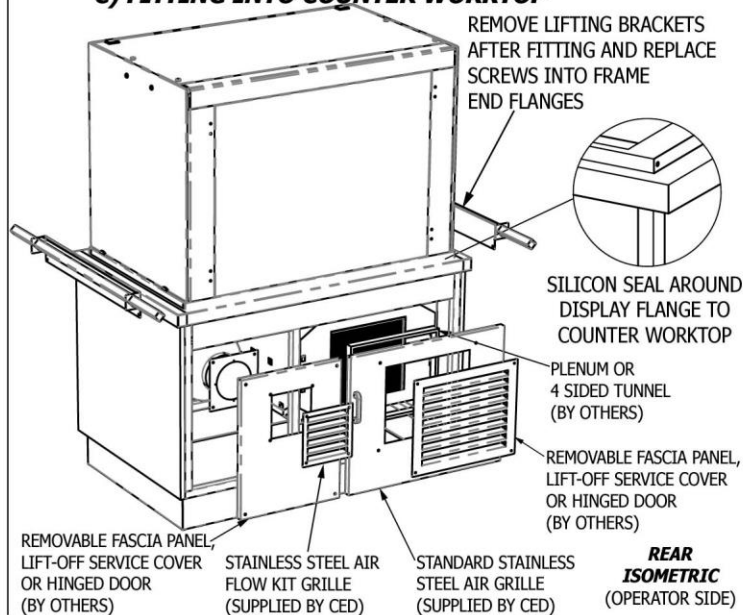
FLEXIBLE DUCTING & IN-LINE FAN SUPPLIED LOOSE. RE-ATTACH FLEXIBLE DUCTING & IN-LINE FAN TO SIDE OF COMPRESSOR CRADLE ONCE UNIT HAS BEEN DROPPED INTO PLACE. ELECTRICALLY CONNECT FAN TO CONTROL BOX WITH "KETTLE PLUG"

**FRONT ISOMETRIC**  
(CUSTOMER SIDE)

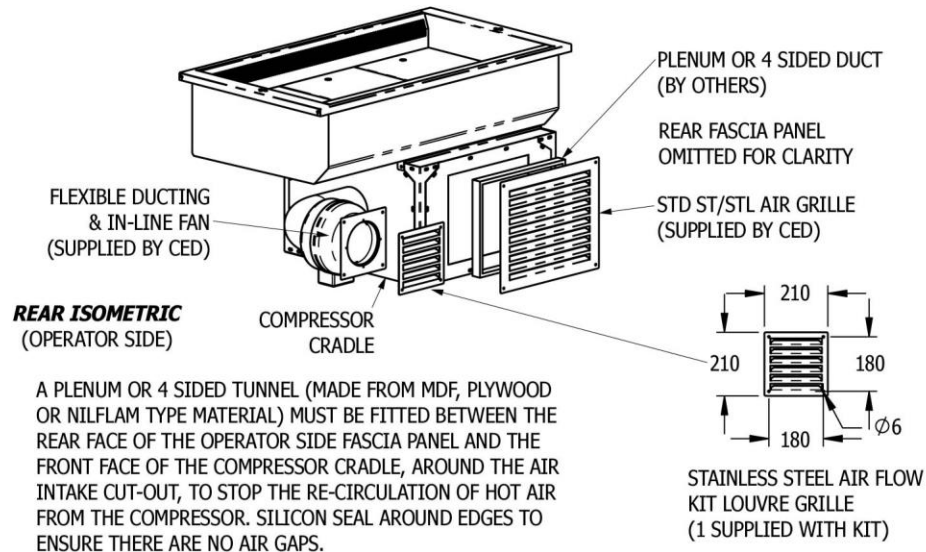
### B) AIR INTAKE & OUTLET CUT-OUTS (OPERATOR SIDE FASCIA PANEL)



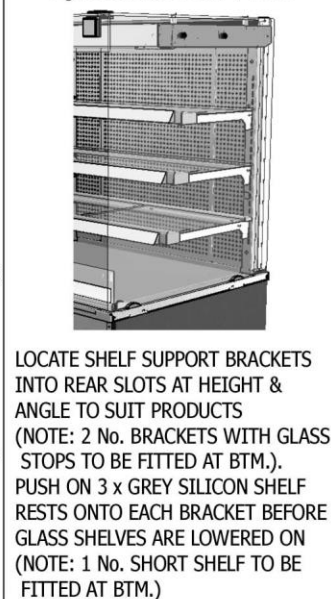
### C) FITTING INTO COUNTER WORKTOP



### E) AIR INTAKE TUNNEL / PLENUM FITTING (OPERATOR SIDE FASCIA PANEL)



### D) FITTING SHELVES



### F) FITTING OF LOUVRE GRILLES

