

SELF HELP CHILLED PATTISERIE (REAR DOORS) - R290 - FITTING INSTRUCTIONS WITH AIRFLOW KIT PAF1 (IN/OUT TO CUSTOMER SIDE)

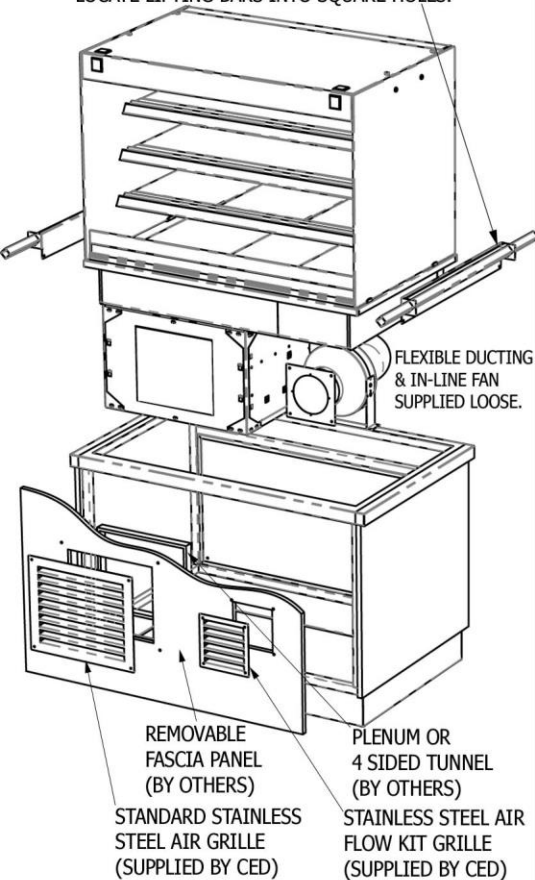
General Installation Considerations

- 1) Area in which display is to be sited must have a minimum room floor area no less than 17 sq m (KPC6HTD), 26 sq m (KPC9HTD), 28 sq m (KPC12HTD) or 29 sq m (KPC15&18HTD).
- 2) Install over a sealed floor or ventilated floor void.
- 3) Do not site the display within 2m of ceiling mounted air conditioning grilles.
- 4) Do not site the display beneath a high level of direct sunlight.
- 5) Display will operate in a 24 hour environment.
- 6) Access to maintain condensing unit should be made via removable fascia panels or doors to customer and operator side of counter.

A) WORKTOP CUT-OUT

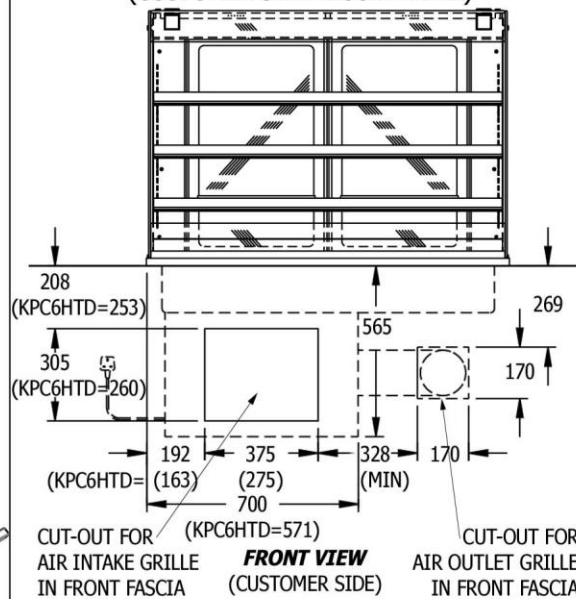
| Model Ref. | Worktop Cut Out Size (mm) | | Model Weight (in Kg) |
|---------------|---------------------------|-------|----------------------|
| | Length | Width | |
| KPC6HTD+PAF1 | 570 | 740 | 146 |
| KPC9HTD+PAF1 | 870 | 740 | 193 |
| KPC12HTD+PAF1 | 1170 | 740 | 245 |
| KPC15HTD+PAF1 | 1470 | 740 | 299 |
| KPC18HTD+PAF1 | 1770 | 740 | 351 |

FIX LIFTING BRACKETS TO FRAME END FLANGES USING SCREWS ALREADY IN FLANGES, THEN LOCATE LIFTING BARS INTO SQUARE HOLES.

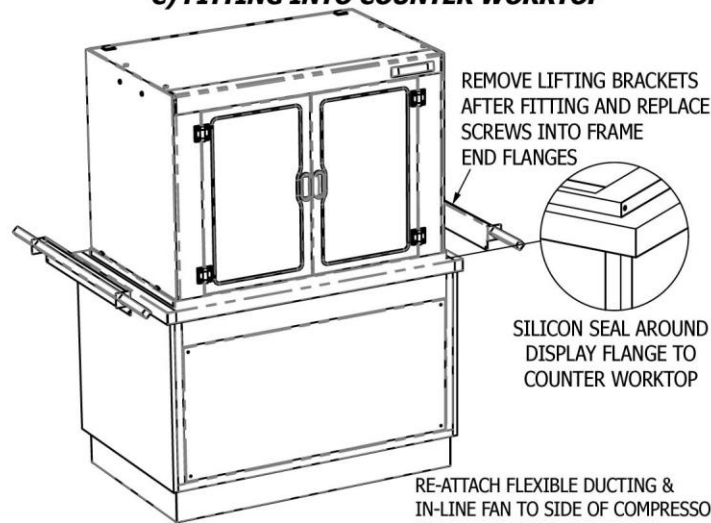


FRONT ISOMETRIC
(CUSTOMER SIDE)

B) AIR INTAKE & OUTLET CUT-OUTS (CUSTOMER SIDE FASCIA PANEL)



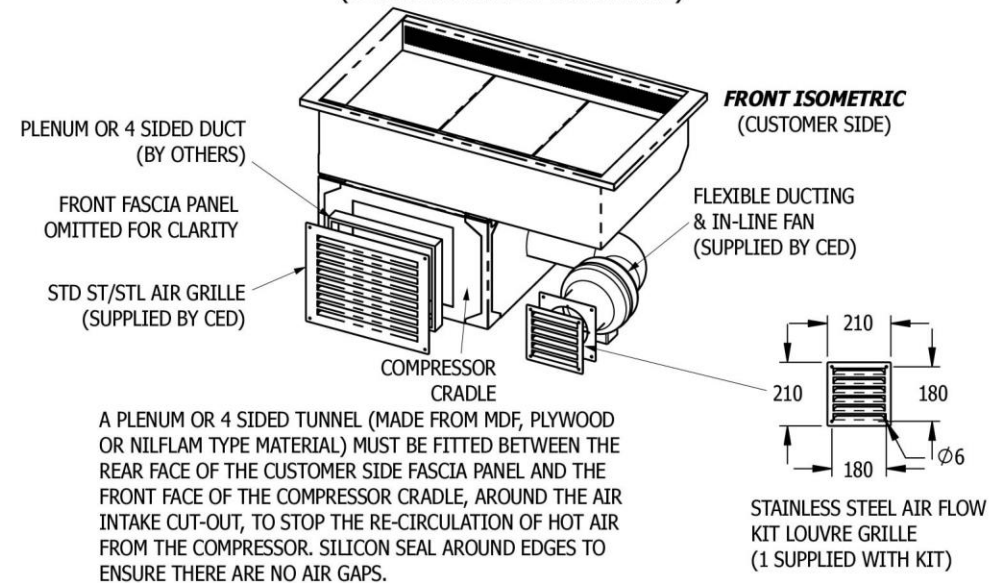
C) FITTING INTO COUNTER WORKTOP



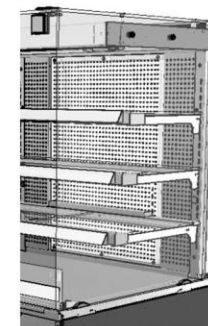
REAR ISOMETRIC
(OPERATOR SIDE)

RE-ATTACH FLEXIBLE DUCTING & IN-LINE FAN TO SIDE OF COMPRESSOR CRADLE ONCE UNIT HAS BEEN DROPPED INTO PLACE. ELECTRICALLY CONNECT FAN TO CONTROL BOX WITH "KETTLE PLUG"

E) AIR INTAKE TUNNEL / PLENUM FITTING (CUSTOMER SIDE FASCIA PANEL)



D) FITTING SHELVES



LOCATE SHELF SUPPORT BRACKETS INTO REAR SLOTS AT HEIGHT & ANGLE TO SUIT PRODUCTS (NOTE: 2 No. BRACKETS WITH GLASS STOPS TO BE FITTED AT BTM.). PUSH ON 3 x GREY SILICON SHELF RESTS ONTO EACH BRACKET BEFORE GLASS SHELVES ARE LOWERED ON (NOTE: 1 No. SHORT SHELF TO BE FITTED AT BTM.)

F) FITTING OF LOUVRE GRILLES

