

SELF HELP CHILLED PATISSERIE (REAR DOORS) - FITTING INSTRUCTIONS

HYDROCARBON TYPE - R290 REFRIGERANT



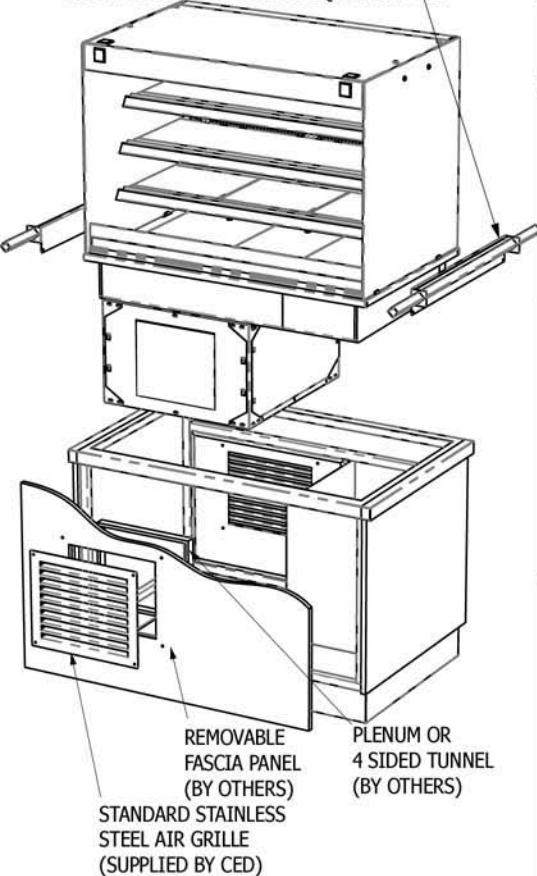
General Installation Considerations

- 1) Area in which display is to be sited must have a minimum room floor area not less than 17 sq m (KPC6HTD), 26 sq m (KPC9HTD), 28 sq m (KPC12HTD) or 29 sq m (KPC15&18HTD).
- 2) Install over a sealed floor or ventilated floor void.
- 3) Do not site the display within 2m of ceiling mounted air conditioning grilles.
- 4) Do not site the display beneath a high level of direct sunlight.
- 5) Display will operate in a 24 hour environment.
- 6) Access to maintain condensing unit should be made via removable fascia panels or doors to customer and operator side of counter.

A) WORKTOP CUT-OUT

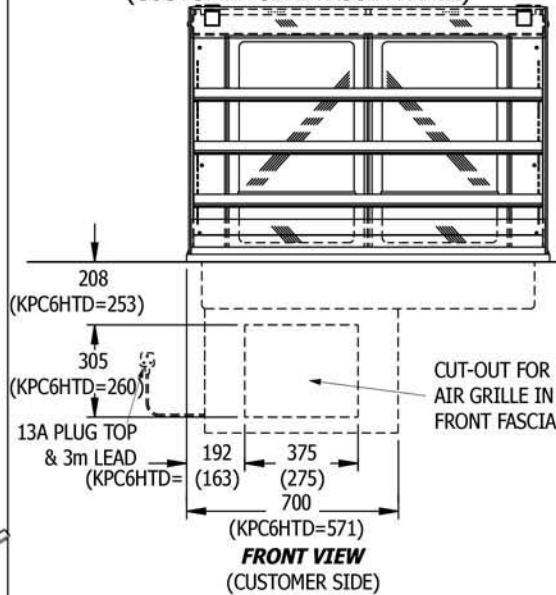
Model Ref.	Worktop Cut Out Size (mm)		Model Weight (in Kg)
	Length	Width	
KPC6HTD	570	740	141
KPC9HTD	870	740	188
KPC12HTD	1170	740	240
KPC15HTD	1470	740	294
KPC18HTD	1770	740	346

FIX LIFTING BRACKETS TO FRAME END FLANGES USING SCREWS ALREADY IN FLANGES, THEN LOCATE LIFTING BARS INTO SQUARE HOLES.

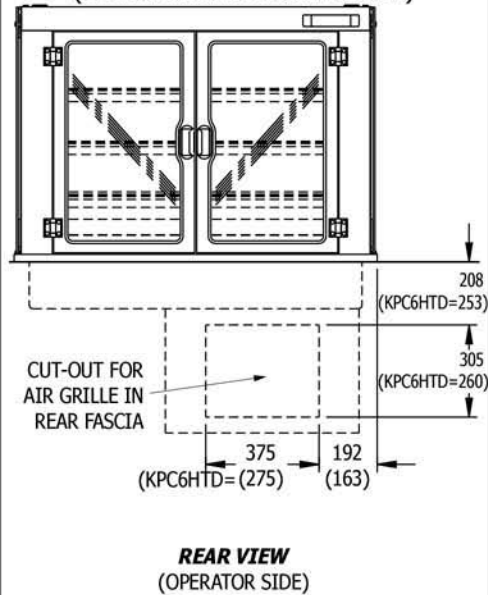


FRONT ISOMETRIC
(CUSTOMER SIDE)

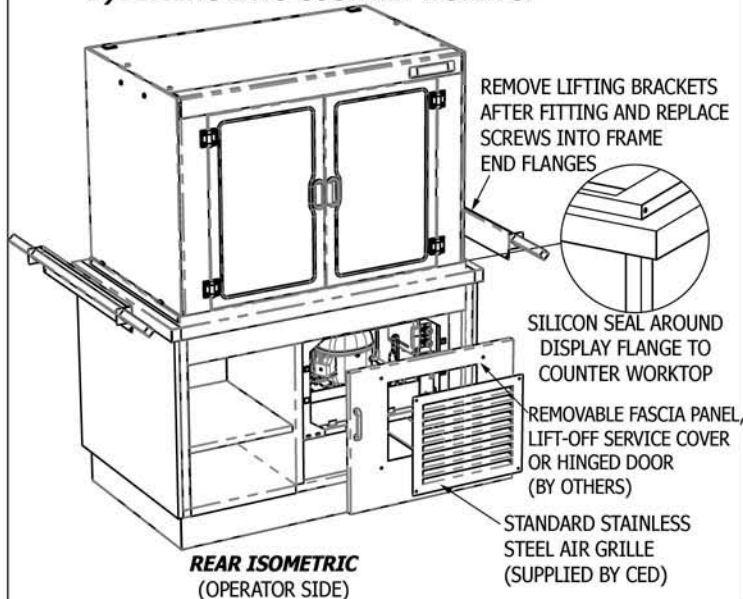
B) AIR INTAKE CUT-OUT (CUSTOMER SIDE FASCIA PANEL)



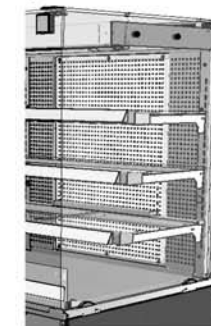
C) AIR OUTLET CUT-OUT (OPERATOR SIDE FASCIA PANEL)



D) FITTING INTO COUNTER WORKTOP

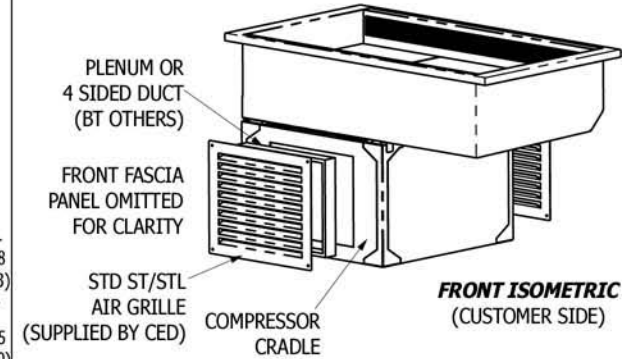


E) FITTING SHELVES



LOCATE SHELF SUPPORT BRACKETS INTO REAR SLOTS AT HEIGHT & ANGLE TO SUIT PRODUCTS (NOTE: SHORTEST BRACKETS AT TOP AND LONGEST BRACKETS AT BTM). REST GLASS SHELVES ONTO RUBBER BUMPERS ON SHELF SUPPORTS. (NOTE HALF-LENGTH SHELVES ARE LOCATED ON BOTTOM TO ALLOW FOR TALLER BOTTLES ON DECK)

F) AIR INTAKE TUNNEL / PLENUM FITTING (CUSTOMER SIDE FASCIA PANEL)



A PLENUM OR 4 SIDED TUNNEL (MADE FROM MDF, PLYWOOD OR NILFLAM TYPE MATERIAL) MUST BE FITTED BETWEEN THE REAR FACE OF THE CUSTOMER SIDE FASCIA PANEL AND THE FRONT FACE OF THE COMPRESSOR CRADLE, AROUND THE AIR INTAKE CUT-OUT, TO STOP THE RE-CIRCULATION OF HOT AIR FROM THE COMPRESSOR. SILICON SEAL AROUND EDGES TO ENSURE THERE ARE NO AIR GAPS.

G) FITTING OF LOUVRE GRILLES

