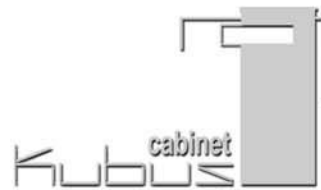


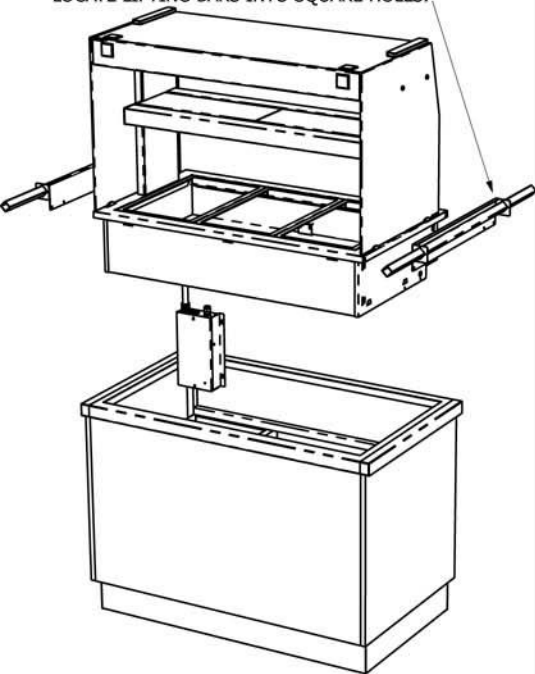
SELF HELP DRY HEAT BAIN MARIE & HEATED MID SHELF - FITTING INSTRUCTIONS



A) WORKTOP CUT-OUT

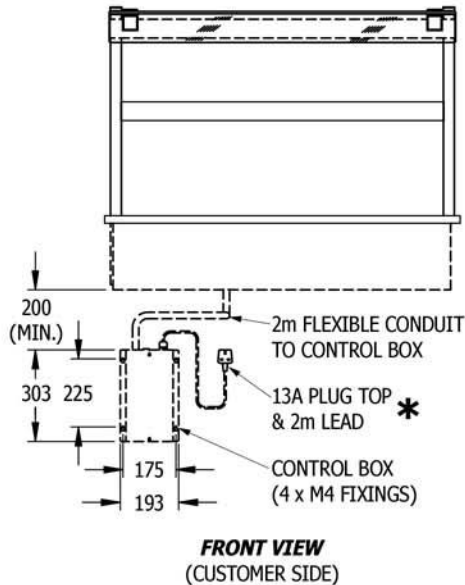
Model Ref.	Worktop Cut Out Size (mm)		Model Weight (in Kg)
	Length	Width	
KHBM2PS	795	650	65
KHBM3PS	1145	650	76
KHBM4PS	1495	650	87
KHBM5PS	1845	650	98

FIX LIFTING BRACKETS TO FRAME END FLANGES USING SCREWS ALREADY IN FLANGES, THEN LOCATE LIFTING BARS INTO SQUARE HOLES.



FRONT ISOMETRIC (CUSTOMER SIDE)

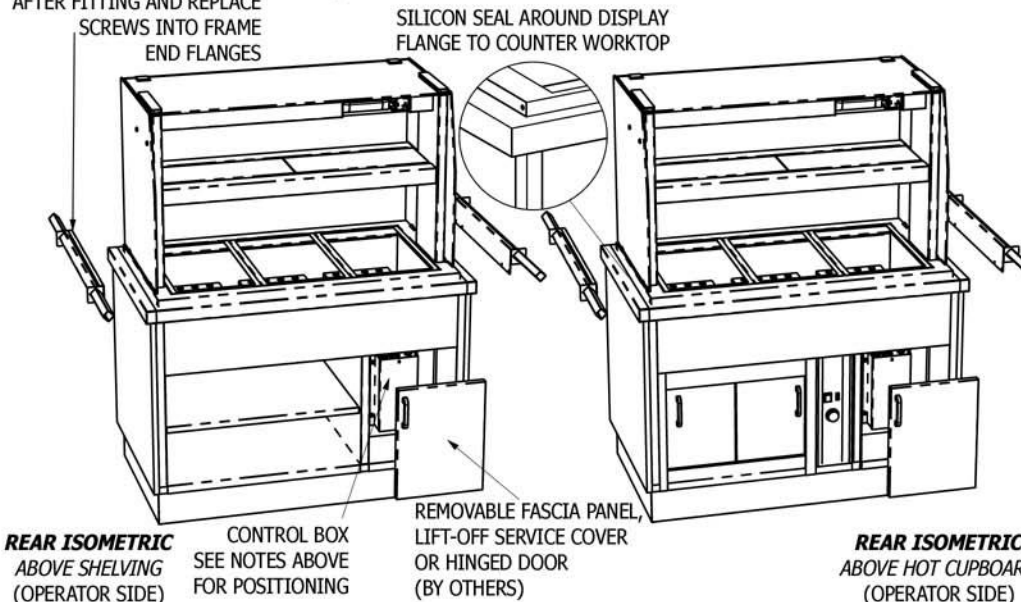
B) LOCATING OF CONTROL BOX



Recommended Control Box Positioning
Site the control box preferably to an upright surface, in an accessible service void, adjacent to or below the display unit (minimum clearance below underside of display unit = 200mm).

Incorrect Control Box Positioning
The control box must not be located
1) directly to the underside of the display unit,
2) above a hot cupboard or,
3) where ambient temperature is above 40°C,
4) where likely to allow ingress of water i.e. wet floor areas.

C) FITTING INTO COUNTER WORKTOP

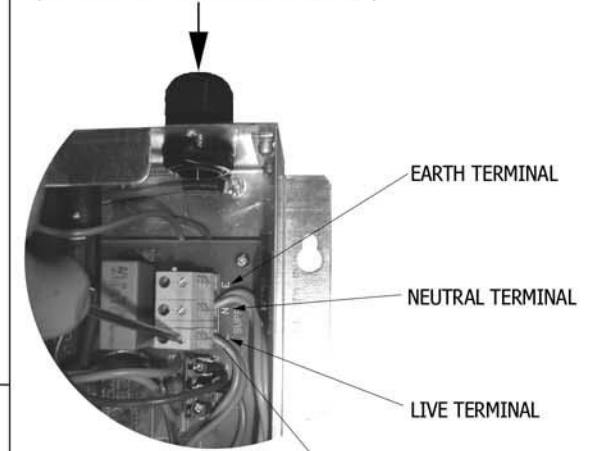


* D) FOR MODELS ABOVE 3KW

INCOMING ELECTRICAL SUPPLY DETAILS

Model Ref.	Current	Voltage	Power
KHBM3PS	16A	230V	3.3kW
KHBM4PS	20A	230V	4.4kW
KHBM5PS	32A	230V	5.5kW

INCOMING ELECTRICAL SUPPLY (SEE TABLE ABOVE FOR SUPPLY DETAILS)



CLOSE-UP OF INCOMING WIRING DETAIL



INSIDE LAYOUT OF CONTROL BOX

