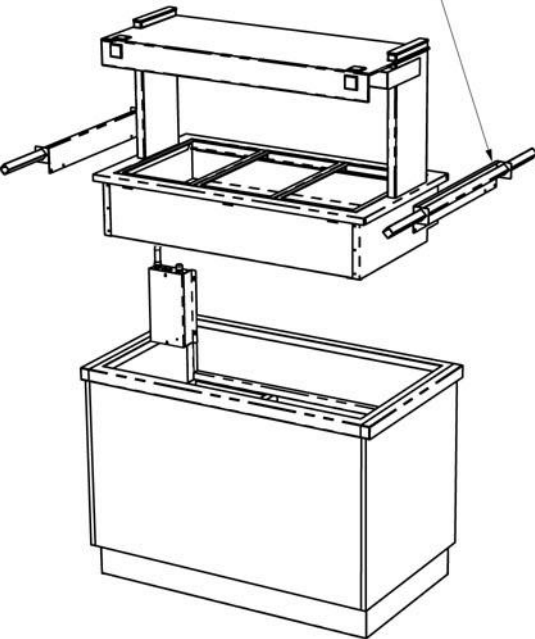


A) WORKTOP CUT-OUT

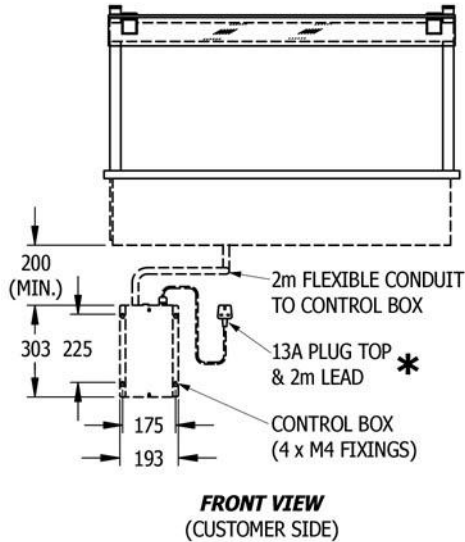
Model Ref.	Worktop Cut Out Size (mm)		Model Weight (in Kg)
	Length	Width	
KHBM2	795	650	38
KHBM3	1145	650	49
KHBM4	1495	650	60
KHBM5	1845	650	71
KHBM6	2195	650	83

FIX LIFTING BRACKETS TO FRAME END FLANGES USING SCREWS ALREADY IN FLANGES, THEN LOCATE LIFTING BARS INTO SQUARE HOLES.



FRONT ISOMETRIC (CUSTOMER SIDE)

B) LOCATING OF CONTROL BOX



FRONT VIEW (CUSTOMER SIDE)

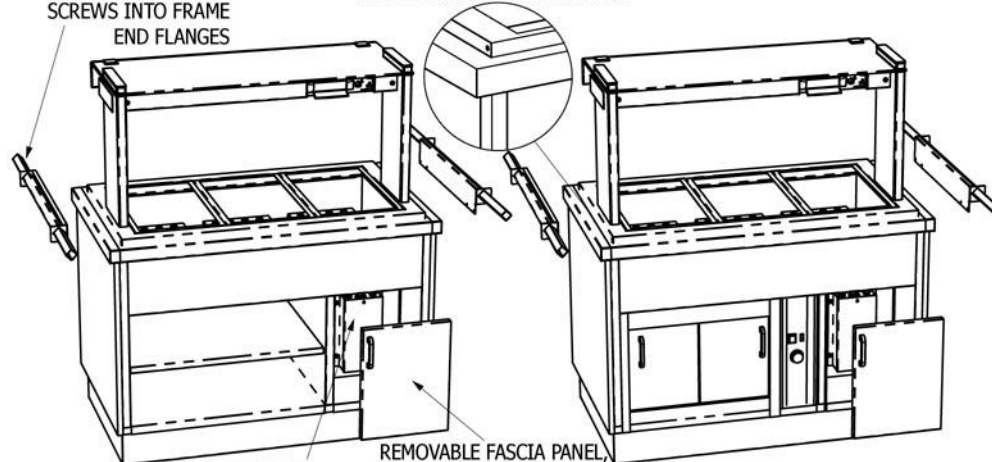
Recommended Control Box Positioning
Site the control box preferably to an upright surface, in an accessible service void, adjacent to or below the display unit (minimum clearance below underside of display unit = 200mm).

Incorrect Control Box Positioning
The control box must not be located
1) directly to the underside of the display unit,
2) above a hot cupboard or,
3) where ambient temperature is above 40°C,
4) where likely to allow ingress of water i.e. wet floor areas.

C) FITTING INTO COUNTER WORKTOP

REMOVE LIFTING BRACKETS AFTER FITTING AND REPLACE SCREWS INTO FRAME END FLANGES

SILICON SEAL AROUND DISPLAY FLANGE TO COUNTER WORKTOP



REAR ISOMETRIC ABOVE SHELVING (OPERATOR SIDE)

CONTROL BOX SEE NOTES ABOVE FOR POSITIONING

REMOVABLE FASCIA PANEL LIFT-OFF SERVICE COVER OR HINGED DOOR (BY OTHERS)

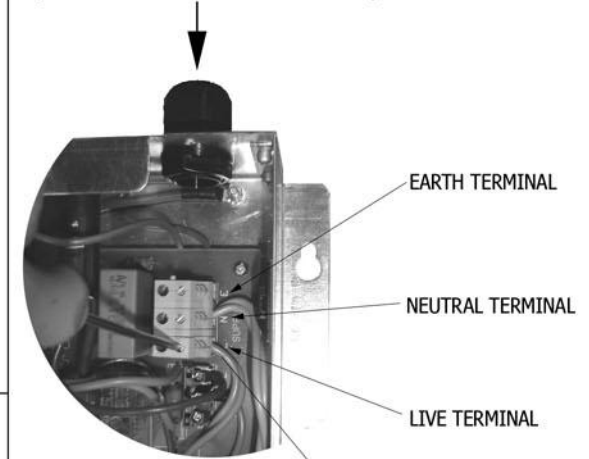
REAR ISOMETRIC ABOVE HOT CUPBOARD (OPERATOR SIDE)

* D) FOR MODELS ABOVE 3kW

INCOMING ELECTRICAL SUPPLY DETAILS

Model Ref.	Current	Voltage	Power
KHBM5	20A	230V	4.0kW
KHBM6	32A	230V	4.8kW

INCOMING ELECTRICAL SUPPLY (SEE TABLE ABOVE FOR SUPPLY DETAILS)



CLOSE-UP OF INCOMING WIRING DETAIL



INSIDE LAYOUT OF CONTROL BOX