

## HEATED GANTRIES

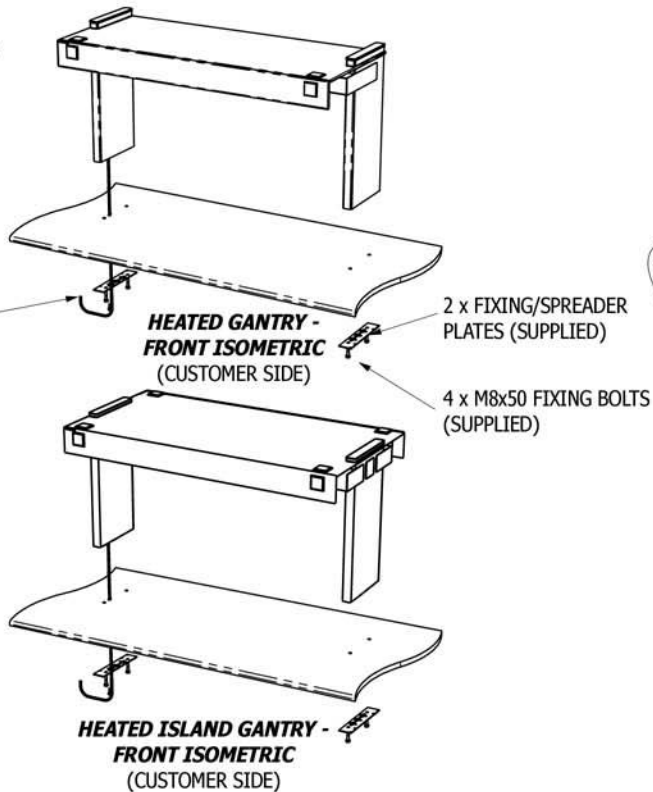
Model Ref.	Dim "X"
KHG2	750
KHG3	1100
KHG4	1450
KHG5	1800
KHG6	2150

## HEATED ISLAND GANTRIES

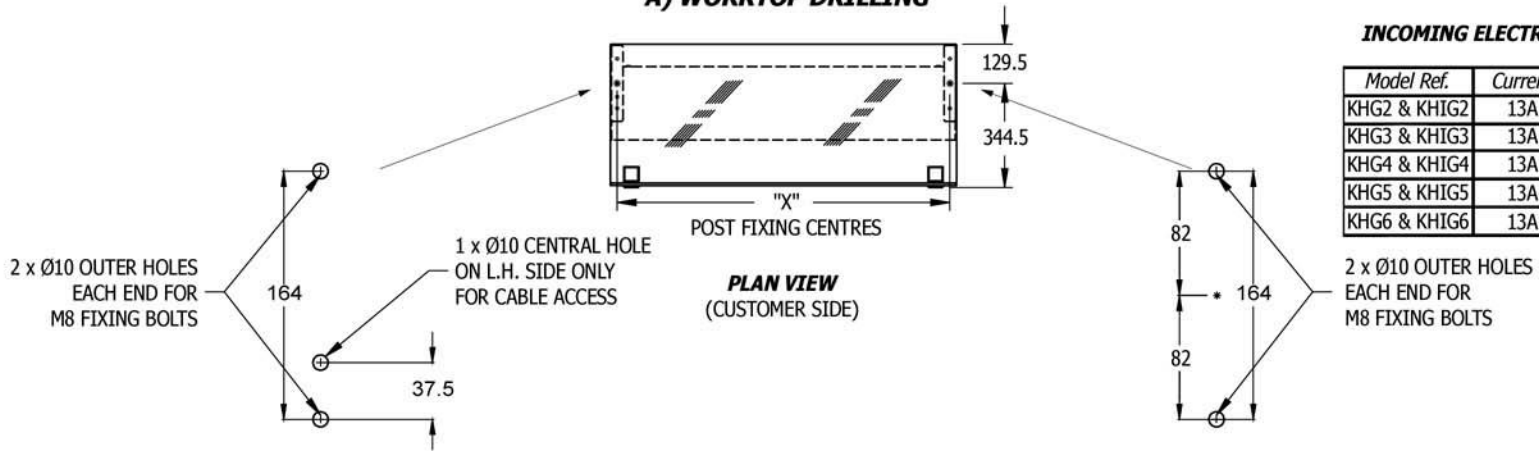
Model Ref.	Dim "X"
KHIG2	750
KHIG3	1100
KHIG4	1450
KHIG5	1800
KHIG6	2150

## B) FITTING TO WORKTOP

UNIT SUPPLIED WITH 2m LEAD FOR WIRING TO CUSTOMER'S OWN CONTROL CIRCUIT OR OPTIONAL QUARTZ CONTROLLER - PASS WIRE THROUGH CENTRAL HOLE ON LHS OF WORKTOP & SPREADER PLATE AND WIRE INTO CIRCUIT OR QUARTZ CONTROLLER (SEE C)



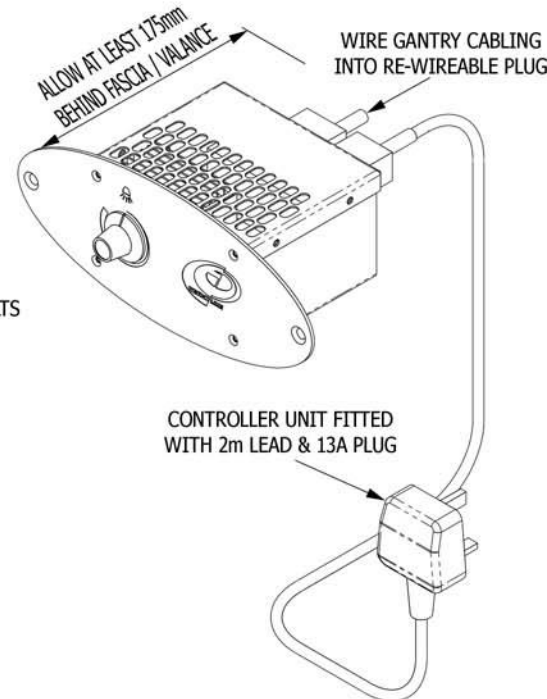
## A) WORKTOP DRILLING



## INCOMING ELECTRICAL SUPPLY DETAILS

Model Ref.	Current	Voltage	Power
KHG2 & KHIG2	13A	230V	0.6kW
KHG3 & KHIG3	13A	230V	0.9kW
KHG4 & KHIG4	13A	230V	1.2kW
KHG5 & KHIG5	13A	230V	1.5kW
KHG6 & KHIG6	13A	230V	1.8kW

## C) WIRING TO OPTIONAL QUARTZ CONTROLLER



## D) MOUNTING OPTIONAL QUARTZ CONTROLLER

