

HEATED GANTRIES

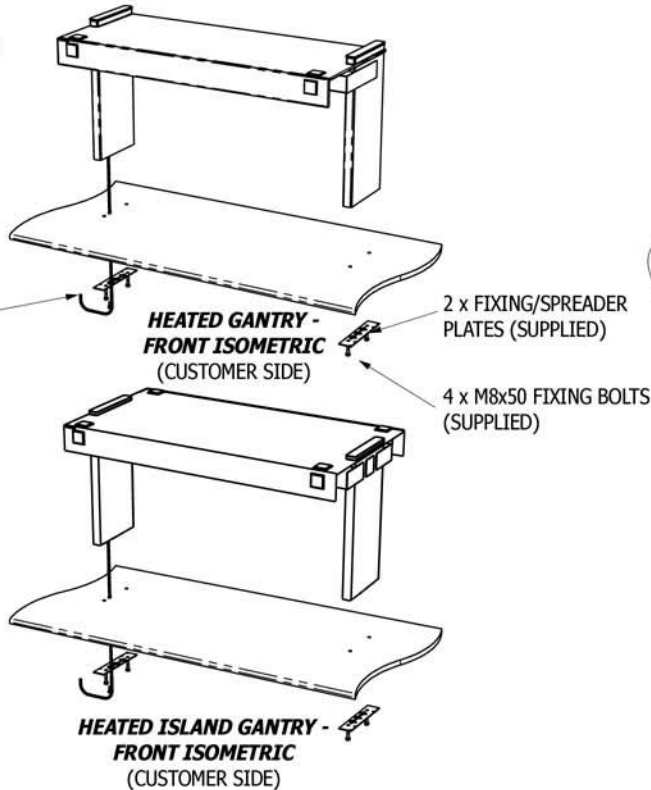
Model Ref.	Dim "X"
KHG2	750
KHG3	1100
KHG4	1450
KHG5	1800
KHG6	2150

HEATED ISLAND GANTRIES

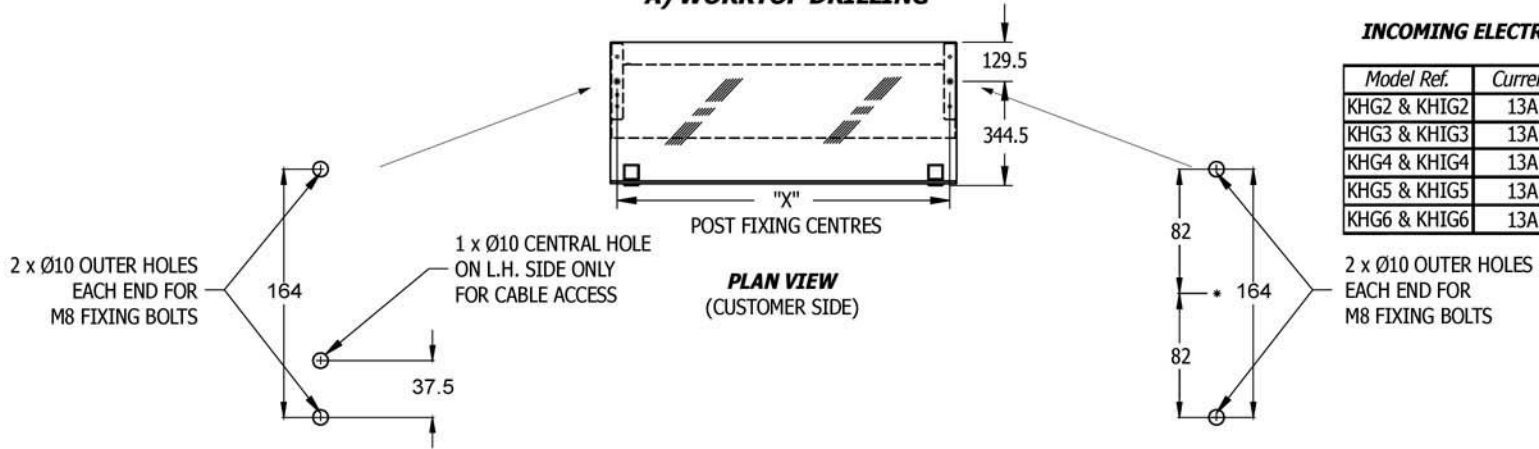
Model Ref.	Dim "X"
KHIG2	750
KHIG3	1100
KHIG4	1450
KHIG5	1800
KHIG6	2150

B) FITTING TO WORKTOP

UNIT SUPPLIED WITH 2m LEAD FOR WIRING TO CUSTOMER'S OWN CONTROL CIRCUIT OR OPTIONAL QUARTZ CONTROLLER - PASS WIRE THROUGH CENTRAL HOLE ON LHS OF WORKTOP & SPREADER PLATE AND WIRE INTO CIRCUIT OR QUARTZ CONTROLLER (SEE C)



A) WORKTOP DRILLING

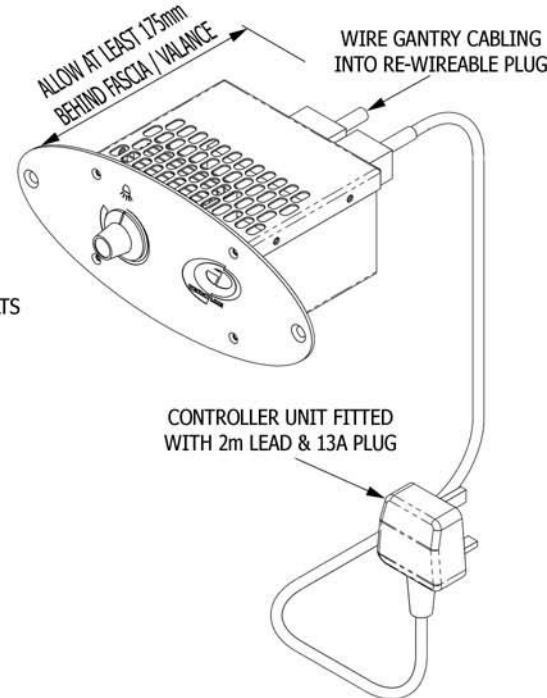


INCOMING ELECTRICAL SUPPLY DETAILS

Model Ref.	Current	Voltage	Power
KHG2 & KHIG2	13A	230V	0.6kW
KHG3 & KHIG3	13A	230V	0.9kW
KHG4 & KHIG4	13A	230V	1.2kW
KHG5 & KHIG5	13A	230V	1.5kW
KHG6 & KHIG6	13A	230V	1.8kW

2 x Ø10 OUTER HOLES EACH END FOR M8 FIXING BOLTS

C) WIRING TO OPTIONAL QUARTZ CONTROLLER



D) MOUNTING OPTIONAL QUARTZ CONTROLLER

