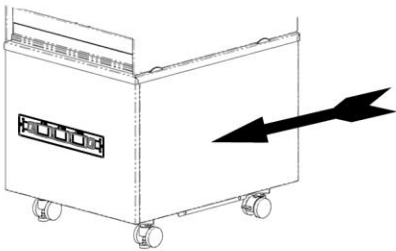




### FREE-STANDING APPLICATION

#### A) ROLL UNIT INTO POSITION

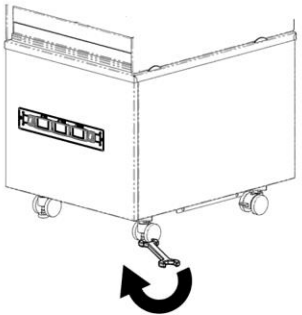
UNIT SUPPLIED WITH CASTORS



#### B) ADJUST UNIT HEIGHT

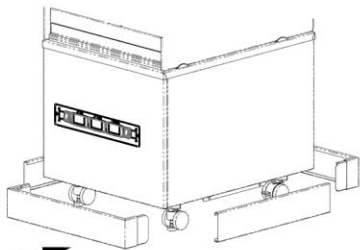
USING SUPPLIED SPANNER

(ENSURE THE HALF NUT IS WOUND FULLY UPWARDS)



#### C) FIT KICK PLINTH

FRONT & REAR LOCATES WITH MAGNETS



NOTE: OPTIONAL KICKPLINTH IS SUITABLE FOR LOWEST ADJUSTED UNIT HEIGHT

### COUNTER LOCATED APPLICATION (FASCIA PANEL BY OTHERS)

#### A) REMOVE FRONT PANEL

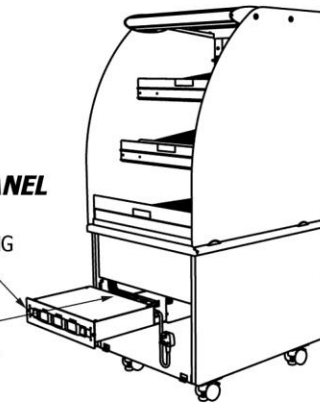
LIFT FRONT PANEL OFF LOCATING TABS AND SWING OUT TO REMOVE



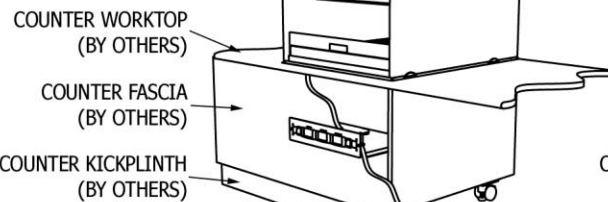
#### B) RELOCATE CONTROL PANEL

UNSCREW 2 x M4 FIXINGS, SLIDE OUT OF SUPPORT HOUSING AND RE-FIX TO FASCIA PANEL

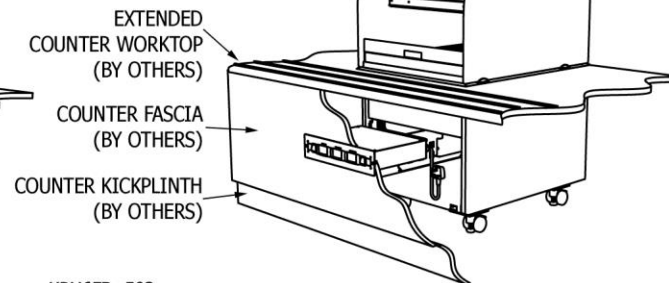
UN-PLUG ALL CONNECTORS FROM REAR OF CONTROL BOX, PASS THROUGH FASCIA PANEL APERTURE AND RE-CONNECT



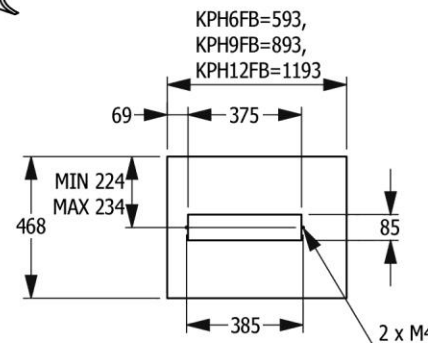
#### FLUSH FITTING FASCIA PANEL



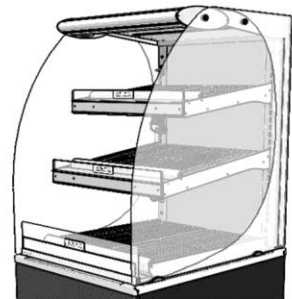
#### STAND-OFF FASCIA PANEL



SUGGESTED REMOVABLE FASCIA PANEL ROUTING (BY OTHERS)



### FITTING SHELVES



LOCATE SHELF SUPPORT BRACKETS INTO REAR SLOTS AT HEIGHT & ANGLE TO SUIT PRODUCTS  
WIRE SHELF GRIDS MAY BE REMOVED TO GIVE GREATER BASE TEMPERATURE TO DISPLAYED PRODUCTS.

