

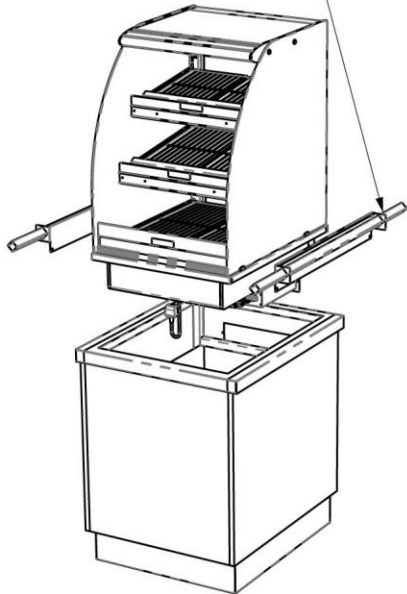
HEATED DROP-IN PÂTISSERIE - FITTING INSTRUCTIONS

**MODELS: PH6,9,12D
PH6,9,12FBD & PH6,9,12ASD**

A) WORKTOP CUT-OUT

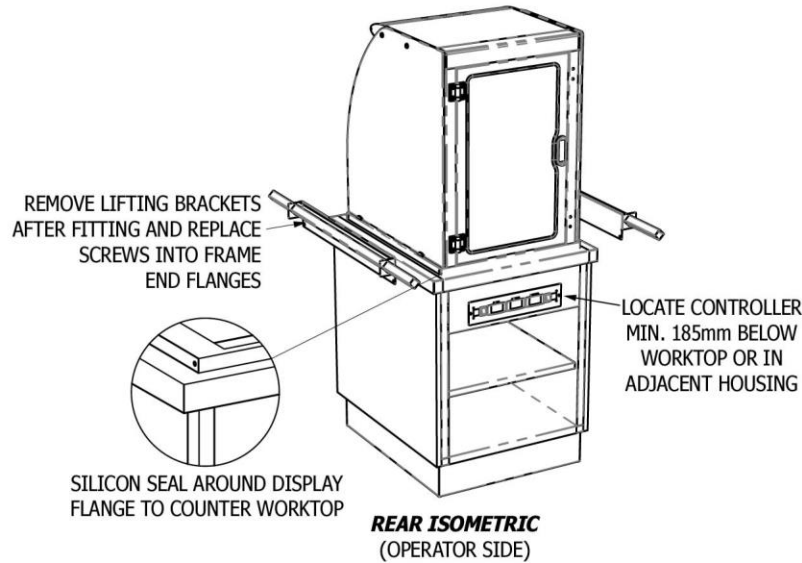
Model Ref.	Worktop Cut Out Size (mm)	
	Length	Width
PH6D, PH6FBD, PH6ASD	870	740
PH9D, PH9FBD, PH9ASD	1170	740
PH12D, PH12FBD, PH12ASD	1470	740

FIX LIFTING BRACKETS TO FRAME END FLANGES USING SCREWS ALREADY IN FLANGES, THEN LOCATE LIFTING BARS INTO SQUARE HOLES.



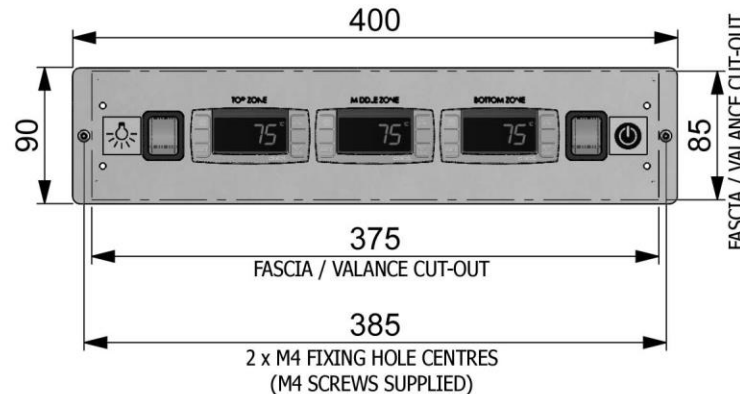
FRONT ISOMETRIC
(CUSTOMER SIDE)

B) FITTING INTO COUNTER WORKTOP



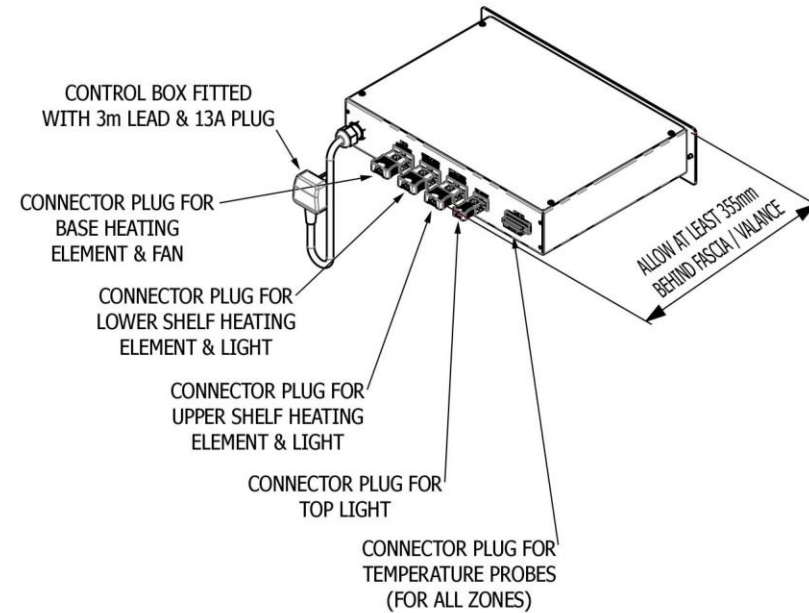
REAR ISOMETRIC
(OPERATOR SIDE)

D) CONTROL BOX MOUNTING DETAILS



* DO NOT SITE CONTROL PANEL ABOVE HEAT SOURCE OVER 40°C i.e. UNINSULATED HOT CUPBOARDS

C) CONNECTIONS TO CONTROL BOX



Tel. 01254 238 282 Fax. 01254 238 228
e-mail: aftersales@cedlimited.com