

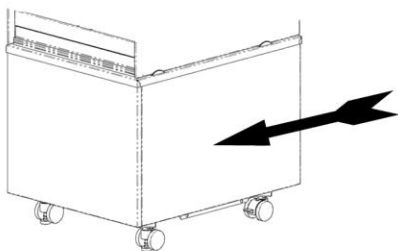


HEATED PATISSERIE - REAR DOOR - FITTING INSTRUCTIONS

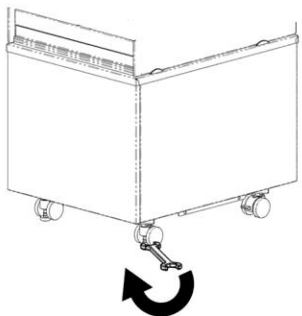
MODELS:
PH6,9,12 & PH6,9,12AS

FREE-STANDING APPLICATION

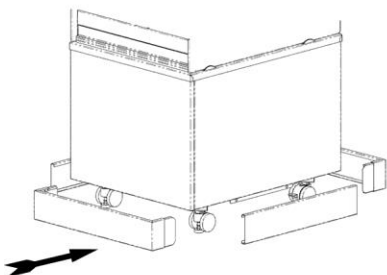
A) ROLL UNIT INTO POSITION UNIT SUPPLIED WITH CASTORS



B) ADJUST UNIT HEIGHT USING SUPPLIED SPANNER (ENSURE THE HALF NUT IS WOUND FULLY UPWARDS)



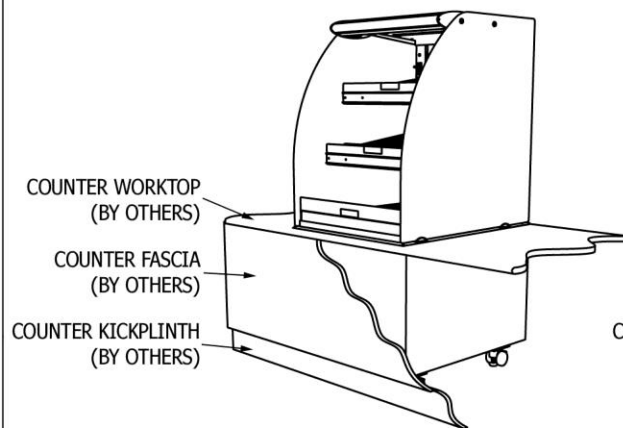
C) FIT KICK PLINTH FRONT & REAR LOCATES WITH MAGNETS



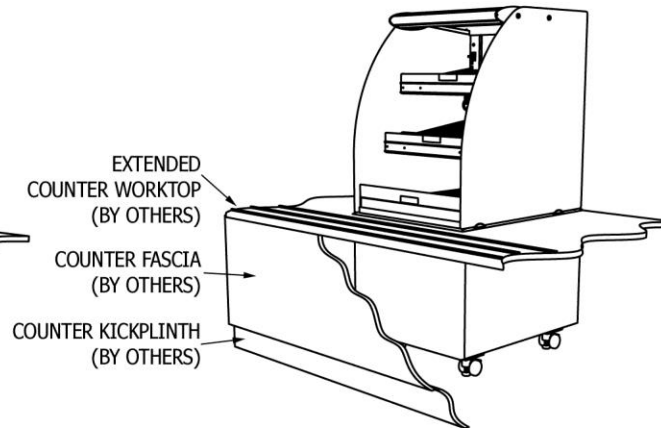
NOTE: OPTIONAL KICKPLINTH IS SUITABLE FOR LOWEST ADJUSTED UNIT HEIGHT

COUNTER LOCATED APPLICATION

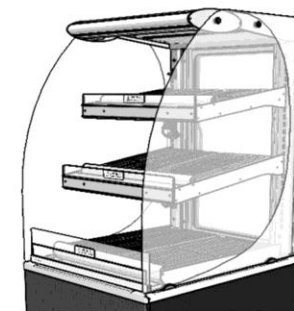
FLUSH FITTING FASCIA PANEL



STAND-OFF FASCIA PANEL



FITTING SHELVES



LOCATE SHELF SUPPORT BRACKETS INTO REAR SLOTS AT HEIGHT & ANGLE TO SUIT PRODUCTS
WIRE SHELF GRIDS MAY BE REMOVED TO GIVE GREATER BASE TEMPERATURE TO DISPLAYED PRODUCTS.



Tel. 01254 238 282 Fax. 01254 238 228
e-mail: aftersales@cedlimited.com