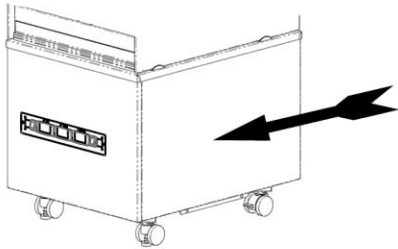
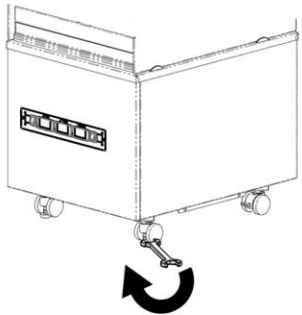


## FREE-STANDING APPLICATION

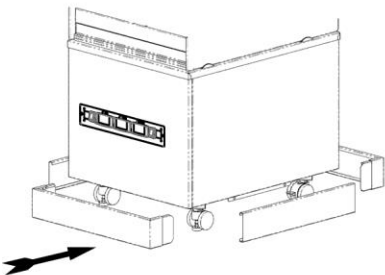
**A) ROLL UNIT INTO POSITION**  
UNIT SUPPLIED WITH CASTORS



**B) ADJUST UNIT HEIGHT**  
USING SUPPLIED SPANNER  
(ENSURE THE HALF NUT IS WOUND FULLY UPWARDS)



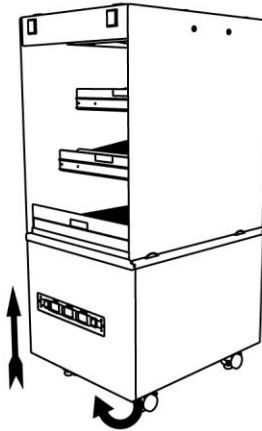
**C) FIT KICK PLINTH**  
FRONT & REAR LOCATES WITH MAGNETS



NOTE: OPTIONAL KICKPLINTH IS SUITABLE FOR LOWEST ADJUSTED UNIT HEIGHT

## COUNTER LOCATED APPLICATION (FASCIA PANEL BY OTHERS)

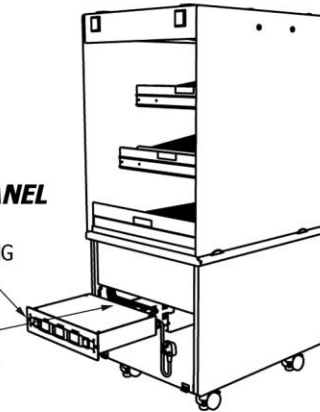
**A) REMOVE FRONT PANEL**  
LIFT FRONT PANEL OFF LOCATING TABS AND SWING OUT TO REMOVE



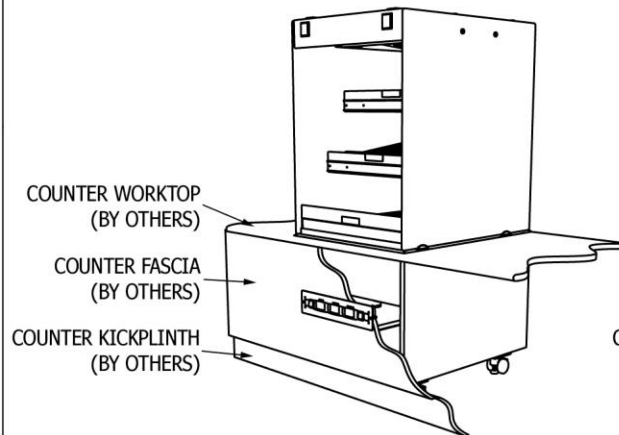
**B) RELOCATE CONTROL PANEL**

UNSCREW 2 x M4 FIXINGS, SLIDE OUT OF SUPPORT HOUSING AND RE-FIX TO FASCIA PANEL

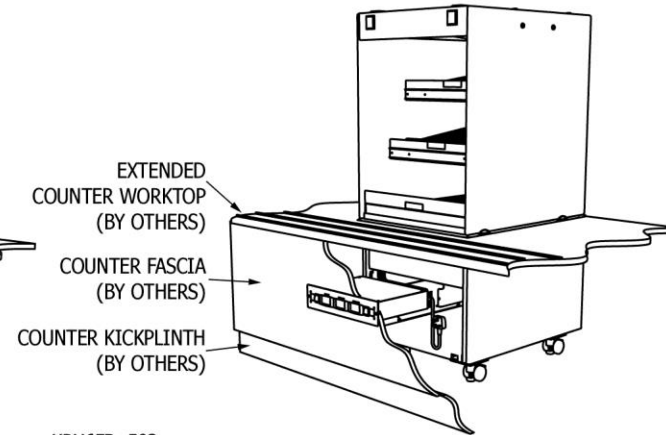
UN-PLUG ALL CONNECTORS FROM REAR OF CONTROL BOX, PASS THROUGH FASCIA PANEL APERTURE AND RE-CONNECT



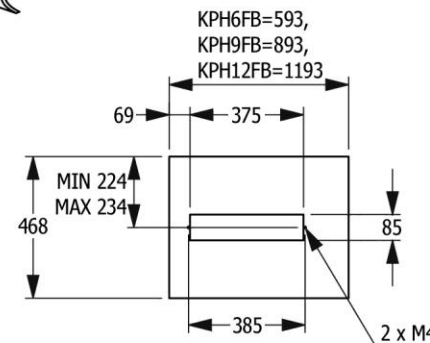
### FLUSH FITTING FASCIA PANEL



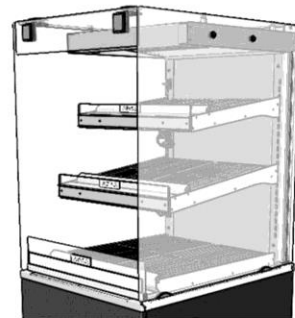
### STAND-OFF FASCIA PANEL



**SUGGESTED REMOVABLE FASCIA PANEL ROUTING (BY OTHERS)**



## FITTING SHELVES



LOCATE SHELF SUPPORT BRACKETS INTO REAR SLOTS AT HEIGHT & ANGLE TO SUIT PRODUCTS  
WIRE SHELF GRIDS MAY BE REMOVED TO GIVE GREATER BASE TEMPERATURE TO DISPLAYED PRODUCTS.