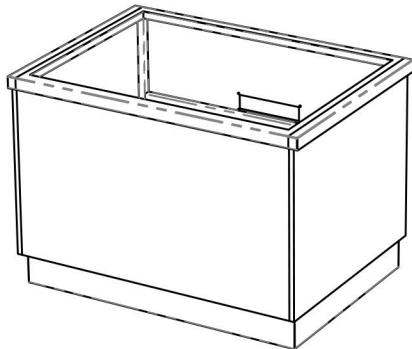
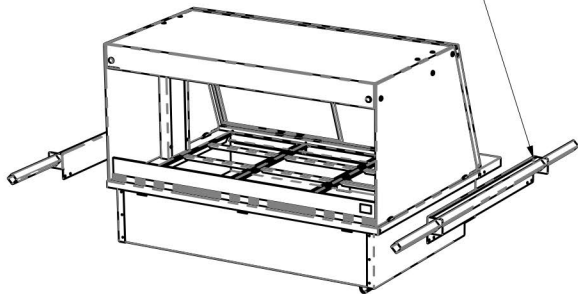


A) WORKTOP CUT-OUT

Model Ref.	Worktop Cut Out Size (mm)		Model Weight (in Kg)
	Length	Width	
SHDBM2	795	825	60
SHDBM3	1145	825	70
SHDBM4	1495	825	81
SHDBM5	1845	825	92

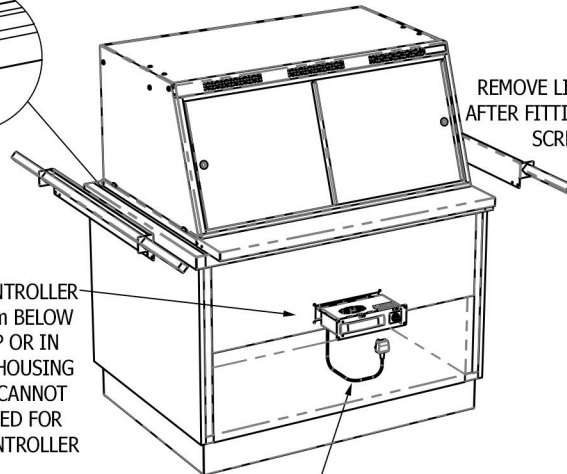
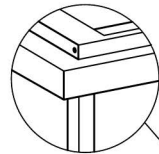
FIX LIFTING BRACKETS TO FRAME END FLANGES USING SCREWS ALREADY IN FLANGES, THEN LOCATE LIFTING BARS INTO SQUARE HOLES.



FRONT ISOMETRIC
(CUSTOMER SIDE)

B) FITTING INTO COUNTER WORKTOP

SILICON SEAL AROUND DISPLAY FLANGE TO COUNTER WORKTOP



REMOVE LIFTING BRACKETS AFTER FITTING AND REPLACE SCREWS INTO FRAME END FLANGES

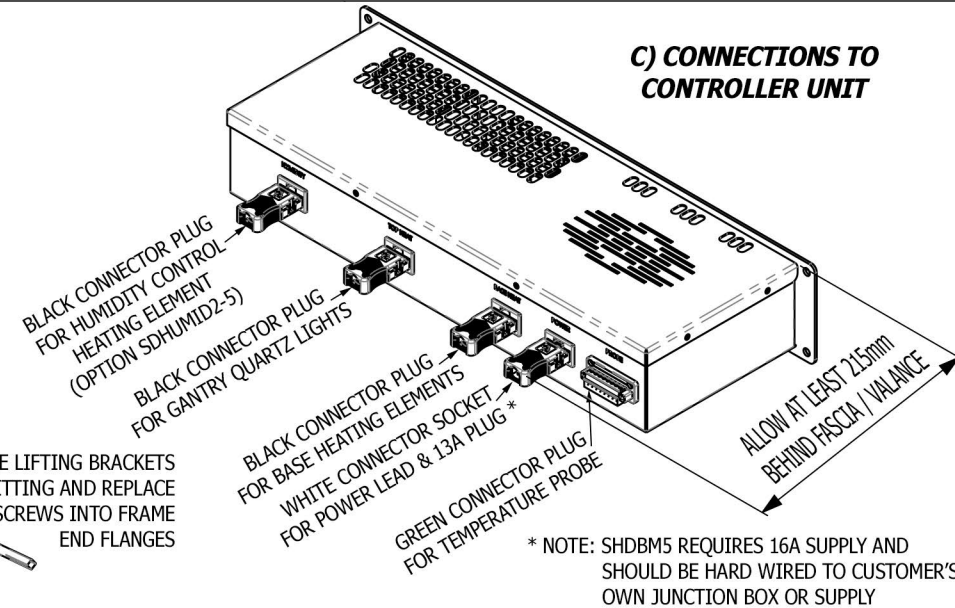
LOCATE CONTROLLER MIN. 300mm BELOW WORKTOP OR IN ADJACENT HOUSING IF 215mm CANNOT BE ALLOWED FOR BEHIND CONTROLLER

CONTROLLER UNIT FITTED WITH 2m LEAD & 13A PLUG *

REAR ISOMETRIC
(OPERATOR SIDE)

DO NOT SITE CONTROL PANEL ABOVE HEAT SOURCE OVER 40°C i.e. UNINSULATED HOT CUPBOARDS

C) CONNECTIONS TO CONTROLLER UNIT



* NOTE: SHDBM5 REQUIRES 16A SUPPLY AND SHOULD BE HARD WIRED TO CUSTOMER'S OWN JUNCTION BOX OR SUPPLY

D) CONTROLLER UNIT MOUNTING DETAILS

