



FEATURES

Download All Technical Drawings From www.cedfabsltd.co.uk

Model Sizes.

The Designline self help or assisted service drop in ambient patisserie is an open or closed glass front patisserie, available in 600mm, 900mm & 1200mm lengths, ideal for the display of wrapped and unwrapped morning goods, ambient produce and drinks.

3 Tier Shelving & Deck Storage Capacity.

The display features 3 toughened glass shelves (adjustable in height & angle) & a s/ steel bottle storage deck below. The glass shelving has product stops & 40mm(h) ticket strip holders to the front edge of each shelf.

LED Lighting.

Canopy & shelf lighting is provided in a low energy LED fitting with opaque cover, colour 4000k. Switched lighting control is provided in canopy head.

Model Type: Self Help Drop In Ambient Patisserie (Open Rear).

Serve over height open fronted self help display, with open rear loading to four display levels, each illuminated by 4000k LED lighting. Optional rear doors are available.

Model Type: Self Help Drop In Ambient Patisserie (Fixed Back).

This open fronted self help ambient patisserie is supplied for wall sited use, with stainless steel back panel for positioning in an alcove, a wall sited counter or back to back, forming a central island grab and go station!

Each of the four display levels are illuminated by 4000k LED lighting.

Model Type: Assisted Service Drop In Ambient Patisserie (Open Rear).

Features a curved full height glazed front screen that tilts forward for cleaning. Re-stocking access is through the open rear to all four display levels. Diffused LED lighting is included to each level. Optional factory fitted rear doors are available.

Panoramic Glass Sides & Serve Over Top Steel Panel.

Flat steel top panel allows for serve over operation & curved side glass panels add natural lighting.

Model Dimensions.

600mm/ 900mm & 1200mm (L) x 750mm (D) x 830mm (H) Above Wktop, 937mm (H) O/all.

Finishes.

Worktop & rear frame 430gd s/steel, deck area 304gd s/steel, toughened glass shelving, side glass & curved full front glass, if fitted.

Power Supply.

Supplied with 3m lead & 13 amp UK plug (13A 230v 50Hz).

Equipment Conformity. CE & UKCA Certified equipment.



Model PA12ASD



Model PA9FBD

Model PA12ASD

ABOUT

The open rear ambient patisserie is ideal for displaying confectionery, fruit, baked goods or drinks & forms part of the Designline range of 'drop in' serve over height patisseries - a choice of cold, hot & ambient commercial drop in displays that fit in servery counter worktops, to suit either self help or assisted service retail operations.

The open rear patisserie is available as self help or assisted serve with optional rear doors for loading. A wall sited self help model with fixed steel back panel is also offered.

The Designline self contained drop in display is available in three different lengths, with optional rear doors or fixed back panel, to lay out the equipment around your serving space.

The display comprises four ambient display levels, each illuminated by 4000k LED lighting - perfect for presentation of fruit and other morning goods. The display also features 3 tiers of sturdy glass shelving and a steel merchandising deck - each shelf is fitted with 40mm point of sale ticket strips.

A lighting switch is mounted in the gantry soffit, the ambient drop in display also has a 3m lead and a UK plug underneath.

OPTIONS

Rear Door

A factory fitted double glazed rear door is available to the open rear for restocking access, or to enclose to match adjacent Designline cold or heated drop in patisserie models.



Rear Door

Self Help (Drop In) Ambient Patisserie (Open Rear)

Code	Description	Dimensions (L x D x H mm)	Storage (Litres)	Door Option Code	Weight (kg)	Power Rating (kW)
PA6D	D.line D/In S.Help Amb. Patiss (Open Rear) 600	600 x 750 x 830/937	162 lt.	KDR6	110	0.1
PA9D	D.line D/In S.Help Amb. Patiss (Open Rear) 900	900 x 750 x 830/937	247 lt.	KDR9	150	0.1
PA12D	D.line D/In S.Help Amb. Patiss (Open Rear) 1200	1200 x 750 x 830/937	331 lt.	KDR12	190	0.1

Switched lighting control in canopy head

Model Description. Designline drop in self help ambient patisserie, open rear, 6/9/1200(l) x 750(d) x 830/937 (h), glass shelves (3) c/w ticket strips, steel display deck area (1), LED lighting to each tier, colour 4000k, canopy light switch, glazed curved side panels. S/ steel deck plates, recessed tank underneath drop in display, lighting switch mounted in gantry soffit, 3m lead, 13A 230v UK plug top.

Self Help (Drop In) Ambient Patisserie (Fixed Back)

Code	Description	Dimensions (L x D x H mm)	Storage (Litres)	Weight (kg)	Power Rating (kW)
PA6FBD	D.line D/In S.Help Ambient Patiss. (F.Back) 600	600 x 750 x 830/937	162 lt.	110	0.1
PA9FBD	D.line D/In S.Help Ambient Patiss. (F.Back) 900	900 x 750 x 830/937	247 lt.	150	0.1
PA12FBD	D.line D/In S.Help Ambient Patiss. (F.Back) 1200	1200 x 750 x 830/937	331 lt.	190	0.1

Switched lighting control in canopy head

Model Description. Designline drop in self help ambient patisserie, fixed s/steel back panel, 6/9/1200(l) x 750(d) x 830/937 (h), glass shelves (3) c/w ticket strips, steel display deck area (1), LED lighting to each tier, colour 4000k, canopy light switch, curved glazed side panels. S/ steel deck plates, recessed tank underneath drop in display, lighting switch mounted in gantry soffit, 3m lead, 13A 230v UK plug top.

Assisted Service (Drop In) Ambient Patisserie (Open Rear)

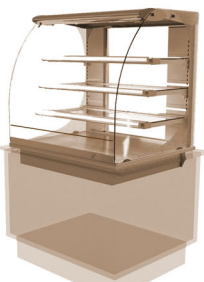
Code	Description	Dimensions (L x D x H mm)	Storage (Litres)	Door Option Code	Weight (kg)	Power Rating (kW)
PA6ASD	D.line D/In A.Serve Cold Patiss. (Open Rear) 600	600 x 750 x 830/937	162 lt.	KDR6	110	0.1
PA9ASD	D.line D/In A.Serve Cold Patiss. (Open Rear) 900	900 x 750 x 830/937	247 lt.	KDR9	150	0.1
PA12ASD	D.line D/In A.Serve Cold Patiss. (Open Rear) 1200	1200 x 750 x 830/937	331 lt.	KDR12	190	0.1

Model Description. Designline drop in ass. serve ambient patisserie, full height curved front glass c/w tilt hinge, open rear, 6/9/1200(l) x 750(d) x 830/937 (h), glass shelves (3) c/w ticket strips, steel display deck area (1), LED lighting to each tier, colour 4000k, canopy light switch, glazed curved side panels. S/ steel deck plates, recessed tank underneath drop in display, lighting switch mounted in gantry soffit, 3m lead, 13A 230v UK plug top.

Switched lighting control in canopy head



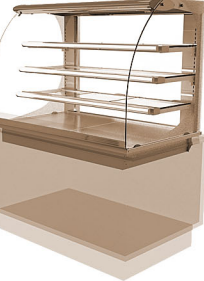
PA9D Shown



PA9FBD Shown



PA12ASD Shown





OPTIONS

Rear Door/s

Code Description

KDR6 Rear Door (D/In Self Help /Ass. Serve Patiss. Open Rear)
 KDR9 Rear Door (D/In Self Help /Ass. Serve Patiss. Open Rear)
 KDR12 Rear Door (D/In Self Help /Ass. Serve Patiss. Open Rear)

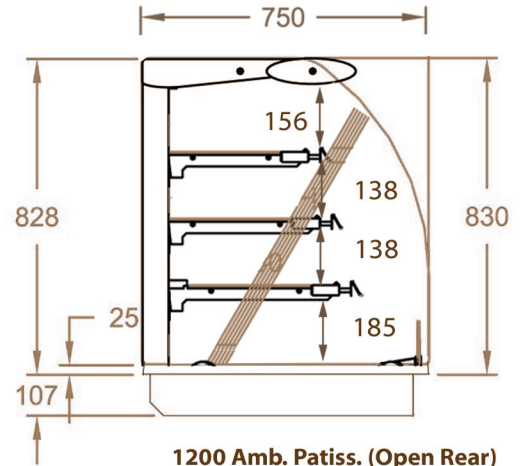
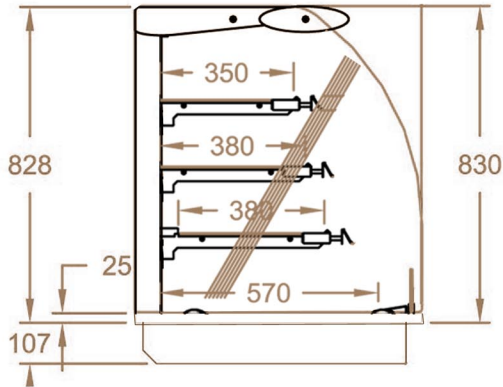
(Self Help/Ass. Serve Drop In Amb. Patiss - Open Rear)

For Model (Code)	Weight (kg)	Option Description.
PA6D - PA6ASD	3	Rear double glazed door/s added to open rear of model, to enclose rear open merchandising access.
PA9D - PA9ASD	3	Factory fit.
PA12D - PA12ASD	6	



Option: Rear Door

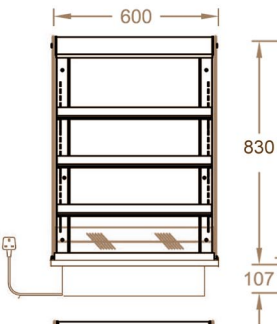
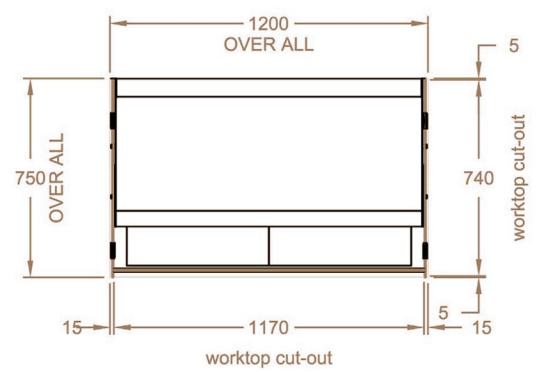
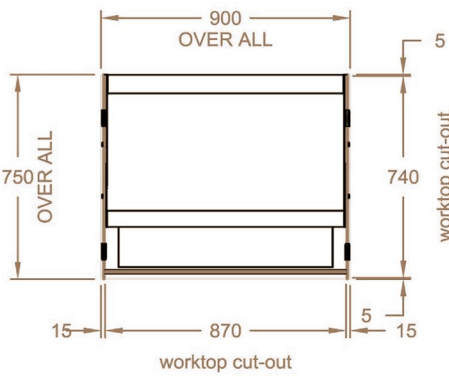
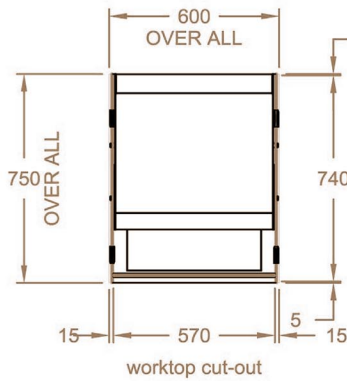
DIMENSIONS



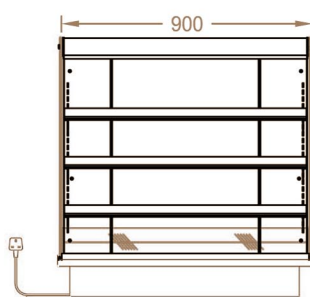
600 Amb. Patiss. (Open Rear)

900 Amb. Patiss. (Open Rear)

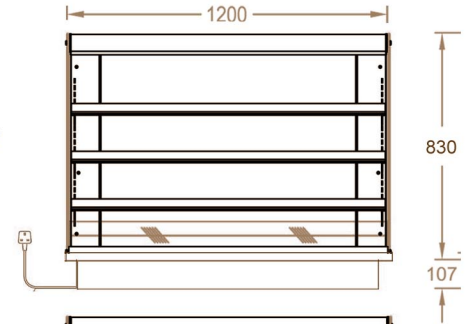
1200 Amb. Patiss. (Open Rear)



Front



Front



Rear



Rear

