



**Self Help Cold Patiss. 1200mm (Fixed Back)**  
(Air In Customer/ Out Op. Side Flue)

**Self Help Cold Patiss. 1200mm (Rear Doors)**  
(Air In Customer/ Out Op. Side)

## ABOUT

The energy efficient, environmentally friendly fan blown cold patisserie is part of the Designline range of 'drop in' serve over height patisseries - a choice of cold, hot & ambient commercial drop in displays that fit in servery counter worktops, to suit either self help or assisted service retail operations.

The cold patisserie circulates a constant stream of cold air throughout the display area, maintaining pre-chilled food between 2- 5 degrees C, just right for your fruit and vegetables, sandwiches, yoghurts, salads and cold drinks.

This flexible self contained display is available in five different lengths, with rear doors or a fixed back panel to position the equipment around your serving space.

The display comprises four chilled display levels each illuminated by 4000K colour LED lighting.

Digital temperature control, auto defrost & the auto condensate evaporation tray allow 24 hour operation if required. All Designline cold patisseries use a highly efficient, naturally occurring hydrocarbon refrigerant gas within hermetically sealed condensing units, which reduce energy consumption and your carbon footprint!

## OPTIONS

### (PAF2) Airflow Kit: (In/Out Operator Side)

Fan assisted venting duct avoids air grills to customer side of counter. Allows airflow venting in/ out operator side. Factory fit.

### (PAF1) Airflow Kit: (In/Out Customer Side)

(All models). Fan assisted venting duct that allows both air grills to customer side e.g. island counter/ where rear vent grille not suited. Allows airflow venting in/ out customer side. Factory fit.

### Controls To Customer Side

(Self Help Rear Door Models).

Allows controls to customer side where operator side position is not suited.

Option PAF2



## FEATURES

Download All Technical Drawings From [www.cedfabsltd.co.uk](http://www.cedfabsltd.co.uk)

### Model Sizes.

The Designline self help or assisted service drop in cold patisserie is an open or closed glass front cold patisserie, in 600mm, 900mm, 1200mm, 1500mm & 1800mm lengths.

### 3 Tier Shelving & Deck Storage Capacity.

The display features 3 chilled glass shelves (adjustable in height & angle) & chilled s/ steel bottle storage deck below. The toughened glass shelving has product stops & 40mm(h) ticket strip holder to the front edge of each shelf.

### LED Lighting.

Canopy & shelf lighting in a low energy LED fitting with opaque cover, colour 4000k.

### Model Type: Self Help Drop In Cold Patisserie (Rear Doors).

Re-stocking access is by energy efficient, side hinged double glazed rear doors.

Cold Airflow: In Customer/ Out Operator Side (All Sizes)

### Model Type: Self Help Drop In Cold Patisserie (Fixed Back).

This drop in cold patisserie is supplied for wall sited use with front control panel and stainless steel back panel for positioning in an alcove, a wall sited counter or back to back, forming a central island counter grab and go station!

Cold Airflow: In Customer/ Out Operator Side Via Rear Worktop Mounted Grille/ Rear Cradle Flue (All Sizes)

### Model Type: Assisted Service Drop In Cold Patisserie (Rear Doors).

Features a full glazed curved front screen that tilts forward for cleaning. Re-stocking access is through the energy efficient, side hinged double glazed rear doors.

Cold Airflow: In Customer/ Out Operator Side (All Sizes).

### Panoramic Glass Side & Serve Over Top Steel Panel.

Flat steel top panel allows for serve over operation & side glass panels add natural lighting.

### Model Dimensions.

600/ 900/ 1200/ 1500 & 1800 (L) x 750 (D), 830mm (H) Above Wktp. 1395mm (H) O/all.

### Refrigeration Type.

Integral fan blown, hydrocarbon r290 energy efficient refrigeration.

### System Design.

Auto defrost with 24 hour operation & digital temperature control.

### Temperature Performance.

0°C to 5°C (max 27°C ambient 55% humidity).

### Auto Drip Tray.

Integral auto evaporator condensate drip tray (float & micro switch). No site drainage req.

### Finishes.

Worktop & rear frame 430gd s/steel, deck area 304gd s/steel, toughened glass shelving.

### Power Supply.

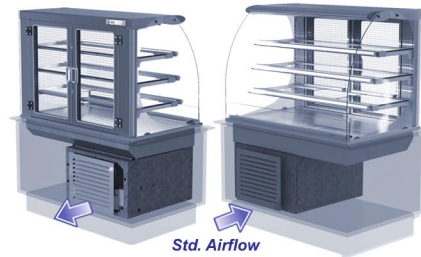
Supplied with 3m lead & 13 amp UK plug (13A 230v 50Hz).

### Environmental Benefits.

Hydrocarbon refrigeration system (r290) has low global warming potential (GWP) & zero ozone depletion potential (ODP)

**Equipment Conformity.** CE & UKCA Certified equipment.

## Self Help (Drop In) Cold Patisserie (Rear Doors)

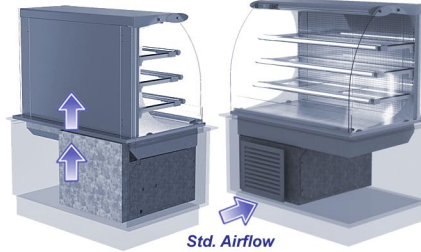


Std. Airflow

Code	Description	O/all Dims. (L x D x H mm)	Refrig. Airflow Air In/Out	Weight (kg)	Power Rating (kW)
PC6HTD	D.line S.Help D/In Cold Patiss. (R.Doors) 600	600 x 750 x 830/1395	In Cust./ Out Op. Side	141	1.32
PC9HTD	D.line S.Help D/In Cold Patiss. (R.Doors) 900	900 x 750 x 830/1395	In Cust./ Out Op. Side	188	1.54
PC12HTD	D.line S.Help D/In Cold Patiss. (R.Doors) 1200	1200 x 750 x 830/1395	In Cust./ Out Op. Side	240	1.68
PC15HTD	D.line S.Help D/In Cold Patiss. (R.Doors) 1500	1500 x 750 x 830/1395	In Cust./ Out Op. Side	294	1.71
PC18HTD	D.line S.Help D/In Cold Patiss. (R.Doors) 1800	1800 x 750 x 830/1395	In Cust./ Out Op. Side	346	1.76

**Model Description.** Designline self help drop in cold patiss. rear doors, 6/9/12/15/1800 (l) x 750(d) x 830/1395 (h), chilled glass shelves (3) c/w ticket strips, chilled deck area (1), fan blown, hydrocarbon r290 energy efficient refrigeration, LED lighting each tier, colour 4000k. Automatic defrost, 24 hour operation, auto evaporator condensate tray, glazed curved side panels & d/ glazed rear doors. Underslung condensing unit. Controls to operator side. Std. airflow in customer/ air out operator side. 13A 230v UK plug top, 3m lead.

## Self Help (Drop In) Cold Patisserie (Fixed Back)

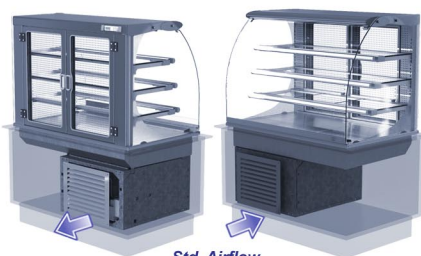


Std. Airflow

Code	Description	O/all Dims. (L x D x H mm)	Refrig. Airflow Air In/Out	Weight (kg)	Power Rating (kW)
PC6FBHTD	D.line S.Help D/In Cold Patiss. (F.Back) 600	600 x 750(+75) x 830/1395	In Cust./ Out Rear Wktp	141	1.32
PC9FBHTD	D.line S.Help D/In Cold Patiss. (F.Back) 900	900 x 750(+75) x 830/1395	In Cust./ Out Rear Wktp	188	1.54
PC12FBHTD	D.line S.Help D/In Cold Patiss. (F.Back) 1200	1200 x 750(+75) x 830/1395	In Cust./ Out Rear Wktp	240	1.68
PC15FBHTD	D.line S.Help D/In Cold Patiss. (F.Back) 1500	1500 x 750(+75) x 830/1395	In Cust./ Out Rear Wktp	294	1.71
PC18FBHTD	D.line S.Help D/In Cold Patiss. (F.Back) 1800	1800 x 750(+75) x 830/1395	In Cust./ Out Rear Wktp	346	1.76

**Model Description.** Designline self help drop in cold patiss. fixed back panel, 6/9/12/15/1800 (l) x 750(d) x 830/1395 (h), chilled glass shelves (3) c/w ticket strips (3), chilled deck area (1), fan blown, hydrocarbon r290 energy efficient refrigeration, LED lighting each tier, colour 4000k. Automatic defrost, 24 hour operation, auto evaporator condensate tray, glazed curved side panels, underslung condensing unit. Controls to customer side. Std. airflow in customer/ air out via rear worktop mounted grill & cradle flue. 13A 230v UK plug top, 3m lead.

## Assisted Service (Drop In) Cold Patisserie (Rear Doors)



Std. Airflow

Code	Description	O/all Dims. (L x D x H mm)	Refrig. Airflow Air In/Out	Weight (kg)	Power Rating (kW)
PC6ASHTD	D.line A.Serve D/In Cold Patiss. (R.Doors) 600	600 x 750 x 830/1395	In Cust./ Out Op. Side	144	1.17
PC9ASHTD	D.line A.Serve D/In Cold Patiss. (R.Doors) 900	900 x 750 x 830/1395	In Cust./ Out Op. Side	191	1.36
PC12ASHTD	D.line A.Serve D/In Cold Patiss. (R.Doors) 1200	1200 x 750 x 830/1395	In Cust./ Out Op. Side	243	1.57
PC15ASHTD	D.line A.Serve D/In Cold Patiss. (R.Doors) 1500	1500 x 750 x 830/1395	In Cust./ Out Op. Side	298	1.71
PC18ASHTD	D.line A.Serve D/In Cold Patiss. (R.Doors) 1800	1800 x 750 x 830/1395	In Cust./ Out Op. Side	349	1.76

**Model Description.** Designline ass. serve drop in cold patiss. rear doors, 6/9/12/15/1800 (l) x 750(d) x 830/1395 (h), chilled glass shelves (3) c/w ticket strips, chilled deck area (1), fan blown, hydrocarbon r290 energy efficient refrigeration, LED lighting each tier, colour 4000k. Automatic defrost, 24/7 operation, auto evaporator condensate tray, full height curved tilting front glass, curved glass side panels, d/ glazed rear doors. Underslung condensing unit. Controls to operator side. Std. airflow in customer/ air out operator side. 13A 230v UK plug, 3m lead.



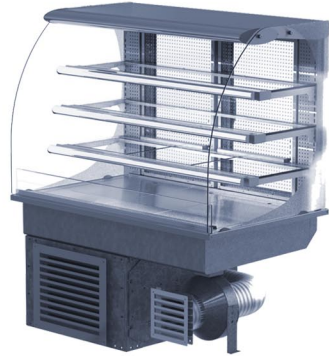


### (PAF2) Airflow Kit (In/ Out Operator Side)

Code	Description	Power +(kW)	Weight +(kg)	For Model Codes
PAF2	Fan Assisted Airflow Kit (In/Out Op. Side).	0.07	3	PC6HTD, PC6FBHTD, P66ASHTD, PC9HTD, PC9FBHTD, PC9ASHTD, PC12HTD, PC12FBHTD, PC12ASHTD, PC15HTD, PC15FBHTD, PC15ASHTD, PC18HTD, PC18FBHTD, PC18ASHTD.

### (All Drop In Cold Patisseries)

**Option Description.**  
Fan assisted Ø 100 metalised flexi venting duct with inline fan, avoids air grills to customer side of counter. Allows airflow venting in/ out op. side. Factory fit. Inline fan Ø 325.



### (PAF1) Airflow Kit (In/ Out Customer Side)

Code	Description	Power +(kW)	Weight +(kg)	For Model Codes
PAF1	Fan Assisted Airflow Kit (In/Out Customer.Side).	0.07	3	PC6HTD, PC6FBHTD, P66ASHTD, PC9HTD, PC9FBHTD, PC9ASHTD, PC12HTD, PC12FBHTD, PC12ASHTD, PC15HTD, PC15FBHTD, PC15ASHTD, PC18HTD, PC18FBHTD, PC18ASHTD.

### (All Drop In Cold Patisseries)

**Option Description.**  
Fan assisted Ø 100 metalised flexi venting duct with inline fan that allows both air grills to customer side e.g. island counter/ or where rear vent grille (doors models) or rear worktop grille (fix back models) not suited. Factory fit. Inline fan Ø 325.



### Gantry Controls (To Customer Side)

Code	Description	For Model (Code)
CUSP6	600 Controls To Customer Side (Self Help Patiss. Doors)	PC6HTD
CUSP9	900 Controls To Customer Side (Self Help Patiss. Doors)	PC9HTD
CUSP12	1200 Controls To Customer Side (Self Help Patiss. Doors)	PC12HTD
CUSP15	1500 Controls To Customer Side (Self Help Patiss. Doors)	PC15HTD
CUSP18	1800 Controls To Customer Side (Self Help Patiss. Doors)	PC18HTD

### (Self Help Drop In Cold Patiss. - Doors)

**Option Description.**  
Controls to customer side gantry: In lieu of std. operator side position.



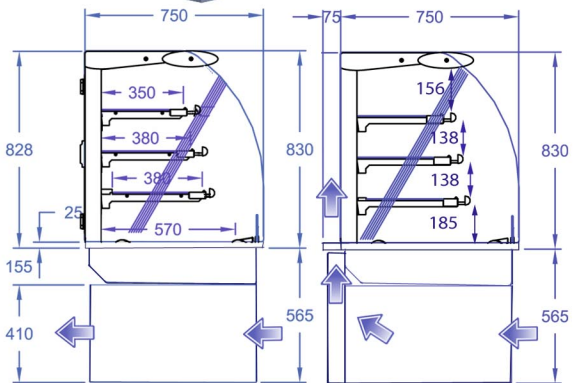
### Gantry Controls (To Operator Side)

Code	Description	For Model (Code)
COPP6	600 Controls To Customer Side (Self Help Patiss. F.Back)	PC6FBHTD
COPP9	900 Controls To Customer Side (Self Help Patiss. F.Back)	PC9FBHTD
COPP12	1200 Controls To Customer Side (Self Help Patiss. F.Back)	PC12FBHTD
COPP15	1500 Controls To Customer Side (Self Help Patiss. F.Back)	PC15FBHTD
COPP18	1800 Controls To Customer Side (Self Help Patiss. F.Back)	PC18FBHTD

### (Self Help Drop In Cold Patiss. - F. Back)

**Option Description.**  
Controls to operator side gantry: In lieu of std. customer side position.

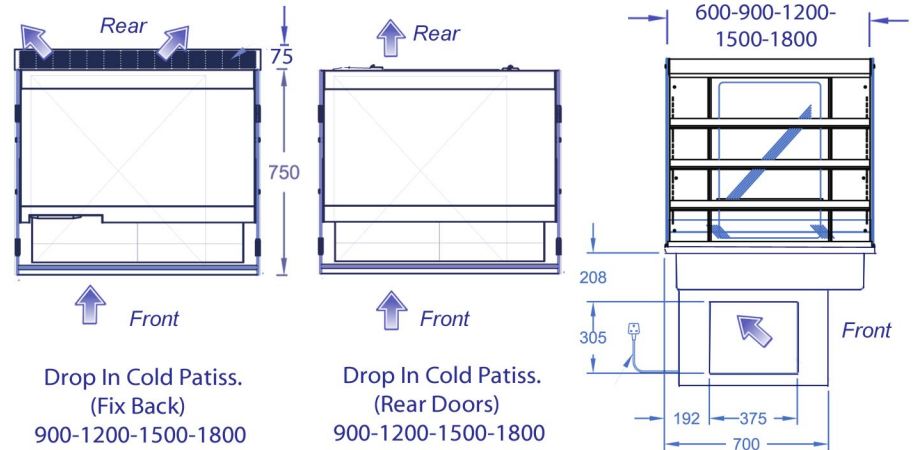
Drop In Cold Patiss. (Rear Door) - PC9HTD



Drop In Cold Patiss. (Rear Door) - PC9HTD

Drop In Cold Patiss. (Fix Back) - PC9FBHTD

### Standard Airflows



Drop In Cold Patiss. (Fix Back) 900-1200-1500-1800

Drop In Cold Patiss. (Rear Doors) 900-1200-1500-1800

