



## ABOUT

This energy efficient, wall sited hot merchandiser is factory pre-set at 75°C and offers customers a horizontal tier of individually controlled grab n' go hot food holding, within a minimal 763mm (w) x 726mm (d) x 500mm (h) footprint. The front facing controls allow wall sited use.

This 13A heated self help s/steel display is finished in a signature food safe black coating & is ideal for the display of pre-heated cooked food, packaged, cartoned or unwrapped heated product. The table top heated merchandiser features digitally controlled static shelf heating to maintain food core, whilst variable, jacketed infrared top heat surrounds the food surface. Removable s/ steel wire grid shelf covers allow heat circulation around packaged food types. Removable steel bar dividers, also included allow food to be stored in rows.

Panoramic product display is provided through glazed side panels which also offer environmental side draught protection. The temperature of the heated zone can be independently set using both the digital display & infrared top heat regulator, each mounted in the front of the base. Product temperature is maintained at 70 - 75°C in +18°C ambient.

An optional branded header panel with vinyl transfer can be provided.

This open faced, front loading merchandiser operates with a max. 1.33 kW power supply when the heating zone is operating. It is ergonomically designed with 'touch safe' extruded alluminum shelf and canopy edges to allow serve through or grab n' go use at counter top height.

The merchandiser can be used either wall sited or front of house as a short term food set down point, or a hot holding area for wrapped/ unwrapped pre-heated goods. The unit is stabilised with rubber feet and features a 2m lead and UK 13A plug top (230v 50 Hz). A 40mm (H) ticket strip mount is provided to the shelf front.

## FEATURES

### Model Size.

The DTTHMS2SW (wall sited) hot merchandiser is an open fronted hot display 763mm wide.

### Storage Capacity: Horizontal Hot Shelf With Overhead Heating.

The display features a single horizontal heated shelf, with overhead jacketed infrared top heat lamps. Both the upper & lower heat is independently controlled & features removable wire steel shelf grid covers, for use with packaged & cartoned heated produce. The display area is finished in food safe polyester coated steel. Removable steel bars allow food to be stored in rows. A 40mm (H) ticket strip mount is provided to the shelf front.

### Energy Saving Facility.

Both top heat and base heat are variable dependent on food type displayed (max. 1.33kW).

### Model Type: (Wall Sited) Self Help Hot Merchandiser (Open Rear).

Open fronted display for either short term food set down or grab n' go. Re-stocking access is by open front. The temperature of the heated zone can be independently set using it's own digital display & infrared top heat regulator, mounted in the front base

### Panoramic Glass Sides.

Side glass panels provide panoramic product display, offer environmental side draught protection. & add natural lighting.

### Model Dimensions.

763mm (L) x 726mm (D) x 500mm (H).

### Recessed Shelf Dimensions.

635mm (L) x 555mm (D) x 234mm (H). 40mm (H) ticket strip mount is fitted to shelf front.

### System Design.

Static heating maintains food core, whilst variable jacketed, overhead infrared top heat lamps surround the food surface. Stainless steel wire grid covers allow heat circulation around packaged food types. Removable steel bar dividers allow food to be stored in rows.

### Temperature Performance.

Factory set for 70 - 75°C (+18°C ambient), display zone temperature is adjustable.

### Temperature Controls.

Heated zone can be independently set using a digital display & infrared top heat regulator, mounted in the front base.

Mains power is controlled by separate neon on/off switch.

### Finishes.

430gd food safe polyester coated s/steel in black (Ral 9005). Toughened glass side screen panels. 2x removable stainless steel wire shelf grid covers, each 553 x 299mm.

### Power Supply.

Supplied with 2m lead & 13 amp UK plug (13A 230V 50Hz) 1.33 kW.

### Low Maintenance.

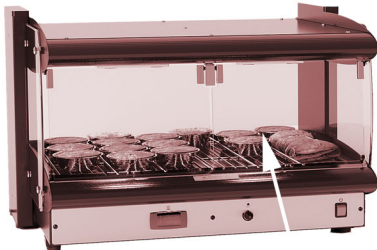
Easy, cleanable surfaces and a durable design ensure low maintenance for users.

**Equipment Conformity.** CE & UKCA Certified equipment.

## FOOD TYPES

### Food (Shelving Area):

Packaged or unwrapped fries, pies, pastries, noodles, rice, sausage rolls, hot dogs, stews, curry, chilli dishes, grilled sandwiches, hot baguettes, hot ciabatta, pasta in sauce, ribs with sauce, chicken portions, pizza slices.



Option DGDRS2SW  
Front Lift-Up Glass Doors

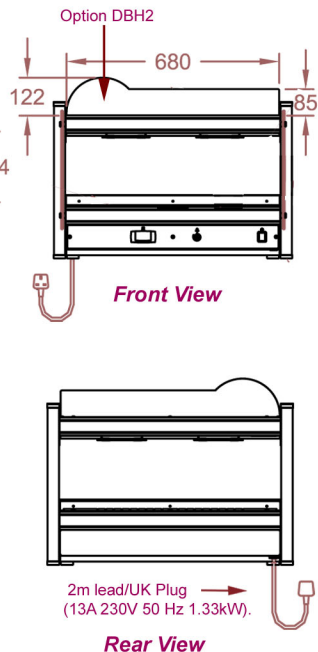
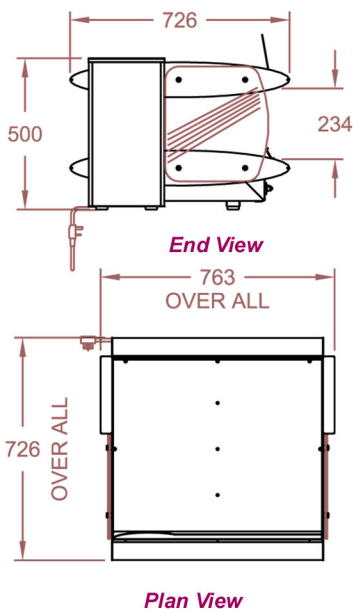
## SPECIFICATION

Code	Description	Dimensions (L x D x H mm)	Weight (kg)	Power Rating (kW)
DTTHMS2SW	(Wall Sited) 1 Straight Tier TT Hot Merch.	763 x 726 x 500	31	1.33

### Model Description.

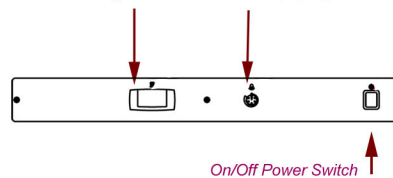
(Wall sited) hot table top merchandiser, self help, (1) flat heated shelf, (1) canopy head, open front & rear, 763mm W x 726mm D x 500mm H, variable static base heat & overhead jacketed infrared variable heat, heat zone operated by both variable digital control panel/ dimmer switch. Controls to front base. (1) polyester coated fixed angle shelf, (2) removable wire steel shelf covers, (5) removable s/steel rod shelf dividers, s/ steel construction finished in food safe polyester coated black (Ral 9005), 40mm (H) ticket strip mount to shelf front, toughened side glass, mounted on rubber feet, CE/UKCA, 2m lead/UK Plug (13A 230V 50 Hz 1.33kW).

## DIMENSIONS



### Control Panel Details

Base Heat Digital Controller      Infrared Heat Dimmer Switch



Shelf Display Dimensions  
635 (L) x 555 (D) x 234mm (H)



## OPTIONS

**(Option DBH2) Graphics Header Panel**  
Brand header graphics mounting panel, 680mm (w) x 122/85mm (h) – powder coated black

**(Option DVG2) Vinyl Graphic Label**  
Vinyl graphic label, 680mm (w) x 122/85mm (h), supplied to artwork provided. Applied to brand header graphics mounting panel. MOQ 10 units

**(Option DCOL2) Alternative Colour**  
Alternative ral colour to black (Ral 9005)

**(Option DGDRS2SW) Front Lift-Up Glass Doors**  
Hinged glass (6mm) lift up doors (set) 2 no.