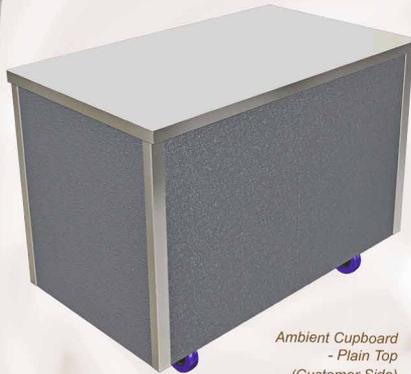




Ambient Cupboard
- Plain Top
(Operator Side)



Ambient Cupboard
- Plain Top
(Customer Side)

ABOUT

This durable ambient storage cupboard forms part of the Glide range of mobile dining carts - a choice of cold, hot & ambient commercial catering carts that combine to form a food severy counter solution as unique as your requirements !

The plain top ambient storage cupboard (no gantry) is made in 4 different sizes to suit your servery layout. The standard cupboard features a s/steel plain worktop with a rear cupboard under.

Behind the removable rear sliding s/steel cupboard doors, are two tiers of internal grid shelves for plate/ container storage. The cupboards accept plates, dishes or up to 10x 1-1 Gn size (200mm deep) gastronorm containers (not included), depending on cupboard size. The front/side base panels are finished in leathergrain plastisol steel, colour merlin grey (BS 18B25). Each model comes with lockable castors.

ACCESSORIES & FINISHES

Folding Steel Solid or Tubular Tray Slides.
Tray slides + 40mm (d) height = (h) - 50mm.

Selection Of Colour Finishes To Bases.
11 alternative choices of durable steel, colour & wood effect for the external front/ side base panels.

FEATURES

Download All Technical Drawings From
www.cedfabsltd.co.uk

Model Type.

The Glide ambient storage cupboard is a mobile plain top storage station with external full front/ side fascia panels, a s/steel worktop & a two tier wire rack shelf storage cupboard behind. Each shelf is adjustable in height and fully removable for cleaning. The operator side rear s/steel sliding doors are also removable.

Model Dimensions.

The cupboard is available as 2-1Gn (825mm), 3-1Gn (1175mm), 4-1Gn (1525mm) & 5-1 Gn (1875mm) long x 700mm (D), 900mm (H) & fitted with lockable heavy duty castors.

Model Finishes.

Base and outer end panels in plastisol steel, colour merlin grey. Worktop & rear facing internal surfaces in 430gd.s/steel.

Low Maintenance

Easy, cleanable surfaces and a durable design ensure low maintenance for users.

Finishes & Options

The cupboard can be customised with many accessories such as tray slides, tray rails, colour finishes, heated/ ambient or deli gantries and also low height versions for junior/ primary age use.

For use in alcoves or recesses, a wall sited version of this cupboard is also available c/w front cupboard doors, gantries & colour finishes for the base cupboard front.

(See separate model GWSACP2-5).

Suitability For Worktop Mounted Equipment.

The s/steel worktop is suitable for some worktop mounted equipment also.

Power Supply.

When used with a heated or ambient gantry, the cupboard is supplied with a 3m lead & 13 amp UK plug (13A 230v 50Hz).

Equipment Conformity. CE & UKCA Certified equipment (with electrical options).

GANTRY OPTIONS

Ambient/ Island Or Deli Gantry. LED reversible glass gantry or island gantry options can be added to increase food presentation space. The deli gantry option also includes a glass mid-shelf.

Heated Gantry.

Heated gantry option provides short term hot holding of plated meals under.



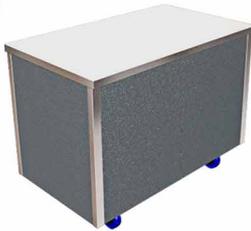
HEIGHT OPTIONS

Low Height Model (Glide Junior).

850mm or 800mm high options for junior/ primary use.



Operator Side



Customer Side

Glide Ambient Cupboard (Plain Top)

Code	Description	Capacity (Gn)	Dimensions (L x D x H mm)	Depth With Tray Slide Up/ Down	Weight (kg)
GACP2	Glide Plain Top Amb. Cupd No Gantry	2-1	825 x 700 x 900	1000/ 740mm	60
GACP3	Glide Plain Top Amb. Cupd No Gantry	3-1	1175 x 700 x 900	1000/ 740mm	70
GACP4	Glide Plain Top Amb. Cupd No Gantry	4-1	1525 x 700 x 900	1000/ 740mm	82
GACP5	Glide Plain Top Amb. Cupd No Gantry	5-1	1875 x 700 x 900	1000/ 740mm	91

Model Description. Glide mobile dining cart, plain top amb. store cupboard (no gantry), 700(d) x 900(h), plain worktop with cupb. under, removable rear sliding s/steel cupboard doors & internal adjustable height removable grid shelves, for plate/ Gn container storage, accepts plates, dishes & up to 200mm (h) 1-1 Gn container pans (not included), front/side base panels in leathergrain plastisol steel, colour merlin grey (BS 18B25), lockable castors.(Gantry/ Tray Rails Optional).

Glide S/Steel Folding Tubular Tray Rail

Code	Description	Capacity (Gn)	Dimensions (L x D x H mm)	Weight (kg)
GTTS2	Glide S/Steel Drop Down Tray Rail	2-1 Gn	825 x 298 x (base-55)	2
GTTS3	Glide S/Steel Drop Down Tray Rail	3-1 Gn	1175 x 298 x (base-55)	3
GTTS4	Glide S/Steel Drop Down Tray Rail	4-1 Gn	1525 x 298 x (base-55)	5
GTTS5	Glide S/Steel Drop Down Tray Rail	5-1 Gn	1875 x 298 x (base-55)	7

For Ambient Cupboard

Option Description.

S/steel tubular tray rail, 304 gd. Ø25 tube, drop down bracket type, up position depth + 298 mm to base unit, down position depth + 40mm to base unit. Trayslide height = base unit (h) - 55mm.

Glide S/Steel Folding Solid Tray Slide

Code	Description	Capacity (Gn)	Dimensions (L x D x H mm)	Weight (kg)
GSTS2	Glide S/Steel Drop Down Solid Tray Slide	2-1Gn	825 x 302 x (base-55)	3
GSTS3	Glide S/Steel Drop Down Solid Tray Slide	3-1Gn	1175 x 302 x (base-55)	5
GSTS4	Glide S/Steel Drop Down Solid Tray Slide	4-1Gn	1525 x 302 x (base-55)	7
GSTS5	Glide S/Steel Drop Down Solid Tray Slide	5-1Gn	1875 x 302 x (base-55)	9

For Ambient Cupboard

Option Description.

S/steel solid tray slide, drop down bracket type, up position depth + 302 mm to base unit, down position depth + 40mm to base unit. Trayslide height = base unit (h) - 55mm.



Ambient Cupboard (Plain Top)

FINISHES, HEIGHT & GANTRY OPTIONS



Low Height Model (Glide Junior) - 800/ 850mm (h)

Code	Description	Base Height (mm)	Optional Tray Slide Height (mm)
G800H**	Glide Base Unit 800mm Height	800	745
G850H	Glide Base Unit 850mm Height	850	795

**G800H Bespoke Option (With Extended lead Time)

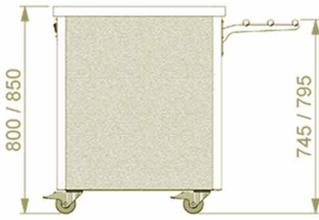
For Ambient Cupboard

Option Description.

Lower height option codes for junior/ primary use.

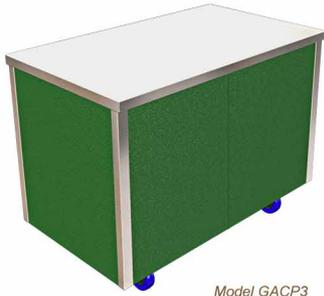
****800mm (h) base unit, c/w 100mm lockable castors.**
(Optional trayslide height becomes 745mm high)**

850mm (h) base unit, c/w 100mm lockable castors.
(Optional trayslide height becomes 795mm high).



Colour Finishes To Base Panels (Front & Sides)

Option Description. 11 choices of leathergrain plastisol steel colours/ wood effect laminated steel for front fascia panel/ external ends.



Model GACP3
Option GGRENCHA3 Shown



Model GACP3
Option GBEECCHA3 Shown

Code	Description	Capacity
Ocean Blue (BS 18C37)		
GBLUECHA2	Glide Blue Fascia - Ambient	2-1Gn
GBLUECHA3	Glide Blue Fascia - Ambient	3-1Gn
GBLUECHA4	Glide Blue Fascia - Ambient	4-1Gn
GBLUECHA5	Glide Blue Fascia - Ambient	5-1Gn
Goosewing Light Grey (BS 10A05)		
GGREYCHA2	Glide Grey Fascia - Ambient	2-1Gn
GGREYCHA3	Glide Grey Fascia - Ambient	3-1Gn
GGREYCHA4	Glide Grey Fascia - Ambient	4-1Gn
GGREYCHA5	Glide Grey Fascia - Ambient	5-1Gn
Poppy Red (BS 04E5B)		
GPREDCHA2	Glide Red Fascia - Ambient	2-1Gn
GPREDCHA3	Glide Red Fascia - Ambient	3-1Gn
GPREDCHA4	Glide Red Fascia - Ambient	4-1Gn
GPREDCHA5	Glide Red Fascia - Ambient	5-1Gn
White (BS 00E55)		
GWHITCHA2	Glide White Fascia - Ambient	2-1Gn
GWHITCHA3	Glide White Fascia - Ambient	3-1Gn
GWHITCHA4	Glide White Fascia - Ambient	4-1Gn
GWHITCHA5	Glide White Fascia - Ambient	5-1Gn
Wood Grain Effect Panels DL85 Walnut Finish		
GWALNCHA2	Glide Walnut Fascia - Ambient	2-1Gn
GWALNCHA3	Glide Walnut Fascia - Ambient	3-1Gn
GWALNCHA4	Glide Walnut Fascia - Ambient	4-1Gn
GWALNCHA5	Glide Walnut Fascia - Ambient	5-1Gn

Code	Description	Capacity
Satin S/Steel (430 gd.)		
GSSTLCHA2	Glide S/Steel Fascia - Ambient	2-1Gn
GSSTLCHA3	Glide S/Steel Fascia - Ambient	3-1Gn
GSSTLCHA4	Glide S/Steel Fascia - Ambient	4-1Gn
GSSTLCHA5	Glide S/Steel Fascia - Ambient	5-1Gn
Forest Green/Heritage (RAL 6002)		
GGRENCHA2	Glide Green Fascia - Ambient	2-1Gn
GGRENCHA3	Glide Green Fascia - Ambient	3-1Gn
GGRENCHA4	Glide Green Fascia - Ambient	4-1Gn
GGRENCHA5	Glide Green Fascia - Ambient	5-1Gn
Buttermilk Cream/ Honesty (BS 10C31)		
GCREMCHA2	Glide Cream Fascia - Ambient	2-1Gn
GCREMCHA3	Glide Cream Fascia - Ambient	3-1Gn
GCREMCHA4	Glide Cream Fascia - Ambient	4-1Gn
GCREMCHA5	Glide Cream Fascia - Ambient	5-1Gn
Black (BS 00E53)		
GBLAKCHA2	Glide Black Fascia - Ambient	2-1Gn
GBLAKCHA3	Glide Black Fascia - Ambient	3-1Gn
GBLAKCHA4	Glide Black Fascia - Ambient	4-1Gn
GBLAKCHA5	Glide Black Fascia - Ambient	5-1Gn
Wood Grain Effect Panels DL76 Beech Finish		
GBEECCHA2	Glide Beech Fascia - Ambient	2-1Gn
GBEECCHA3	Glide Beech Fascia - Ambient	3-1Gn
GBEECCHA4	Glide Beech Fascia - Ambient	4-1Gn
GBEECCHA5	Glide Beech Fascia - Ambient	5-1Gn

Code	Description	Capacity
Wood Grain Effect Panels DL84 Oak Finish		
GOAKCHA2	Glide Oak Fascia - Ambient	2-1Gn
GOAKCHA3	Glide Oak Fascia - Ambient	3-1Gn
GOAKCHA4	Glide Oak Fascia - Ambient	4-1Gn
GOAKCHA5	Glide Oak Fascia - Ambient	5-1Gn

Glide Ambient Gantry c/w LED Lighting (Self Help & A.Serve) For Ambient Cupboard

Code	Description	Capacity (Gn)	Dimensions (L x D x H mm)	Weight (kg)	Power (kW)
GAG2	Glide Amb Gantry S. Help/ A. Service	2-1Gn	825 x 700 x 397	7	0.008
GAG3	Glide Amb Gantry S. Help/ A. Service	3-1Gn	1175 x 700 x 397	9	0.014
GAG4	Glide Amb Gantry S. Help/ A. Service	4-1Gn	1525 x 700 x 397	12	0.016
GAG5	Glide Amb Gantry S. Help/ A. Service	5-1Gn	1875 x 700 x 397	16	0.022

Option Description.
Ambient gantry, s/steel, c/w LED lighting, opaque cover, colour 4000k, reversible single curved glass sneeze screen, self help or assisted serve use, + 397(h) above worktop, end glass.

Glide Ambient Deli Gantry c/w LED Lighting (Assisted Serve) For Ambient Cupboard

Code	Description	Capacity (Gn)	Dimensions (L x D x H mm)	Weight (kg)	Power (kW)
GADG2	Glide Amb. Deli Gantry A.Serve	2-1Gn	825 x 700 x 540	12	0.008
GADG3	Glide Amb. Deli Gantry A.Serve	3-1Gn	1175 x 700 x 540	17	0.014
GADG4	Glide Amb. Deli Gantry A.Serve	4-1Gn	1525 x 700 x 540	21	0.016
GADG5	Glide Amb. Deli Gantry A.Serve	5-1Gn	1875 x 700 x 540	26	0.022

Option Description.
Assisted service ambient deli gantry, s/steel, full height single curved glass front, end glass, glass mid shelf (not chilled), c/w LED gantry lighting, opaque cover, colour 4000k, ass. serve use, + 540 mm(h) above worktop.

Glide Ambient Island Gantry c/w LED Lighting (Self Help) For Ambient Cupboard

Code	Description	Capacity (Gn)	Dimensions (L x D x H mm)	Weight (kg)	Power (kW)
GAIG2	Glide Amb. Gantry Island Glass	2-1Gn	825 x 700 x 397	9	0.008
GAIG3	Glide Amb. Gantry Island Glass	3-1Gn	1175 x 700 x 397	11	0.014
GAIG4	Glide Amb. Gantry Island Glass	4-1Gn	1525 x 700 x 397	13	0.016
GAIG5	Glide Amb. Gantry Island Glass	5-1Gn	1875 x 700 x 397	18	0.022

Option Description.
Self help island gantry, s/steel, ambient, double curved sneeze screen glass, end glass, c/w LED gantry lighting, opaque cover, colour 4000k, self help use, + 397 mm(h) above worktop.





Ambient Cupboard (Plain Top)

HOT GANTRY & POPULAR CODES



Glide Heated Gantry c/w Infra Red Lamps (Self Help & A.Serve)

Code	Description	Capacity (Gn)	Dimensions (L x D x H mm)	Weight (kg)	Power (kW)
GHG2PTAC	Glide A Cupd Hot Gantry - H Duty Top	2-1Gn	825 x 700 x 397	7	0.4
GHG3PTAC	Glide A Cupd Hot Gantry - H Duty Top	3-1Gn	1175 x 700 x 397	9	0.6
GHG4PTAC	Glide A Cupd Hot Gantry - H Duty Top	4-1Gn	1525 x 700 x 397	12	0.8
GHG5PTAC	Glide A Cupd Hot Gantry - H Duty Top	5-1Gn	1875 x 700 x 397	16	1.0

For Ambient Cupboard

Option Description.

Hot gantry, s/steel, reversible single curved glass sneeze screen, self help/ ass. serve use, + 397(h) above worktop, reinforced worktop for heat, fitted with 200w quartz infra-red jacketed safety lamps.

Glide Ambient Cupbd. (& Tray Slide)

Model Code	Option Code	Description
GACP2	GSTS2	Glide Ambient Cupbd. & T/Slide 2-1Gn
GACP3	GSTS3	Glide Ambient Cupbd. & T/Slide 3-1Gn
GACP4	GSTS4	Glide Ambient Cupbd. & T/Slide 4-1Gn
GACP5	GSTS5	Glide Ambient Cupbd. & T/Slide 5-1Gn

Glide Ambient Cupbd. (& Tray Rail)

Model Code	Option Code	Description
GACP2	GTTS2	Glide Ambient Cupbd. & T/Rail 2-1Gn
GACP3	GTTS3	Glide Ambient Cupbd. & T/Rail 3-1Gn
GACP4	GTTS4	Glide Ambient Cupbd. & T/Rail 4-1Gn
GACP5	GTTS5	Glide Ambient Cupbd. & T/Rail 5-1Gn

Glide Ambient Cupbd. (& Amb. Gantry)

Model Code	Option Code	Description
GACP2	GAG2	Glide Amb.Cupbd. & Amb. Gantry 2-1Gn
GACP3	GAG3	Glide Amb.Cupbd. & Amb. Gantry 3-1Gn
GACP4	GAG4	Glide Amb.Cupbd. & Amb. Gantry 4-1Gn
GACP5	GAG5	Glide Amb.Cupbd. & Amb. Gantry 5-1Gn

*Requires 13A 230V Elec. Socket For LED Gantry Lights (Reversible Self Help/ Ass.Service Gantry)

Glide Ambient Cupbd. (& Amb. Deli Gantry)

Model Code	Option Code	Description
GACP2	GADG2	Glide Amb.Cupbd. & Amb. Deli Gantry 2-1Gn
GACP3	GADG3	Glide Amb.Cupbd. & Amb. Deli Gantry 3-1Gn
GACP4	GADG4	Glide Amb.Cupbd. & Amb. Deli Gantry 4-1Gn
GACP5	GADG5	Glide Amb.Cupbd. & Amb. Deli Gantry 5-1Gn

*Requires 13A 230V Elec. Socket For LED Gantry Lights (Assisted Service Gantry c/w Glass Mid Shelf)

Glide Ambient Cupbd. (& Island Gantry)

Model Code	Option Code	Description
GACP2	GAI2	Glide Amb.Cupbd. & Island Gantry 2-1Gn
GACP3	GAI3	Glide Amb.Cupbd. & Island Gantry 3-1Gn
GACP4	GAI4	Glide Amb.Cupbd. & Island Gantry 4-1Gn
GACP5	GAI5	Glide Amb.Cupbd. & Island Gantry 5-1Gn

*Requires 13A 230V Elec. Socket For LED Gantry Lights (Self Help Gantry)

Glide Amb. Cupbd. (& Gantry/Tray Rail/ Colour Finish)

Model Code	Option Code	Option Code	Option Code	Description
GACP2	GAG2	GTTS2	GPREDCHA2	Glide Amb.Cupbd./Gantry/T. Rail/(Red) 2-1
GACP3	GAG3	GTTS3	GPREDCHA3	Glide Amb.Cupbd./Gantry/T. Rail/(Red) 3-1
GACP4	GAG4	GTTS4	GPREDCHA4	Glide Amb.Cupbd./Gantry/T. Rail/(Red) 4-1
GACP5	GAG5	GTTS5	GPREDCHA5	Glide Amb.Cupbd./Gantry/T. Rail/(Red) 5-1

*Requires 13A 230V Elec. Socket For LED Gantry Lights (Reversible Self Help/ Ass.Service Gantry)

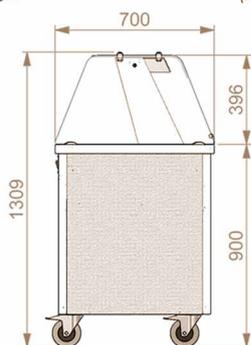
Glide Ambient Cupbd. (& Heated Gantry)

Model Code	Option Code	Description
GACP2	GHG2PTAC	Glide Amb. Cupbd + Hot Gantry 2-1Gn
GACP3	GHG3PTAC	Glide Amb. Cupbd + Hot Gantry 3-1Gn
GACP4	GHG4PTAC	Glide Amb. Cupbd + Hot Gantry 4-1Gn
GACP5	GHG5PTAC	Glide Amb. Cupbd + Hot Gantry 5-1Gn

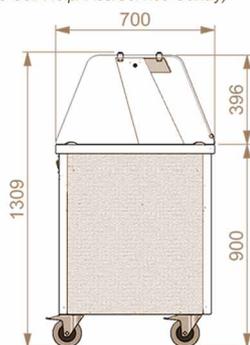
*Requires 13A 230V Elec. Socket For Quartz IR Gantry Lamps (Reversible Self Help/ Ass.Service Gantry)

Glide Ambient Cupbd. (& Tray Rail/ Colour Finish)

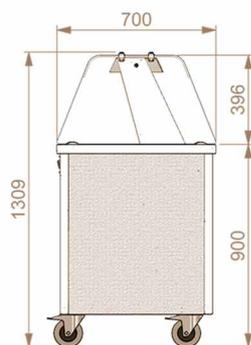
Model Code	Option Code	Option Code	Description
GACP2	GTTS2	GPREDCHA2	Glide Amb.Cupbd.+ T.Rail + (Colour Red) 2-1
GACP3	GTTS3	GPREDCHA3	Glide Amb.Cupbd.+ T.Rail + (Colour Red) 3-1
GACP4	GTTS4	GPREDCHA4	Glide Amb.Cupbd.+ T.Rail + (Colour Red) 4-1
GACP5	GTTS5	GPREDCHA5	Glide Amb.Cupbd.+ T.Rail + (Colour Red) 5-1



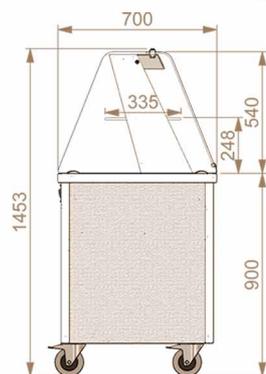
Glide Amb. Cupbd. (& Amb. Gantry)
Self Help Position



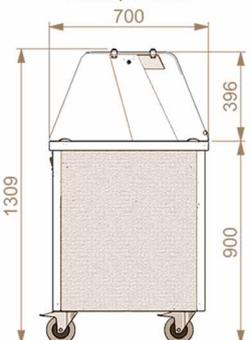
Glide Amb. Cupbd. (& Amb. Gantry)
Assisted Service Position



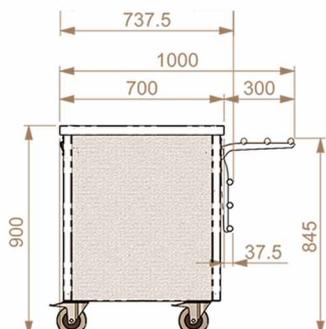
Glide Amb. Cupbd. (& Island Gantry)



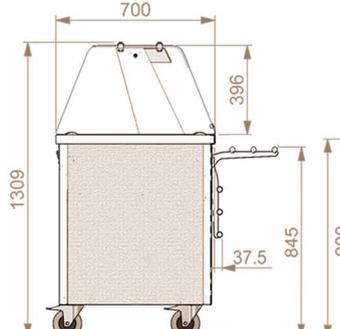
Glide Amb. Cupbd. (& Amb. Deli Gantry)



Glide Amb. Cupbd. (& Heated Gantry)



Glide Amb.Cupbd. (& Tray Rail)



Glide Amb. Cupbd. (& Gantry/Tray Rail)



*Gn Containers
Not Included