



Bain Marie Hot Cupboard (Dry Heat)



Dry Bain Marie Hot Cupboard (Operator Side)

Dry Bain Marie Hot Cupboard (Customer Side)

ABOUT

The dry heat bain marie & hot cupboard forms part of the Glide range of mobile dining carts - a choice of cold, hot & ambient commercial catering carts that combine to form a food service counter solution as unique as your requirements!

The bain marie hot cupboard (no gantry) features a bain marie section with removable container supports, formed in the worktop to accept up to 150mm deep Gn containers (not included). The containers are heated by both suspended elements and residual heat from the hot cupboard underneath. The hot cupboard uses fan blown heating to evenly distribute heat around the cupboard space. The model is made in 4 sizes to suit your servery layout.

Behind lift-off rear sliding s/steel cupboard doors, are two tiers of removable, height adjustable grid shelves for plate/ container storage. The wire shelves help distribute heat around the cupboard and support plate holding, dish storage or up to ten 1-1 Gn size (150mm deep) gastronorm containers (not included), depending on the cupboard size. The front/side base panels are finished in leathergrain plastisol steel, colour merlin grey (BS 18B25). Each model comes with lockable castors.

ACCESSORIES & FINISHES

Folding Steel Solid or Tubular Tray Slides.

Drop down tray rails or slides + 40mm (d) height = (h) - 55mm.

Selection Of Colour Finishes To Bases.

11 alternative choices of durable steel, colour & wood effect for the external front/ side base panels.

Selection Of Bain Marie Inserts.

A choice of glass hotplate adaptors for short term holding, a spiked carvery insert & dual 4 litre soup/ gravy container insert - for use with hot gantry option - are available.



GANTRY OPTIONS

Heated Gantry & Island Heated Gantry.

A reversible self help/ assisted service glass heated gantry or island gantry option provides top heat to the surface of food being held in the bain marie.

HEIGHT OPTIONS

Low Height Model (Glide Junior).

850mm or 800mm high options for junior/ primary use.



Download All Technical Drawings From www.cedfabsltd.co.uk

FEATURES

Model Type.

The Glide bain marie hot cupboard is a mobile bain marie & heated storage station with full front/ side fascia panels, a s/steel bain marie worktop & hot cupboard with two tier wire rack shelving below. Each shelf is adjustable in height and fully removable for cleaning. The operator side rear s/steel sliding doors are also removable.

Model Dimensions.

The BM hot cupboard is available as 2-1Gn (825mm), 3-1Gn (1175mm), 4-1Gn (1525mm) & 5-1 Gn (1875mm) long x 700mm (D), 900mm (H) & has locking heavy duty castors.

Model Finishes.

Base and outer end panels in plastisol steel, colour merlin grey. The bain marie worktop is made from 304 gd s/steel & the rear facing doors & surfaces are in 430gd.s/steel.

Low Maintenance.

Easy, cleanable surfaces and a durable design ensure low maintenance for users.

Finishes & Options.

The cupboard can be customised with many accessories such as tray slides, tray rails, colour finishes, heated/ island heated gantries, low height versions for junior/ primary age use & a selection of bain marie inserts and adaptors.

A wall sited version of this BM hot cupboard is also available, for alcoves or recesses, c/w front facing sliding s/steel doors, gantry & colour finishes for the base cupboard rear & sides. (See separate model GWSHBM2-5).

Power Supply.

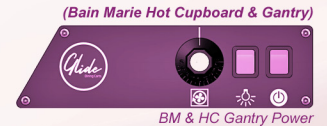
The cupboard is supplied with a 3m lead & 13 amp UK plug (230v 50Hz)

Equipment Conformity. CE & UKCA Certified equipment.

Temperature Controls.

The bain marie & fan assisted hot cupboard feature a thermostat control. Gantry options & mains power are operated by individual neon indicator switches.

(See Below)



Glide Dry Bain Marie Hot Cupboard (No Gantry)



Operator Side

Customer Side

Code	Description	Capacity (Gn)	Dimensions (L x D x H mm)	Depth With Tray Slide Up/ Down	Weight (kg)	Total Power (kW)	
						No Gantry	+ Hot Gantry
GHBM2	Glide Dry Bain.Marie Hot.Cupd No Gantry	2-1	825 x 700 x 900	1000/ 740mm	45	1.68	2.08
GHBM3	Glide Dry Bain.Marie Hot.Cupd No Gantry	3-1	1175 x 700 x 900	1000/ 740mm	67	1.73	2.33
GHBM4	Glide Dry Bain.Marie Hot.Cupd No Gantry	4-1	1525 x 700 x 900	1000/ 740mm	90	1.73	2.53
GHBM5	Glide Dry Bain.Marie Hot.Cupd No Gantry	5-1	1875 x 700 x 900	1000/ 740mm	112	2.23	3.23 16A

Model Description. Glide mobile dining cart, dry well bain marie top (no gantry), electric, suspended heat elements, 700(d) x 900(h), BM accommodates 1-1 Gn x 150mm (d) containers (not included), removable Gn container supports, fan assist. hot cupboard under with removable s/steel sliding doors & internal grid shelves for plate/ Gn container holding, front/side base panels in leathergrain plastisol steel, colour merlin grey (BS 18B25), lockable castors, control panel to operator side, 3m lead, 13A UK plug top. Bain Marie & H/cupb. feature thermostatic controls & neon mains power on/off switch. Gantry options are controlled by neon on/off switch. 230V 50Hz 13A Elec kW. (Gantry/ Tray Rails Optional) (5/1Gn model with hot gantry = 16A commando plug).

For best performance (no gantry model) use lids on Gn containers when not serving, stir food in containers regularly

Glide S/Steel Folding Tubular Tray Rail

Code	Description	Capacity (Gn)	Dimensions (L x D x H mm)	Weight (kg)	Option Description.
GTTS2	Glide S/Steel Drop Down Tray Rail	2-1 Gn	825 x 298 x (base-55)	2	S/steel tubular tray rail, 304 gd. Ø25 tube, drop down bracket type, up position depth + 298 mm to base unit, down position depth + 40mm to base unit. Trayslide height = base unit (h) - 55mm.
GTTS3	Glide S/Steel Drop Down Tray Rail	3-1 Gn	1175 x 298 x (base-55)	3	
GTTS4	Glide S/Steel Drop Down Tray Rail	4-1 Gn	1525 x 298 x (base-55)	5	
GTTS5	Glide S/Steel Drop Down Tray Rail	5-1 Gn	1875 x 298 x (base-55)	7	

For BM Hot Cupbd (No Gantry)

Glide S/Steel Folding Solid Tray Slide

Code	Description	Capacity (Gn)	Dimensions (L x D x H mm)	Weight (kg)	Option Description.
GSTS2	Glide S/Steel Drop Down Solid Tray Slide	2-1Gn	825 x 302 x (base-55)	3	S/steel solid tray slide, drop down bracket type, up position depth + 302 mm to base unit, down position depth + 40mm to base unit. Trayslide height = base unit (h) - 55mm.
GSTS3	Glide S/Steel Drop Down Solid Tray Slide	3-1Gn	1175 x 302 x (base-55)	5	
GSTS4	Glide S/Steel Drop Down Solid Tray Slide	4-1Gn	1525 x 302 x (base-55)	7	
GSTS5	Glide S/Steel Drop Down Solid Tray Slide	5-1Gn	1875 x 302 x (base-55)	9	

For BM Hot Cupbd (No Gantry)



Bain Marie Hot Cupboard (Dry Heat)

FINISHES, INSERTS,
HEIGHT & GANTRY OPTIONS



Low Height Model (Glide Junior) - 800/ 850mm (h)

Code	Description	Base Height (mm)	Optional Tray Slide Height (mm)
G800H**	Glide Base Unit 800mm Height	800	745
G850H	Glide Base Unit 850mm Height	850	795

**G800H Bespoke Option (With Extended lead Time)

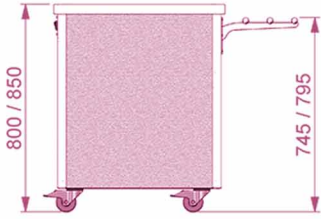
For BM Hot Cupbd (No Gantry)

Option Description.
Lower height option codes for junior/ primary use.
****800mm (h) base unit, c/w 100mm lockable castors.**
(Optional trayslide height becomes 745mm high)**

850mm (h) base unit, c/w 100mm lockable castors.
(Optional trayslide height becomes 795mm high).

Colour Finishes To Base Panels (Front & Sides)

Option Description. 11 choices of leathergrain plastisol steel colours/ wood effect laminated steel for front fascia panel/ external ends.



For BM Hot Cupbd (No Gantry)



Model GHBM3
Option GGRENCHA3 Shown



Model GHBM3
Option GBEECCHA3 Shown

Code	Description	Capacity
Ocean Blue (BS 18C37)		
GBLUECHA2	Glide Blue Fascia - Ambient	2-1Gn
GBLUECHA3	Glide Blue Fascia - Ambient	3-1Gn
GBLUECHA4	Glide Blue Fascia - Ambient	4-1Gn
GBLUECHA5	Glide Blue Fascia - Ambient	5-1Gn
Goosewing Light Grey (BS 10A05)		
GGREYCHA2	Glide Grey Fascia - Ambient	2-1Gn
GGREYCHA3	Glide Grey Fascia - Ambient	3-1Gn
GGREYCHA4	Glide Grey Fascia - Ambient	4-1Gn
GGREYCHA5	Glide Grey Fascia - Ambient	5-1Gn
Poppy Red (BS 04E5B)		
GPREDCHA2	Glide Red Fascia - Ambient	2-1Gn
GPREDCHA3	Glide Red Fascia - Ambient	3-1Gn
GPREDCHA4	Glide Red Fascia - Ambient	4-1Gn
GPREDCHA5	Glide Red Fascia - Ambient	5-1Gn
White (BS 00E55)		
GWHITCHA2	Glide White Fascia - Ambient	2-1Gn
GWHITCHA3	Glide White Fascia - Ambient	3-1Gn
GWHITCHA4	Glide White Fascia - Ambient	4-1Gn
GWHITCHA5	Glide White Fascia - Ambient	5-1Gn
Wood Grain Effect Panels DL85 Walnut Finish		
GWALNCHA2	Glide Walnut Fascia - Ambient	2-1Gn
GWALNCHA3	Glide Walnut Fascia - Ambient	3-1Gn
GWALNCHA4	Glide Walnut Fascia - Ambient	4-1Gn
GWALNCHA5	Glide Walnut Fascia - Ambient	5-1Gn

Code	Description	Capacity
Satin S/Steel (430 gd.)		
GSSTLCHA2	Glide S/Steel Fascia - Ambient	2-1Gn
GSSTLCHA3	Glide S/Steel Fascia - Ambient	3-1Gn
GSSTLCHA4	Glide S/Steel Fascia - Ambient	4-1Gn
GSSTLCHA5	Glide S/Steel Fascia - Ambient	5-1Gn
Forest Green/Heritage (RAL 6002)		
GGRENCHA2	Glide Green Fascia - Ambient	2-1Gn
GGRENCHA3	Glide Green Fascia - Ambient	3-1Gn
GGRENCHA4	Glide Green Fascia - Ambient	4-1Gn
GGRENCHA5	Glide Green Fascia - Ambient	5-1Gn
Buttermilk Cream/ Honesty (BS 10C31)		
GCREMCHA2	Glide Cream Fascia - Ambient	2-1Gn
GCREMCHA3	Glide Cream Fascia - Ambient	3-1Gn
GCREMCHA4	Glide Cream Fascia - Ambient	4-1Gn
GCREMCHA5	Glide Cream Fascia - Ambient	5-1Gn
Black (BS 00E53)		
GBLAKCHA2	Glide Black Fascia - Ambient	2-1Gn
GBLAKCHA3	Glide Black Fascia - Ambient	3-1Gn
GBLAKCHA4	Glide Black Fascia - Ambient	4-1Gn
GBLAKCHA5	Glide Black Fascia - Ambient	5-1Gn
Wood Grain Effect Panels DL76 Beech Finish		
GBEECCHA2	Glide Beech Fascia - Ambient	2-1Gn
GBEECCHA3	Glide Beech Fascia - Ambient	3-1Gn
GBEECCHA4	Glide Beech Fascia - Ambient	4-1Gn
GBEECCHA5	Glide Beech Fascia - Ambient	5-1Gn

GANTRY OPTIONS



Glide Heated Gantry c/w Infra Red Lamps (Self Help & A.Serve)

Code	Description	Capacity (Gn)	Dimensions (L x D x H mm)	Weight (kg)	Power (kW)
GHG2	Glide Hot Gantry S.Help/A.Serve	2-1Gn	825 x 700 x 397	7	0.4
GHG3	Glide Hot Gantry S.Help/A.Serve	3-1Gn	1175 x 700 x 397	9	0.6
GHG4	Glide Hot Gantry S.Help/A.Serve	4-1Gn	1525 x 700 x 397	12	0.8
GHG5	Glide Hot Gantry S.Help/A.Serve	5-1Gn	1875 x 700 x 397	16	1.0

For BM Hot Cupbd (No Gantry)

Option Description.
Hot gantry, s/steel, reversible curved glass sneeze screen, self help/ ass. serve use, + 397(h) above worktop, end glass, fitted with 200w quartz infra-red jacketed safety lamps.

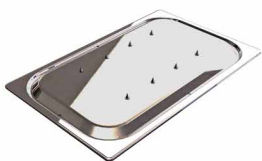
Glide Heated Island Gantry c/w Infra Red Lamps (Self Help)

Code	Description	Capacity (Gn)	Dimensions (L x D x H mm)	Weight (kg)	Power (kW)
GHIG2	Glide Hot Gantry Island Glass S.Help	2-1 Gn	825 x 700 x 397	9	0.4
GHIG3	Glide Hot Gantry Island Glass S.Help	3-1 Gn	1175 x 700 x 397	11	0.6
GHIG4	Glide Hot Gantry Island Glass S.Help	4-1 Gn	1525 x 700 x 397	13	0.8
GHIG5	Glide Hot Gantry Island Glass S.Help	5-1 Gn	1875 x 700 x 397	18	1.0

For BM Hot Cupbd (No Gantry)

Option Description.
Hot island gantry, s/steel, double curved glass sneeze screen, self help, + 397(h) above worktop, end glass, fitted with 200w quartz infra-red jacketed safety lamps.

BAIN MARIE INSERT



Glide Spiked Carving Insert (Bain Marie) - 1/1 Gn

Use With Heated Gantry Options

Code	Description	Capacity (Gn)	Dimensions (W x D x H mm)	Weight (kg)	Spikes (Qty)
GCINS1	Glide Carving Insert (B.Marie)	1-1 Gn	325 x 530 x 24	1	8

For BM Hot Cupbd (& Hot Gantry)

Option Description.
Carving Insert, 1/1 Gn, 325mm x 530mm x 24mm (h), removable spiked carving deck, removable juice collecting tray, for dry heat & wet bain marie.





Bain Marie Hot Cupboard (Dry Heat)



INSERTS & POPULAR CODES



Glide Hotplate Adaptor/ Soup Insert - 1-1 Gn

Use With Heated Gantry Options

Code	Description	Capacity (Gn)	Dimensions (W x D x H mm)	Weight (kg)
GHINS1	Glide Hot Glass Insert (B.Marie)	1-1 Gn	324 x 520 x 27	1
GSUPI4	Glide 2 x 4.5L Soup Insert (B.Marie)	1-1 Gn	325 x 520 x 64	2

For Dry BM Hot Cupbd (& Hot Gantry)

Option Description (Hot Glass Insert)
1-1 Gn hot glass insert, c/w s/steel surround collar, short term holding only, ideal for sauce dishes.

Option Description (Soup Insert).
1-1 Gn soup container insert c/w s/steel support collar, includes 2 no. 4.5 litre soup or gravy containers & lids.

Glide Dry Bain Marie Hot Cupboard (& Tray Slide)

Model Code	Option Code	Description	Total Power (kW)
GHBM2	GSTS2	Glide Dry BM HCupbd. & T/Slide 2-1	2.58
GHBM3	GSTS3	Glide Dry BM HCupbd. & T/Slide 3-1	2.83
GHBM4	GSTS4	Glide Dry BM HCupbd. & T/Slide 4-1	2.83
GHBM5	GSTS5	Glide Dry BM HCupbd. & T/Slide 5-1	2.83

**Requires 13A 230V Elec. Socket*

Glide Dry Bain Marie Hot Cupboard (& Heated Gantry & Tray Rail & Colour Finish)

Model Code	Option Code	Option Code	Option Code	Description	Total Power (kW)
GHBM2	GHG2	GTTS2	GPREDCHA2	BM HC/H.Gantry/T.Rail (Red) 2-1	2.08
GHBM3	GHG3	GTTS3	GPREDCHA3	BM HC/H.Gantry/T.Rail (Red) 3-1	2.53
GHBM4	GHG3	GTTS4	GPREDCHA4	BM HC/H.Gantry/T.Rail (Red) 4-1	2.73
GHBM5	GHG5	GTTS5	GPREDCHA5	BM HC/H.Gantry/T.Rail (Red) 5-1	2.93

**Requires 13A 230V Elec. Socket (Reversible Self Help/ Ass.Service Gantry)*

Glide Dry Bain Marie Hot Cupboard (& Tray Rail)

Model Code	Option Code	Description	Total Power (kW)
GHBM2	GTTS2	Glide Dry BM HCupbd. & T/ Rail 2-1	2.58
GHBM3	GTTS3	Glide Dry BM HCupbd. & T/ Rail 3-1	2.83
GHBM4	GTTS4	Glide Dry BM HCupbd. & T/ Rail 4-1	2.83
GHBM5	GTTS5	Glide Dry BM HCupbd. & T/ Rail 5-1	2.83

**Requires 13A 230V Elec. Socket*

Glide Dry Bain Marie Hot Cupboard (& Colour Finish)

Model Code	Option Code	Description	Total Power (kW)
GHBM2	GGRENCHA2	Glide Dry BM HCupbd.+(Green) 2-1	2.58
GHBM3	GGRENCHA3	Glide Dry BM HCupbd.+(Green) 3-1	2.83
GHBM4	GGRENCHA4	Glide Dry BM HCupbd.+(Green) 4-1	2.83
GHBM5	GGRENCHA5	Glide Dry BM HCupbd.+(Green) 5-1	2.83

**Requires 13A 230V Elec. Socket*

Glide Dry Bain Marie Hot Cupboard (& Heated Gantry)

Model Code	Option Code	Description	Total Power (kW)
GHBM2	GHG2	Glide Dry BM HCupbd. & Hot Gantry 2-1	2.08
GHBM3	GHG3	Glide Dry BM HCupbd. & Hot Gantry 3-1	2.53
GHBM4	GHG4	Glide Dry BM HCupbd. & Hot Gantry 4-1	2.73
GHBM5	GHG5	Glide Dry BM HCupbd. & Hot Gantry 5-1	2.93

**Requires 13A 230V Elec. Socket (S.Help/ Ass.Service Gantry)*

Glide Dry Bain Marie Hot Cupboard (& Heated Gantry & Tray Rail)

Model Code	Option Code	Option Code	Description	Total Power (kW)
GHBM2	GHG2	GTTS2	Glide Dry BM HCupbd. & Hot Gantry/ T.Rail 2-1	2.08
GHBM3	GHG3	GTTS3	Glide Dry BM HCupbd. & Hot Gantry/ T.Rail 3-1	2.53
GHBM4	GHG4	GTTS4	Glide Dry BM HCupbd. & Hot Gantry/ T.Rail 4-1	2.73
GHBM5	GHG5	GTTS5	Glide Dry BM HCupbd. & Hot Gantry/ T.Rail 5-1	2.93

**Requires 13A 230V Elec. Socket (Reversible Self Help/ Ass.Service Gantry)*

Glide Dry Bain Marie Hot Cupboard (& Heated Island Gantry)

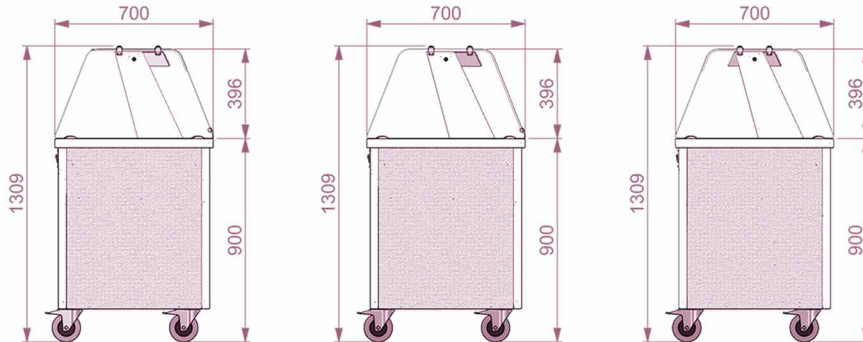
Model Code	Option Code	Description	Total Power (kW)
GHBM2	GHIG2	Glide Dry BM HCupbd. & Hot Isl.Gantry 2-1	2.08
GHBM3	GHIG3	Glide Dry BM HCupbd. & Hot Isl.Gantry 3-1	2.53
GHBM4	GHIG4	Glide Dry BM HCupbd. & Hot Isl.Gantry 4-1	2.73
GHBM5	GHIG5	Glide Dry BM HCupbd. & Hot Isl.Gantry 5-1	2.93

**Requires 13A 230V Elec. Socket (Self Help Gantry)*

Glide Dry Bain Marie Hot Cupboard (& Heated Gantry & Tray Slide)

Model Code	Option Code	Option Code	Description	Total Power (kW)
GHBM2	GHG2	GSTS2	Glide Dry BM HCupbd. & Hot Gantry/ T.Slide 2-1	2.08
GHBM3	GHG3	GSTS3	Glide Dry BM HCupbd. & Hot Gantry/ T.Slide 3-1	2.53
GHBM4	GHG4	GSTS4	Glide Dry BM HCupbd. & Hot Gantry/ T.Slide 4-1	2.73
GHBM5	GHG5	GSTS5	Glide Dry BM HCupbd. & Hot Gantry/ T.Slide 5-1	2.93

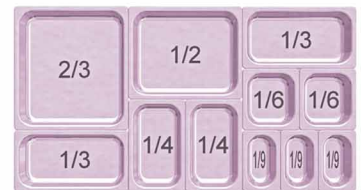
**Requires 13A 230V Elec. Socket (Reversible Self Help/ Ass.Service Gantry)*



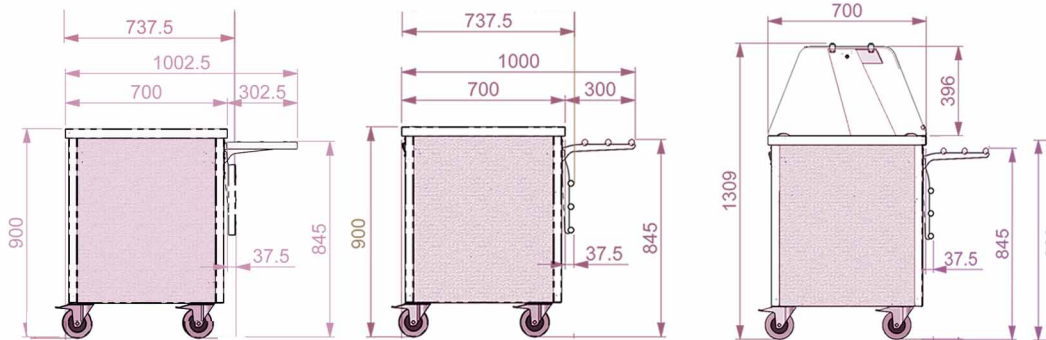
Glide BM Hot Cupbd. (& Hot Gantry) Self Help Position

Glide BM Hot Cupbd. (& Hot Gantry) Assisted Service Position

BM Hot Cupbd. (& Hot Island Gantry)



Glide Bain Marie Container Supports Allow Many Gn Container Sizes To Be Used. (3-1 Gn Model Shown)



Glide BM Hot Cupbd. (& Tray Slide)

Glide BM Hot Cupbd. (& Tray Rail)

Glide BM Hot Cupbd. (& Hot Gantry/Tray Rail) Self Help Position



*Gn Containers Not Included