



# Bain Marie Hot Cupboard (Wet & Dry Heat)



Wet & Dry Bain Marie Hot Cupboard (Operator Side)

Wet & Dry Bain Marie Hot Cupboard (Customer Side)

## ABOUT

The wet & dry heat bain marie hot cupboard forms part of the Glide range of mobile dining carts - a choice of cold, hot & ambient commercial catering carts that combine to form a food service counter solution as unique as your requirements !

The wet & dry bain marie hot cupboard (no gantry) features a bain marie section with removable container supports, formed in the worktop to accept up to 150mm deep Gn pans (not included). The Gn pans can be heated by either dry heat or by water from a filled tank with suspended heat elements underneath. A water level fill indicator & manual swivel drain are included. The hot cupboard underneath uses fan blown heating to evenly distribute heat around the cupboard space. The model is made in 4 sizes to suit your servery layout.

Behind lift-off rear sliding s/steel hot cupboard doors, are two tiers of removable, height adjustable grid shelves for plate/ container storage. The wire shelves distribute heat around the cupboard and support plate holding, dish storage or up to ten 1-1 Gn size (150mm deep) gastronorm containers (not included), depending on the cupboard size. The front/side base panels are finished in leathergrain plastisol steel, colour merlin grey (BS 18B25), Each model comes with lockable castors.

## ACCESSORIES & FINISHES

### Folding Steel Solid or Tubular Tray Slides.

Drop down tray rails or slides + 40mm (d) height = (h) - 55mm.

### Selection Of Colour Finishes To Bases.

11 alternative choices of durable steel, colour & wood effect for the external front/ side base panels.

### Selection Of Bain Marie Inserts.

A choice of glass hotplate adaptors for short term holding, a spiked carvery insert & dual 4 litre soup/ gravy container insert - for use with hot gantry option - are available.



## GANTRY OPTIONS

### Heated Gantry & Island Heated Gantry.

A reversible self help/ assisted service glass heated gantry or island gantry option provides top heat to the surface of food being held in the bain marie.

## HEIGHT OPTIONS

### Low Height Model (Glide Junior).

850mm or 800mm high options for junior/ primary use.



Download All Technical Drawings From [www.cedfabsltd.co.uk](http://www.cedfabsltd.co.uk)

## FEATURES

### Model Type.

The Glide wet & dry bain marie hot cupboard is a mobile bain marie & hot cupboard with full front/ side fascia panels. The s/steel bain marie worktop has welded tank, fill level indicator & swivel drain under. Heating elements are suspended under the tank to allow dry or wet use. The fan assisted hot cupboard has two tier wire rack shelving. Each shelf is adjustable in height and removes for cleaning. The rear s/steel sliding doors also remove.

### Model Dimensions.

The wet & dry BM hot cupboard is available as 2-1Gn (825mm), 3-1Gn (1175mm), 4-1Gn (1525mm) & 5-1 Gn (1875mm) long x 700mm (D), 900mm (H) & has locking castors.

### Model Finishes.

Base and outer end panels in plastisol steel, colour merlin grey. The bain marie worktop & tank are made from 304 gd s/steel & the rear facing doors & surfaces are in 430gd.s/steel.

### Finishes & Options.

The wet & dry BM hot cupboard can be customised with many accessories, like tray slides, tray rails, colour finishes, heated/ island gantries, low height versions for junior/ primary age use & a selection of bain marie inserts and adaptors.

A wall sided version of this BM hot cupboard is also available, for alcoves or recesses, c/w front facing sliding s/steel doors, gantry & colour finishes for the base cupboard rear & sides. (See separate model GWSHBMW2-5).

### Power Supply.

The cupboard is supplied with a 3m lead & 13 amp UK plug (13A 230v 50Hz) / 5-1Gn = 16A. Models with hot gantry above 3kW are fitted with either 16A or 32A commando plug.

### Equipment Conformity.

CE & UKCA Certified equipment.

### Temperature Controls.

The independently controlled bain marie & fan assisted hot cupboard each have thermostat control. Gantry option & mains power are operated by individual neon indicator switches.



Operator Side

Customer Side

## Glide Wet Or Dry Bain Marie Hot Cupboard (No Gantry)

Code	Description	Capacity (Gn)	Dimensions (L x D x H mm)	Depth With Tray Slide Up/ Down	Weight (kg)	Total Power (kW)	
						No Gantry	+ Hot Gantry
GHBMW2	Glide Wet/Dry BM Hot.Cupd (No Gantry)	2-1	825 x 700 x 900	1000/ 740mm	49	2.43	2.83 16A
GHBMW3	Glide Wet/Dry BM Hot.Cupd (No Gantry)	3-1	1175 x 700 x 900	1000/ 740mm	69	2.53	3.13 16A
GHBMW4	Glide Wet/Dry BM Hot.Cupd (No Gantry)	4-1	1525 x 700 x 900	1000/ 740mm	92	2.53	3.33 16A
GHBMW5	Glide Wet/Dry BM Hot.Cupd (No Gantry)	5-1	1875 x 700 x 900	1000/ 740mm	114	3.03 16A	4.03 32A

\*Models with the hot gantry option above 3kW are fitted with either 16A or 32A commando plug\*

**Model Description.** Glide mobile dining cart, wet & dry well bain marie top (no gantry), electric, suspended heat elements, 700(d) x 900(h), BM accommodates 1-1 Gn 150mm (d) containers (not included), removable Gn container supports, BM features welded tank, manual fill, water level indicator, swivel arm drain. Fan assisted hotcupboard below with removable s/steel sliding doors (operator side) & internal grid shelves for plate/ Gn container holding. Front/side base panels in leathergrain plastisol steel, colour merlin grey (BS 18B25), lockable castors, control panel to operator side, 3m lead.

Wet/dry Bain Marie & H/cupb. each have thermostatic control, neon mains power on/off switch. Gantry options are controlled by neon on/off switch. Electrical supply 230V 50Hz: No gantry model = 13A UK plug top/ 16A commando plug. + hot gantry model = 16/ 32A commando plug (Gantry/ Tray Rails Optional).

\*For best performance (no gantry) always use lids on Gn containers when not serving, stir food in containers regularly\*

## Glide S/Steel Folding Tubular Tray Rail

Code	Description	Capacity (Gn)	Dimensions (L x D x H mm)	Weight (kg)
GTTS2	Glide S/Steel Drop Down Tray Rail	2-1 Gn	825 x 298 x (base-55)	2
GTTS3	Glide S/Steel Drop Down Tray Rail	3-1 Gn	1175 x 298 x (base-55)	3
GTTS4	Glide S/Steel Drop Down Tray Rail	4-1 Gn	1525 x 298 x (base-55)	5
GTTS5	Glide S/Steel Drop Down Tray Rail	5-1 Gn	1875 x 298 x (base-55)	7

## Wet/Dry BM Hot Cupbd (No Gantry)

**Option Description.** S/steel tubular tray rail, 304 gd. Ø25 tube, drop down bracket type, up position depth + 298 mm to base unit, down position depth + 40mm to base unit. Tray slide height = base unit (h) - 55mm.

## Glide S/Steel Folding Solid Tray Slide

Code	Description	Capacity (Gn)	Dimensions (L x D x H mm)	Weight (kg)
GSTS2	Glide S/Steel Drop Down Solid Tray Slide	2-1Gn	825 x 302 x (base-55)	3
GSTS3	Glide S/Steel Drop Down Solid Tray Slide	3-1Gn	1175 x 302 x (base-55)	5
GSTS4	Glide S/Steel Drop Down Solid Tray Slide	4-1Gn	1525 x 302 x (base-55)	7
GSTS5	Glide S/Steel Drop Down Solid Tray Slide	5-1Gn	1875 x 302 x (base-55)	9

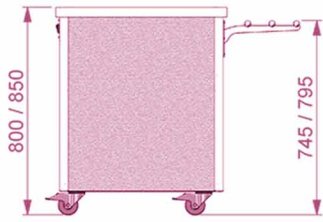
## Wet/Dry BM Hot Cupbd (No Gantry)

**Option Description.** S/steel solid tray slide, drop down bracket type, up position depth + 302 mm to base unit, down position depth + 40mm to base unit. Tray slide height = base unit (h) - 55mm.



# Bain Marie Hot Cupboard (Wet & Dry Heat)

FINISHES, INSERTS,  
HEIGHT & GANTRY OPTIONS



## Low Height Model (Glide Junior) - 800/ 850mm (h)

Code	Description	Base Height (mm)	Optional Tray Slide Height (mm)
G800H**	Glide Base Unit 800mm Height	800	745
G850H	Glide Base Unit 850mm Height	850	795

\*\*G800H Bespoke Option (With Extended lead Time)

## Wet/Dry BM Hot Cupbd (No Gantry)

### Option Description.

Lower height option codes for junior/ primary use.

**\*\*800mm (h) base unit, c/w 100mm lockable castors.**  
(Optional trayslide height becomes 745mm high)\*\*

**850mm (h) base unit, c/w 100mm lockable castors.**  
(Optional trayslide height becomes 795mm high).

## Colour Finishes To Base Panels (Front & Sides)

Option Description. 11 choices of leathergrain plastisol steel colours/ wood effect laminated steel for front fascia panel/ external ends.



Model GHBMW3  
Option GGRENCHA3 Shown



Model GHBMW3  
Option GBEECCHA3 Shown

Code	Description	Capacity
<b>Ocean Blue (BS 18C37)</b>		
GBLUECHA2	Glide Blue Fascia - Ambient	2-1Gn
GBLUECHA3	Glide Blue Fascia - Ambient	3-1Gn
GBLUECHA4	Glide Blue Fascia - Ambient	4-1Gn
GBLUECHA5	Glide Blue Fascia - Ambient	5-1Gn
<b>Goosewing Light Grey (BS 10A05)</b>		
GGREYCHA2	Glide Grey Fascia - Ambient	2-1Gn
GGREYCHA3	Glide Grey Fascia - Ambient	3-1Gn
GGREYCHA4	Glide Grey Fascia - Ambient	4-1Gn
GGREYCHA5	Glide Grey Fascia - Ambient	5-1Gn
<b>Poppy Red (BS 04E5B)</b>		
GPREDCHA2	Glide Red Fascia - Ambient	2-1Gn
GPREDCHA3	Glide Red Fascia - Ambient	3-1Gn
GPREDCHA4	Glide Red Fascia - Ambient	4-1Gn
GPREDCHA5	Glide Red Fascia - Ambient	5-1Gn
<b>White (BS 00E55)</b>		
GWHITCHA2	Glide White Fascia - Ambient	2-1Gn
GWHITCHA3	Glide White Fascia - Ambient	3-1Gn
GWHITCHA4	Glide White Fascia - Ambient	4-1Gn
GWHITCHA5	Glide White Fascia - Ambient	5-1Gn
<b>Wood Grain Effect Panels DL85 Walnut Finish</b>		
GWALNCHA2	Glide Walnut Fascia - Ambient	2-1Gn
GWALNCHA3	Glide Walnut Fascia - Ambient	3-1Gn
GWALNCHA4	Glide Walnut Fascia - Ambient	4-1Gn
GWALNCHA5	Glide Walnut Fascia - Ambient	5-1Gn



Code	Description	Capacity
<b>Satin S/Steel (430 gd.)</b>		
GSSTLCHA2	Glide S/Steel Fascia - Ambient	2-1Gn
GSSTLCHA3	Glide S/Steel Fascia - Ambient	3-1Gn
GSSTLCHA4	Glide S/Steel Fascia - Ambient	4-1Gn
GSSTLCHA5	Glide S/Steel Fascia - Ambient	5-1Gn



Code	Description	Capacity
<b>Forest Green/Heritage (RAL 6002)</b>		
GGRENCHA2	Glide Green Fascia - Ambient	2-1Gn
GGRENCHA3	Glide Green Fascia - Ambient	3-1Gn
GGRENCHA4	Glide Green Fascia - Ambient	4-1Gn
GGRENCHA5	Glide Green Fascia - Ambient	5-1Gn



Code	Description	Capacity
<b>Buttermilk Cream/ Honesty (BS 10C31)</b>		
GCREMCHA2	Glide Cream Fascia - Ambient	2-1Gn
GCREMCHA3	Glide Cream Fascia - Ambient	3-1Gn
GCREMCHA4	Glide Cream Fascia - Ambient	4-1Gn
GCREMCHA5	Glide Cream Fascia - Ambient	5-1Gn



Code	Description	Capacity
<b>Black (BS 00E53)</b>		
GBLAKCHA2	Glide Black Fascia - Ambient	2-1Gn
GBLAKCHA3	Glide Black Fascia - Ambient	3-1Gn
GBLAKCHA4	Glide Black Fascia - Ambient	4-1Gn
GBLAKCHA5	Glide Black Fascia - Ambient	5-1Gn



Code	Description	Capacity
<b>Wood Grain Effect Panels DL76 Beech Finish</b>		
GBEECCHA2	Glide Beech Fascia - Ambient	2-1Gn
GBEECCHA3	Glide Beech Fascia - Ambient	3-1Gn
GBEECCHA4	Glide Beech Fascia - Ambient	4-1Gn
GBEECCHA5	Glide Beech Fascia - Ambient	5-1Gn



### Wood Grain Effect Panels DL84 Oak Finish

Code	Description	Capacity
GOAKCHA2	Glide Oak Fascia - Ambient	2-1Gn
GOAKCHA3	Glide Oak Fascia - Ambient	3-1Gn
GOAKCHA4	Glide Oak Fascia - Ambient	4-1Gn
GOAKCHA5	Glide Oak Fascia - Ambient	5-1Gn

## GANTRY OPTIONS



## Glide Heated Gantry c/w Infra Red Lamps (Self Help & A.Serve)

Code	Description	Capacity (Gn)	Dimensions (L x D x H mm)	Weight (kg)	Power (kW)
GHG2	Glide Hot Gantry S.Help/A.Serve	2-1Gn	825 x 700 x 397	7	0.4
GHG3	Glide Hot Gantry S.Help/A.Serve	3-1Gn	1175 x 700 x 397	9	0.6
GHG4	Glide Hot Gantry S.Help/A.Serve	4-1Gn	1525 x 700 x 397	12	0.8
GHG5	Glide Hot Gantry S.Help/A.Serve	5-1Gn	1875 x 700 x 397	16	1.0

## Wet/Dry BM Hot Cupbd (NG)

### Option Description.

Hot gantry, s/steel, reversible curved glass sneeze screen, self help/ ass. serve use, + 397(h) above worktop, end glass, fitted with 200w quartz infra-red jacketed safety lamps.

## Glide Heated Island Gantry c/w Infra Red Lamps (Self Help)

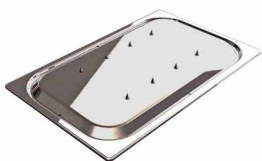
Code	Description	Capacity (Gn)	Dimensions (L x D x H mm)	Weight (kg)	Power (kW)
GHIG2	Glide Hot Gantry Island Glass S.Help	2-1 Gn	825 x 700 x 397	9	0.4
GHIG3	Glide Hot Gantry Island Glass S.Help	3-1 Gn	1175 x 700 x 397	11	0.6
GHIG4	Glide Hot Gantry Island Glass S.Help	4-1 Gn	1525 x 700 x 397	13	0.8
GHIG5	Glide Hot Gantry Island Glass S.Help	5-1 Gn	1875 x 700 x 397	18	1.0

## Wet/Dry BM Hot Cupbd (NG)

### Option Description.

Hot island gantry, s/steel, double curved glass sneeze screen, self help, + 397(h) above worktop, end glass, fitted with 200w quartz infra-red jacketed safety lamps.

## BAIN MARIE INSERT



## Glide Spiked Carving Insert (Bain Marie) - 1/1 Gn

\*Use With Heated Gantry Options\*

Code	Description	Capacity (Gn)	Dimensions (W x D x H mm)	Weight (kg)	Spikes (Qty.)
GCINS1	Glide Carving Insert (B.Marie)	1-1 Gn	325 x 530 x 24	1	8

## Wet/Dry BM Hot Cupboard (& Heated Gantry)

### Option Description.

Carving Insert, 1/1 Gn, 325mm x 530mm x 24mm (h), removable spiked carving deck, removable juice collecting tray, for dry heat & wet bain marie.





# Bain Marie Hot Cupboard (Wet & Dry Heat)

## INSERTS & POPULAR CODES



### Glide Hotplate Adaptor/ Soup Insert - 1-1 Gn

*\*Use With Heated Gantry Options\**

Code	Description	Capacity (Gn)	Dimensions (W x D x H mm)	Weight (kg)
GHINS1	Glide Hot Glass Insert (B.Marie)	1-1 Gn	324 x 520 x 27	1
GSUPI4	Glide 2 x 4.5L Soup Insert (B.Marie)	1-1 Gn	325 x 520 x 64	2

GHINS1 Shown

GSUPI4 Shown

### Wet/Dry BM Hot Cupbd (& Hot Gantry)

**Option Description (Hot Glass Insert)**  
1-1 Gn hot glass insert, c/w s/steel surround collar, short term holding only, ideal for sauce dishes.

**Option Description (Soup Insert).**  
1-1 Gn soup container insert c/w s/steel support collar, includes 2 no. 4.5 litre soup or gravy containers & lids.

### Glide Wet/Dry BM Hot Cupboard (& Tray Slide)

Model Code	Option Code	Description	Total Power (kW)
GHBMW2	GSTS2	Glide W/D BM HCupbd. & T/Slide 2-1	2.43
GHBMW3	GSTS3	Glide W/D BM HCupbd. & T/Slide 3-1	2.93
GHBMW4	GSTS4	Glide W/D BM HCupbd. & T/Slide 4-1	2.93
GHBMW5	GSTS5	Glide W/D BM HCupbd. & T/Slide 5-1	2.93

Requires 13A 230V Elec. Socket

### Glide Wet/Dry BM Hot Cupboard (& Heated Gantry & Tray Rail & Colour Finish)

Model Code	Option Code	Option Code	Option Code	Description	Total Power (kW)
GHBMW2	GHG2	GTTS2	GPREDCHA2	WD/BM HC/HG/T.Rail (Red) 2-1	2.83
GHBMW3	GHG3	GTTS3	GPREDCHA3	WD/BM HC/HG/T.Rail (Red) 3-1	3.53*
GHBMW4	GHG4	GTTS4	GPREDCHA4	WD/BM HC/HG/T.Rail (Red) 4-1	3.73**
GHBMW5	GHG5	GTTS5	GPREDCHA5	WD/BM HC/HG/T.Rail (Red) 5-1	3.93**

13A 230V Elec. Socket \*16A Commando Skt \*\*32A Commando Skt



### Glide Wet/Dry BM Hot Cupboard (& Tray Rail)

Model Code	Option Code	Description	Total Power (kW)
GHBMW2	GSTS2	Glide W/D BM HCupbd. & T/Rail 2-1	2.43
GHBMW3	GSTS3	Glide W/D BM HCupbd. & T/Rail 3-1	2.93
GHBMW4	GSTS4	Glide W/D BM HCupbd. & T/Rail 4-1	2.93
GHBMW5	GSTS5	Glide W/D BM HCupbd. & T/Rail 5-1	2.93

Requires 13A 230V Elec. Socket

### Glide Wet/Dry BM Hot Cupboard (& Colour Finish)

Model Code	Option Code	Description	Total Power (kW)
GHBMW2	GGRENCHA2	Glide W/D BM HCupbd.+(Green) 2-1	2.43
GHBMW3	GGRENCHA3	Glide W/D BM HCupbd.+(Green) 3-1	2.93
GHBMW4	GGRENCHA4	Glide W/D BM HCupbd.+(Green) 4-1	2.93
GHBMW5	GGRENCHA5	Glide W/D BM HCupbd.+(Green) 5-1	2.93

Requires 13A 230V Elec. Socket



### Glide Wet/Dry BM Hot Cupboard (& Heated Gantry)

Model Code	Option Code	Description	Total Power (kW)
GHBMW2	GHG2	Glide W/D BM HCupbd. & Hot Gantry 2-1	2.83
GHBMW3	GHG3	Glide W/D BM HCupbd. & Hot Gantry 3-1	3.53*
GHBMW4	GHG4	Glide W/D BM HCupbd. & Hot Gantry 4-1	3.73**
GHBMW5	GHG5	Glide W/D BM HCupbd. & Hot Gantry 5-1	3.93**

13A 230V Elec. Socket \*16A Commando Skt \*\*32A Commando Skt

### Glide Wet/Dry BM Hot Cupboard (& Heated Gantry & Tray Rail)

Model Code	Option Code	Option Code	Description	Total Power (kW)
GHBMW2	GHG2	GTTS2	Wet/D BM HCupbd. & Hot Gantry/ T.Rail 2-1	2.83
GHBMW3	GHG3	GTTS3	Wet/D BM HCupbd. & Hot Gantry/ T.Rail 3-1	3.53*
GHBMW4	GHG4	GTTS4	Wet/D BM HCupbd. & Hot Gantry/ T.Rail 4-1	3.73**
GHBMW5	GHG5	GTTS5	Wet/D BM HCupbd. & Hot Gantry/ T.Rail 5-1	3.93**

13A 230V Elec. Socket \*16A Commando Skt \*\*32A Commando Skt



### Glide Wet/Dry BM Hot Cupboard (& Heated Island Gantry)

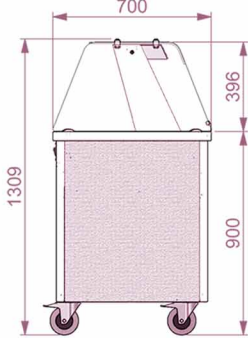
Model Code	Option Code	Description	Total Power (kW)
GHBMW2	GHIG2	Wet/D BM HCupbd. & Hot Isl.Gantry 2-1	2.83
GHBMW3	GHIG3	Wet/D BM HCupbd. & Hot Isl.Gantry 3-1	3.53*
GHBMW4	GHIG4	Wet/D BM HCupbd. & Hot Isl.Gantry 4-1	3.73**
GHBMW5	GHIG5	Wet/D BM HCupbd. & Hot Isl.Gantry 5-1	3.93**

13A 230V Elec. Socket \*16A Commando Skt \*\*32A Commando Skt

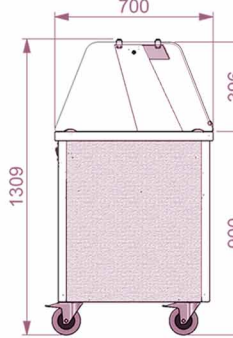
### Glide Wet/Dry BM Hot Cupboard (& Heated Gantry & Tray Slide)

Model Code	Option Code	Option Code	Description	Total Power (kW)
GHBMW2	GHG2	GSTS2	Wet/D BM HCupbd. & Hot Gantry/ T.Slide 2-1	2.83
GHBMW3	GHG3	GSTS3	Wet/D BM HCupbd. & Hot Gantry/ T.Slide 3-1	3.53*
GHBMW4	GHG4	GSTS4	Wet/D BM HCupbd. & Hot Gantry/ T.Slide 4-1	3.73**
GHBMW5	GHG5	GSTS5	Wet/D BM HCupbd. & Hot Gantry/ T.Slide 5-1	3.93**

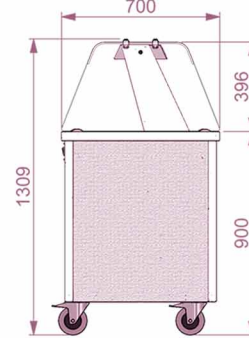
13A 230V Elec. Socket \*16A Commando Skt \*\*32A Commando Skt



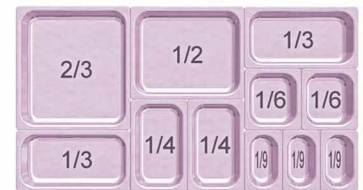
Wet/Dry BM Hot Cupbd. (& Hot Gantry)  
Self Help Position



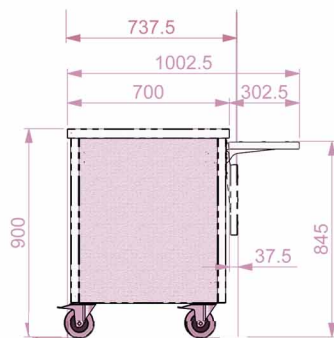
Wet/Dry BM Hot Cupbd. (& Hot Gantry)  
Assisted Service Position



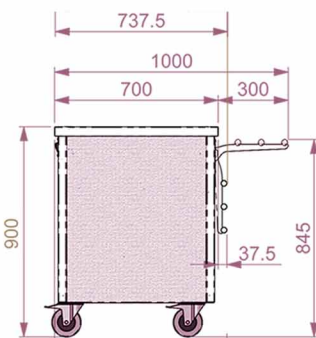
Wet/Dry BM Hot Cupbd. (& Hot Island Gantry)



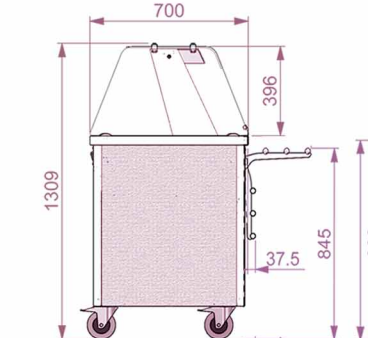
Glide Bain Marie Container Supports Allow Many Gn Container Sizes To Be Used.  
(3-1 Gn Model Shown)



Wet/Dry BM Hot Cupbd. (& Tray Slide)



Wet/ Dry BM Hot Cupbd. (& Tray Rail)



Wet/Dry BM Hot Cupbd. (& Hot Gantry/Tray Rail)  
Self Help Position



\*Gn Containers Not Included