



Ceran Top Hot Cupboard (No Gantry) (Operator Side)

Ceran Top Hot Cupboard (No Gantry) (Customer Side)

## ABOUT

The ceran top hot cupboard forms part of the Glide range of mobile dining carts - a choice of cold, hot & ambient commercial catering carts that combine to form a food service counter solution as unique as your requirements!

The ceran top hot cupboard (no gantry) features a heated ceramic glass hotplate section formed in the worktop, that accommodates 1-1 size flat btm. Gn containers or dishes with lids (not included). The model is made in 4 sizes to suit your service layout.

The hot cupboard uses fan blown heating to evenly distribute heat around the cupboard space. Behind lift-off rear sliding s/steel cupboard doors, are two tiers of removable, height adjustable grid shelves for plate/ container storage. The wire shelves help distribute heat around the cupboard and support plate holding, dish storage or up to ten 1-1 Gn size (150mm deep) gastronorm containers (not included), depending on the cupboard size.

The front/side base panels are finished in leathergrain plastisol steel, colour merlin grey (BS 18B25). Each model comes with lockable castors. The hot cupboard has thermostatic control. The ceran top & mains power are controlled by neon on/off switches. Gantry options are also controlled by a neon on/off switch.

## ACCESSORIES & FINISHES

### Folding Steel Solid or Tubular Tray Slides.

Drop down tray rails or slides + 40mm (d) height = (h) - 55mm.

### Selection Of Colour Finishes To Bases.

11 alternative choices of durable steel, colour & wood effect for the external front/ side base panels.

### Optional Sit-On Spiked Carving Adaptor.

An optional sit-on spiked carving insert & juice collection tray with supporting frame are available for use on the worktop with the hot gantry option.



## GANTRY OPTIONS

### Heated Gantry & Island Heated Gantry.

A reversible self help/ assisted service glass heated gantry or island gantry option provide top heat to the surface of food being held on the ceran top.

## HEIGHT OPTIONS

### Low Height Model (Glide Junior).

850mm or 800mm high options for junior/ primary use.



Download All Technical Drawings From [www.cedfabsltd.co.uk](http://www.cedfabsltd.co.uk)

## FEATURES

### Model Type.

The Glide ceran top hot cupboard is a mobile hotplate & heated storage station with full front/ side fascia panels, s/steel & ceran worktop & a fan assisted hot cupboard under, with two tier wire rack shelving below. Each shelf is adjustable in height and removable for cleaning. The operator side rear s/steel sliding doors are also removable.

### Model Dimensions.

The ceran top hot cupboard is available as 2-1Gn (825mm), 3-1Gn (1175mm), 4-1Gn (1525mm) & 5-1 Gn (1875mm) long x 700mm (D), 900mm (H) & has locking castors.

### Model Finishes.

Base/ outer end panels in plastisol steel, colour merlin grey. The worktop housing ceran top glass is made from 304 gd s/steel & the rear facing doors & surfaces are 430gd.steel.

### Low Maintenance.

Easy, cleanable surfaces and a durable design ensure low maintenance for users.

### Finishes & Options.

The cupboard can be customised with many accessories such as tray slides, tray rails, colour finishes, heated/ island heated gantries, low height versions for junior/ primary age use & a sit - on spiked carving adaptor. A wall sited version of the ceran top hot cupboard is also available, for alcoves/ recesses c/w front facing sliding s/steel doors, gantry & colour finishes for the base cupboard rear & sides. (See separate model GWSHP2-5).

### Power Supply.

The cupboard is supplied with a 3m lead & 13 amp UK plug (13A 230v 50Hz). (5/1Gn model with hot gantry = 16A commando plug).

### Equipment Conformity.

### Temperature Controls.

The hot cupboard has thermostatic control, the ceran top & mains power are controlled by neon on/off switches. The hot gantry options are also controlled by neon on/off switches.

(Ceran Top Hot Cupboard)

(Ceran Top Hot Cupboard & Gantry)



## Glide Ceran Top Hot Cupboard (No Gantry)

Code	Description	Capacity (Gn)	Dimensions (L x D x H mm)	Depth With Tray Slide Up/ Down	Weight (kg)	Total Power (kW)	
						No Gantry	+ Hot Gantry
GHP2	Glide Ceran Top Hot.Cupd No Gantry	2-1	825 x 700 x 900	1000/ 740mm	49	1.29	1.69
GHP3	Glide Ceran Top Hot.Cupd No Gantry	3-1	1175 x 700 x 900	1000/ 740mm	69	1.47	2.07
GHP4	Glide Ceran Top Hot.Cupd No Gantry	4-1	1525 x 700 x 900	1000/ 740mm	92	1.65	2.45
GHP5	Glide Ceran Top Hot.Cupd No Gantry	5-1	1875 x 700 x 900	1000/ 740mm	114	2.33	3.33 16A

**Model Description.** Glide mobile dining cart, ceran glass hotplate top (no gantry), electric, 700(d) x 900(h), accommodates 1-1 Gn flat btm. dishes/lids (not included), fan assisted hotcupboard under with removable s/steel sliding doors & 2 tiers of adjustable/ removable internal grid shelves for plate/ Gn container holding. Front/side base panels in leathergrain plastisol steel, colour merlin grey (BS 18B25), lockable castors, control panel to operator side, 3m lead. Hot cupboard has thermostatic control, ceran top & mains power are controlled by neon on/off switches. Gantry options are also controlled by neon on/off switch. Electrical supply (no gantry/+ hot gantry) = 230V 50Hz 13A UK plug top. (Gantry/ Tray Rails Optional) (5/1Gn model with hot gantry = 16A commando plug).

*\*For best performance (no gantry model) always use lids on Gn containers when not serving, stir food in containers regularly\**

## Glide S/Steel Folding Tubular Tray Rail

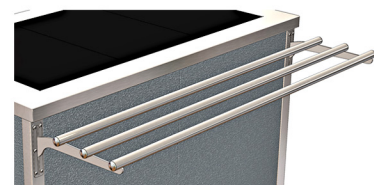
Code	Description	Capacity (Gn)	Dimensions (L x D x H mm)	Weight (kg)	Option Description.
GTTS2	Glide S/Steel Drop Down Tray Rail	2-1 Gn	825 x 298 x (base-55)	2	S/steel tubular tray rail, 304 gd. Ø25 tube, drop down bracket type, up position depth + 298 mm to base unit, down position depth + 40mm to base unit. Trayslide height = base unit (h) - 55mm.
GTTS3	Glide S/Steel Drop Down Tray Rail	3-1 Gn	1175 x 298 x (base-55)	3	
GTTS4	Glide S/Steel Drop Down Tray Rail	4-1 Gn	1525 x 298 x (base-55)	5	
GTTS5	Glide S/Steel Drop Down Tray Rail	5-1 Gn	1875 x 298 x (base-55)	7	

## Ceran Top Hot Cupbd. (No Gantry)

## Glide S/Steel Folding Solid Tray Slide

Code	Description	Capacity (Gn)	Dimensions (L x D x H mm)	Weight (kg)	Option Description.
GSTS2	Glide S/Steel Drop Down Solid Tray Slide	2-1Gn	825 x 302 x (base-55)	3	S/steel solid tray slide, drop down bracket type, up position depth + 302 mm to base unit, down position depth + 40mm to base unit. Trayslide height = base unit (h) - 55mm.
GSTS3	Glide S/Steel Drop Down Solid Tray Slide	3-1Gn	1175 x 302 x (base-55)	5	
GSTS4	Glide S/Steel Drop Down Solid Tray Slide	4-1Gn	1525 x 302 x (base-55)	7	
GSTS5	Glide S/Steel Drop Down Solid Tray Slide	5-1Gn	1875 x 302 x (base-55)	9	

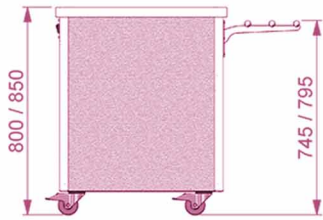
## Ceran Top Hot Cupbd. (No Gantry)





# Ceran Top Hot Cupboard

FINISHES, INSERTS,  
HEIGHT & GANTRY OPTIONS



## Low Height Model (Glide Junior) - 800/ 850mm (h)

Code	Description	Base Height (mm)	Optional Tray Slide Height (mm)
G800H**	Glide Base Unit 800mm Height	800	745
G850H	Glide Base Unit 850mm Height	850	795

\*\*G800H Bespoke Option (With Extended lead Time)

## For Ceran Top Hot Cupbd. (No Gantry)

### Option Description.

Lower height option codes for junior/ primary use.

**\*\*800mm (h) base unit, c/w 100mm lockable castors.**  
(Optional trayslide height becomes 745mm high)\*\*

**850mm (h) base unit, c/w 100mm lockable castors.**  
(Optional trayslide height becomes 795mm high).

## Colour Finishes To Base Panels (Front & Sides)

Option Description. 11 choices of leathergrain plastisol steel colours/ wood effect laminated steel for front fascia panel/ external ends.

## For Ceran Top Hot Cupbd. (No Gantry)

Code	Description	Capacity	Code	Description	Capacity
<b>Ocean Blue (BS 18C37)</b>					
GBLUECHA2	Glide Blue Fascia - Ambient	2-1Gn	GSSTLCHA2	Glide S/Steel Fascia - Ambient	2-1Gn
GBLUECHA3	Glide Blue Fascia - Ambient	3-1Gn	GSSTLCHA3	Glide S/Steel Fascia - Ambient	3-1Gn
GBLUECHA4	Glide Blue Fascia - Ambient	4-1Gn	GSSTLCHA4	Glide S/Steel Fascia - Ambient	4-1Gn
GBLUECHA5	Glide Blue Fascia - Ambient	5-1Gn	GSSTLCHA5	Glide S/Steel Fascia - Ambient	5-1Gn
<b>Goosewing Light Grey (BS 10A05)</b>					
GGREYCHA2	Glide Grey Fascia - Ambient	2-1Gn	<b>Satin S/Steel (430 gd.)</b>		
GGREYCHA3	Glide Grey Fascia - Ambient	3-1Gn	GSSTLCHA2	Glide S/Steel Fascia - Ambient	2-1Gn
GGREYCHA4	Glide Grey Fascia - Ambient	4-1Gn	GSSTLCHA3	Glide S/Steel Fascia - Ambient	3-1Gn
GGREYCHA5	Glide Grey Fascia - Ambient	5-1Gn	GSSTLCHA4	Glide S/Steel Fascia - Ambient	4-1Gn
<b>Poppy Red (BS 04E5B)</b>					
GPREDCHA2	Glide Red Fascia - Ambient	2-1Gn	GSSTLCHA5	Glide S/Steel Fascia - Ambient	5-1Gn
GPREDCHA3	Glide Red Fascia - Ambient	3-1Gn	<b>Forest Green/Heritage (RAL 6002)</b>		
GPREDCHA4	Glide Red Fascia - Ambient	4-1Gn	GGRENCHA2	Glide Green Fascia - Ambient	2-1Gn
GPREDCHA5	Glide Red Fascia - Ambient	5-1Gn	GGRENCHA3	Glide Green Fascia - Ambient	3-1Gn
<b>White (BS 00E55)</b>					
GWHITCHA2	Glide White Fascia - Ambient	2-1Gn	GGRENCHA4	Glide Green Fascia - Ambient	4-1Gn
GWHITCHA3	Glide White Fascia - Ambient	3-1Gn	GGRENCHA5	Glide Green Fascia - Ambient	5-1Gn
GWHITCHA4	Glide White Fascia - Ambient	4-1Gn	<b>Buttermilk Cream/ Honesty (BS 10C31)</b>		
GWHITCHA5	Glide White Fascia - Ambient	5-1Gn	GCREMCHA2	Glide Cream Fascia - Ambient	2-1Gn
<b>Wood Grain Effect Panels DL85 Walnut Finish</b>					
GWALNCHA2	Glide Walnut Fascia - Ambient	2-1Gn	GCREMCHA3	Glide Cream Fascia - Ambient	3-1Gn
GWALNCHA3	Glide Walnut Fascia - Ambient	3-1Gn	GCREMCHA4	Glide Cream Fascia - Ambient	4-1Gn
GWALNCHA4	Glide Walnut Fascia - Ambient	4-1Gn	GCREMCHA5	Glide Cream Fascia - Ambient	5-1Gn
GWALNCHA5	Glide Walnut Fascia - Ambient	5-1Gn	<b>Black (BS 00E53)</b>		
<b>Wood Grain Effect Panels DL84 Oak Finish</b>					
GOAKCHA2	Glide Oak Fascia - Ambient	2-1Gn	GBLAKCHA2	Glide Black Fascia - Ambient	2-1Gn
GOAKCHA3	Glide Oak Fascia - Ambient	3-1Gn	GBLAKCHA3	Glide Black Fascia - Ambient	3-1Gn
GOAKCHA4	Glide Oak Fascia - Ambient	4-1Gn	GBLAKCHA4	Glide Black Fascia - Ambient	4-1Gn
GOAKCHA5	Glide Oak Fascia - Ambient	5-1Gn	GBLAKCHA5	Glide Black Fascia - Ambient	5-1Gn
<b>Wood Grain Effect Panels DL76 Beech Finish</b>					
GBECCCHA2	Glide Beech Fascia - Ambient	2-1Gn	<b>Satin S/Steel (430 gd.)</b>		
GBECCCHA3	Glide Beech Fascia - Ambient	3-1Gn	GSSTLCHA2	Glide S/Steel Fascia - Ambient	2-1Gn
GBECCCHA4	Glide Beech Fascia - Ambient	4-1Gn	GSSTLCHA3	Glide S/Steel Fascia - Ambient	3-1Gn
GBECCCHA5	Glide Beech Fascia - Ambient	5-1Gn	GSSTLCHA4	Glide S/Steel Fascia - Ambient	4-1Gn

## GANTRY OPTIONS



## Glide Heated Gantry c/w Infra Red Lamps (Self Help & A.Serve) Ceran Top H.Cupbd. (No Gantry)

Code	Description	Capacity (Gn)	Dimensions (L x D x H mm)	Weight (kg)	Power (kW)
GHG2	Glide Hot Gantry S.Help/A.Serve	2-1Gn	825 x 700 x 397	7	0.4
GHG3	Glide Hot Gantry S.Help/A.Serve	3-1Gn	1175 x 700 x 397	9	0.6
GHG4	Glide Hot Gantry S.Help/A.Serve	4-1Gn	1525 x 700 x 397	12	0.8
GHG5	Glide Hot Gantry S.Help/A.Serve	5-1Gn	1875 x 700 x 397	16	1.0

Option Description.  
Hot gantry, s/steel, reversible curved glass sneeze screen, self help/ ass. serve use, + 397(h) above worktop, end glass, fitted with 200w quartz infra-red jacketed safety lamps.

## Glide Heated Island Gantry c/w Infra Red Lamps (Self Help) Ceran Top H.Cupbd. (No Gantry)

Code	Description	Capacity (Gn)	Dimensions (L x D x H mm)	Weight (kg)	Power (kW)
GHIG2	Glide Hot Gantry Island Glass S.Help	2-1 Gn	825 x 700 x 397	9	0.4
GHIG3	Glide Hot Gantry Island Glass S.Help	3-1 Gn	1175 x 700 x 397	11	0.6
GHIG4	Glide Hot Gantry Island Glass S.Help	4-1 Gn	1525 x 700 x 397	13	0.8
GHIG5	Glide Hot Gantry Island Glass S.Help	5-1 Gn	1875 x 700 x 397	18	1.0

Option Description.  
Hot island gantry, s/steel, double curved glass sneeze screen, self help, + 397(h) above worktop, end glass, fitted with 200w quartz infra-red jacketed safety lamps.

## CARVING ADAPTOR

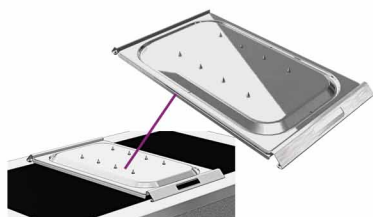
## Glide Sit-On Spiked Carving Adaptor (Hotplate) - 1/1 Gn

\*Use With Heated Gantry Options\*

Code	Description	Capacity (Gn)	Dimensions (W x D x H mm)	Weight (kg)	Spikes (Qty).
GCP1AL	Glide Sit On Carving Adaptor 1-1 Gn	1	325 x 599 x 31	1	8

## Ceran Top H.Cupbd. (& Hot Gantry)

Option Description.  
Sit-on spiked carving lid & 20mm(d)1-1 Gn juice collection tray under. Dims. 599mm (L) x 325mm (w) x 31mm(h). S/steel surround frame with rubber feet. Unit sits on front/ back edges of wktop frame. A shallow amount of water can be added into juice collection tray under, to assist in moisture retention/ enable easier cleaning after serving. (For use with hot gantry option only).





# Ceran Top Hot Cupboard



## POPULAR MODEL/ OPTION CODES

### Glide Ceran Top Hot Cupboard No Gantry (& Tray Slide)

Model Code	Option Code	Description	Total Power (kW)
GHP2	GSTS2	Glide Ceran Top HC. & T/Slide 2-1	2.19
GHP3	GSTS3	Glide Ceran Top HC. & T/Slide 3-1	2.37
GHP4	GSTS4	Glide Ceran Top HC. & T/Slide 4-1	2.55
GHP5	GSTS5	Glide Ceran Top HC. & T/Slide 5-1	2.73

\*Requires 13A 230V Elec. Socket

### Glide Ceran Top Hot Cupboard (& Heated Gantry & Tray Rail & Colour Finish)

Model Code	Option Code	Option Code	Option Code	Description	Total Power (kW)
GHP2	GHG2	GTTS2	GPREDCHA2	HP/HC/H.Gntry/T.Rail (Red) 2-1	2.56
GHP3	GHG3	GTTS3	GPREDCHA3	HP/HC/H.Gntry/T.Rail (Red) 3-1	2.97
GHP4	GHG4	GTTS4	GPREDCHA4	HP/HC/H.Gntry/T.Rail (Red) 4-1	2.95
GHP5	GHG5	GTTS5	GPREDCHA5	HP/HC/H.Gntry/T.Rail (Red) 5-1	2.83

\*Requires 13A 230V Elec. Socket (Self Help/ Ass.Service Gantry)



### Glide Ceran Top Hot Cupboard No Gantry (& Tray Rail)

Model Code	Option Code	Description	Total Power (kW)
GHP2	GTTS2	Glide Ceran Top HC. & T/ Rail 2-1	2.19
GHP3	GTTS3	Glide Ceran Top HC. & T/ Rail 3-1	2.37
GHP4	GTTS4	Glide Ceran Top HC. & T/ Rail 4-1	2.55
GHP5	GTTS5	Glide Ceran Top HC. & T/ Rail 5-1	2.73

\*Requires 13A 230V Elec. Socket

### Glide Ceran Top Hot Cupboard No Gantry (& Colour Finish)

Model Code	Option Code	Description	Total Power (kW)
GHP2	GGRENCHA2	Glide Ceran Top HC. & (Green) 2-1	2.19
GHP3	GGRENCHA3	Glide Ceran Top HC. & (Green) 3-1	2.37
GHP4	GGRENCHA4	Glide Ceran Top HC. & (Green) 4-1	2.55
GHP5	GGRENCHA5	Glide Ceran Top HC. & (Green) 5-1	2.73

\*Requires 13A 230V Elec. Socket



### Glide Ceran Top Hot Cupboard (& Heated Gantry)

Model Code	Option Code	Description	Total Power (kW)
GHP2	GHG2	Glide Ceran Top HC. & Hot Gntry 2-1	2.56
GHP3	GHG3	Glide Ceran Top HC. & Hot Gntry 3-1	2.97
GHP4	GHG4	Glide Ceran Top HC. & Hot Gntry 4-1	2.95
GHP5	GHG5	Glide Ceran Top HC. & Hot Gntry 5-1	2.83

\*Requires 13A 230V Elec. Socket (S.Help/ Ass.Service Gantry)

### Glide Ceran Top Hot Cupboard (& Heated Gantry & Tray Rail)

Model Code	Option Code	Option Code	Description	Total Power (kW)
GHP2	GHG2	GTTS2	Glide Ceran Top HC. & Hot Gntry/ T.Rail 2-1	2.56
GHP3	GHG3	GTTS3	Glide Ceran Top HC. & Hot Gntry/ T.Rail 3-1	2.97
GHP4	GHG4	GTTS4	Glide Ceran Top HC. & Hot Gntry/ T.Rail 4-1	2.95
GHP5	GHG5	GTTS5	Glide Ceran Top HC. & Hot Gntry/ T.Rail 5-1	2.83

\*Requires 13A 230V Elec. Socket (Self Help/ Ass.Service Gantry)



### Glide Ceran Top Hot Cupboard (& Heated Island Gantry)

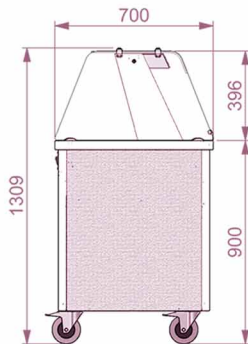
Model Code	Option Code	Description	Total Power (kW)
GHP2	GHIG2	Glide Ceran Top HC. & Hot Island Gntry 2-1	2.56
GHP3	GHIG3	Glide Ceran Top HC. & Hot Island Gntry 3-1	2.97
GHP4	GHIG4	Glide Ceran Top HC. & Hot Island Gntry 4-1	2.95
GHP5	GHIG5	Glide Ceran Top HC. & Hot Island Gntry 5-1	2.83

\*Requires 13A 230V Elec. Socket (Self Help Gantry)

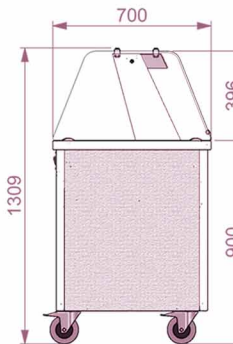
### Glide Ceran Top Hot Cupboard (& Heated Gantry & Tray Slide)

Model Code	Option Code	Option Code	Description	Total Power (kW)
GHP2	GHG2	GSTS2	Glide Ceran Top HC. & Hot Gntry/ T.Slide 2-1	2.56
GHP3	GHG3	GSTS3	Glide Ceran Top HC. & Hot Gntry/ T.Slide 3-1	2.97
GHP4	GHG4	GSTS4	Glide Ceran Top HC. & Hot Gntry/ T.Slide 4-1	2.95
GHP5	GHG5	GSTS5	Glide Ceran Top HC. & Hot Gntry/ T.Slide 5-1	2.83

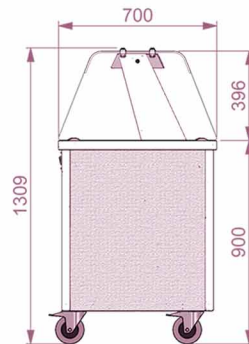
\*Requires 13A 230V Elec. Socket (Self Help/ Ass.Service Gantry)



Glide Ceran Hot Cupbd. (& Hot Gantry) Self Help Position



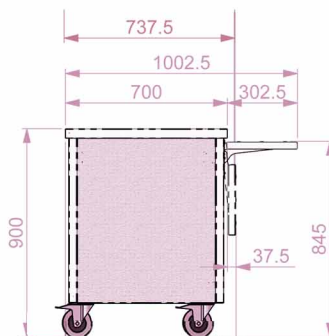
Glide Ceran Hot Cupbd. (& Hot Gantry) Assisted Service Position



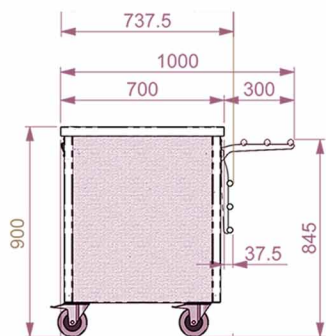
Ceran Hot Cupbd. (& Hot Island Gantry)



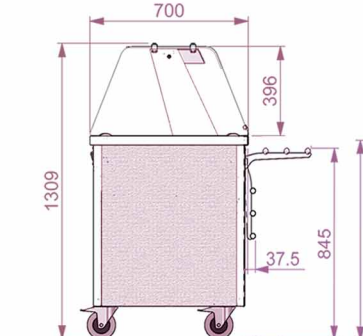
\*Gn Containers Not Included



Glide Ceran Hot Cupbd. (& Tray Slide)



Glide Ceran Hot Cupbd. (& Tray Rail)



Glide Ceran Hot Cupbd. (& Hot Gantry/Tray Rail) Self Help Position



\*Sit-On Carvery Adaptor GCP1AL Shown In Position