



Self Help Cold M.Deck (Shutter & Fixed Back)
Std Airflow In/Out Customer Side



Self Help Cold M.Deck (Shutter & Rear Door)
Std Airflow In/Out Operator Side

ABOUT

The energy efficient, environmentally friendly fan blown cold multideck with shutter, is part of the Glide range of mobile dining carts - a choice of cold, hot & ambient commercial catering carts that combine to form a food service counter solution as unique as your requirements !

The cold multideck circulates a constant stream of cold air within the display area, maintaining pre-chilled food between 2- 5 degrees C, just right for your fruit and vegetables, sandwiches, yoghurts, salads and cold drinks.

This mobile self contained display is available in four different Gastronorm lengths, with locking castors to easily position your equipment around your serving space. The display accepts 1-1Gn (x100) container pans in the deck area if required.

This self help multideck features a central locking, heavy duty security shutter. Digital temperature control, auto defrost & the auto condensate evaporation tray allow 24 hour operation if required. All our Glide cold displays use a highly efficient, naturally occurring hydrocarbon refrigerant gas within hermetically sealed condensing units, which reduce energy consumption and your carbon footprint !

HEIGHT OPTIONS & FINISHES

Low Height Model (Glide Junior).

850mm or 800mm high option codes for junior/ primary use.

Selection Of Colour Finishes To Base Panels.

11 alternative choices of durable colour & wood effect front/ side fascia panels.



ACCESSORIES

Folding Steel Solid or Tubular Tray Slides.

Tray slides + 40mm (d) height = (h) - 50mm.

FEATURES

Download All Technical Drawings From www.cedfabsltd.co.uk

Model Sizes.

The Glide self help multideck (with shutter) is a mobile, open front cold multideck, with a pull down integral locking security shutter, available in 2-1Gn (825mm), 3-1Gn (1175mm), 4-1Gn (1525mm) & 5-1Gn (1875mm) lengths.

3 Tier Shelving & Deck Storage Capacity.

The display features 3 chilled glass shelves (adjustable in height & angle) & chilled s/ steel bottle storage well below (gastronorm depth). The toughened glass shelving has product stops & 40mm(h) ticket strip holder to the front edge of each shelf.

Twin Locking Security Shutter.

The multideck features a centrally controlled, twin locking heavy duty security shutter. The shutter is supplied in a dark grey finish with continuous bottom pull handle and shutter stops, to prevent trapped fingers when operating !

LED Lighting.

Canopy lighting in a low energy LED fitting with opaque cover, colour 4000k.

Self Help Cold Multideck (Shutter & Rear Door).

Re-stocking access is by energy efficient, side hinged double glazed rear doors

Self Help Cold Multideck (Shutter & Fixed Back).

The cold multideck is available with wall sited front airflow, front control panel and bright polished steel back panel for positioning in an alcove, against a wall or back to back, forming a central island grab and go station !

Panoramic Glass Side Panels

Panoramic double glazed side glass panels retain temperature, help eliminate condensation, improve presentation appearance. & add natural lighting in the display.

Model Dimensions.

700mm (D), 900mm (H), 1840mm (O/all Height), fitted with lockable heavy duty castors.

Refrigeration Type.

Fan blown, hydrocarbon r290 energy efficient refrigeration.

System Design.

Auto defrost with 24 hour operation & digital temperature control.

Temperature Performance.

Can achieve temperatures of 0°C to 5°C (max 27°C ambient 55% humidity).

Auto Drip Tray.

Integral auto evaporator condensate drip tray (float & micro switch).

Finishes.

Base panel finish plastisol steel, colour merlin grey (BS 18B25), worktop 430gd s/steel, well area & removable deck plates 304gd s/steel.

Standard Airflow.

(Rear Doors) In/ out operator side c/w lift off rear service & maintenance panel. (Fixed Back) In/ out to customer side c/w lift off front service & maintenance panel.

Power Supply.

Supplied with 3m lead & 13 amp UK plug (13A 230v 50Hz).

Environmental Benefits.

Hydrocarbon refrigeration system (r290) has low global warming potential (GWP) & zero ozone depletion potential (ODP)

Equipment Conformity. CE & UKCA Certified equipment.

Self Help Cold Multideck (Shutter & Rear Doors)

Code	Description	Capacity (Gn)	Dimensions (L x D x H mm)	O/All Fin. Height (mm)	Depth With Tray Slide Up/ Down	Weight (kg)	Power (kW)
GMDR2RSHT	Glide SH Cold Mdeck (Shutter & Door)	2-1 Gn	825 x 700 x 900	1840	1000/ 740mm	130	1.51
GMDR3RSHT	Glide SH Cold Mdeck (Shutter & Door)	3-1 Gn	1175 x 700 x 900	1840	1000/ 740mm	171	1.73
GMDR4RSHT	Glide SH Cold Mdeck (Shutter & Door)	4-1 Gn	1525 x 700 x 900	1840	1000/ 740mm	213	1.73
GMDR5RSHT	Glide SH Cold Mdeck (Shutter & Door)	5-1 Gn	1875 x 700 x 900	1840	1000/ 740mm	253	2.20

Model Description.

Glide mobile self help cold multideck, rear doors, lockable roller shutter, 700(d) x 900(h)-o/all 1840(h), 3 no. adjustable (h) glass shelves c/w ticket strips, fan blown, hydrocarbon r290 energy efficient refrigeration, LED lighting colour 4000k, auto defrost, 24 hour operation, auto evaporator condensate tray, double glazed side panels & doors, front/side base panels in leathergrain plastisol steel, colour merlin grey (BS 18B25), lift off rear service panel, lockable castors, 3m lead, 13A UK plug top. Air In/ Out Operator Side.

Self Help Cold Multideck (Shutter & Fixed Back)

Code	Description	Capacity (Gn)	Dimensions (L x D x H mm)	O/All Fin. Height (mm)	Depth With Tray Slide Up/ Down	Weight (kg)	Power (kW)
GMDF2RSHT	Glide SH Cold Mdeck (Shutter & F.Back)	2-1 Gn	825 x 700 x 900	1840	1000/ 740mm	120	1.51
GMDF3RSHT	Glide SH Cold Mdeck (Shutter & F.Back)	3-1 Gn	1175 x 700 x 900	1840	1000/ 740mm	159	1.73
GMDF4RSHT	Glide SH Cold Mdeck (Shutter & F.Back)	4-1 Gn	1525 x 700 x 900	1840	1000/ 740mm	199	1.73
GMDF5RSHT	Glide SH Cold Mdeck (Shutter & F.Back)	5-1 Gn	1875 x 700 x 900	1840	1000/ 740mm	235	2.20

Model Description.

Glide mobile self help cold multideck, fixed back panel (wall sited), lockable roller shutter, 700(d) x 900(h)-o/all 1840(h), 3 no. adjustable (h) glass shelves c/w ticket strips, fan blown, hydrocarbon r290 energy efficient refrigeration, LED lighting colour 4000k, auto defrost, 24 hour operation, auto evaporator condensate tray, double glazed side panels, front/side base panels in leathergrain plastisol steel, colour merlin grey (BS 18B25), lift off ventilated front service panel, lockable castors, 3m lead, 13A UK plug top. Air In/ Out Customer Side.



Std Airflow In/Out Operator Side

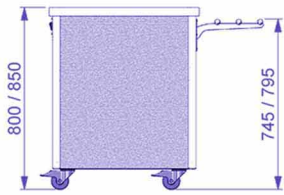


Std Airflow In/Out Customer Side



Refrigerated Cold Multideck (Shutter)

HEIGHT OPTIONS & FINISHES



Low Height Model (Glide Junior) - 800/ 850mm (h)

Code	Description	Base Height (mm)	Optional Tray Slide Height (mm)
G800H**	Glide Base Unit 800mm Height	800	745
G850H	Glide Base Unit 850mm Height	850	795

**G800H Bespoke Option (With Extended lead Time)

For Cold Multideck

Option Description.
Lower height option codes for junior/ primary use.
****800mm (h) base unit, c/w 100mm lockable castors.**
(Optional trayslide height becomes 745mm high)**
850mm (h) base unit, c/w 100mm lockable castors.
(Optional trayslide height becomes 795mm high).



Model GMDR3RSHT
Option GBLUECHA3 Shown



Model GMDR3RSHT
Option GOAKCHA3 Shown

Colour Finishes To Base Panels

Option Description. 11 alternative choices of durable leathergrain plastisol steel colours & wood effect laminated steel for front/ side panels.

Code	Description	Capacity (Gn)
Ocean Blue (BS 18C37)		
GBLUECHA2	Glide Blue Fascia Cold	2-1Gn
GBLUECHA3	Glide Blue Fascia Cold	3-1Gn
GBLUECHA4	Glide Blue Fascia Cold	4-1Gn
GBLUECHA5	Glide Blue Fascia Cold	5-1Gn
Goosewing Light Grey (BS 10A05)		
GGREYCHA2	Glide Grey Fascia Cold	2-1Gn
GGREYCHA3	Glide Grey Fascia Cold	3-1Gn
GGREYCHA4	Glide Grey Fascia Cold	4-1Gn
GGREYCHA5	Glide Grey Fascia Cold	5-1Gn
Poppy Red (BS 04E5B)		
GPREDCHA2	Glide Red Fascia Cold	2-1Gn
GPREDCHA3	Glide Red Fascia Cold	3-1Gn
GPREDCHA4	Glide Red Fascia Cold	4-1Gn
GPREDCHA5	Glide Red Fascia Cold	5-1Gn
White (BS 00E55)		
GWHITCHA2	Glide White Fascia Cold	2-1Gn
GWHITCHA3	Glide White Fascia Cold	3-1Gn
GWHITCHA4	Glide White Fascia Cold	4-1Gn
GWHITCHA5	Glide White Fascia Cold	5-1Gn
Wood Grain Effect Panel, DL85 Walnut Finish		
GWALNCHA2	Glide Walnut Fascia Cold	2-1Gn
GWALNCHA3	Glide Walnut Fascia Cold	3-1Gn
GWALNCHA4	Glide Walnut Fascia Cold	4-1Gn
GWALNCHA5	Glide Walnut Fascia Cold	5-1Gn

Self Help Cold Multideck (Shutter & Rear Doors)

Code	Description	Capacity (Gn)
Satin S/Steel (430 gd.)		
GSSTLCHA2	Glide S/Steel Fascia Cold	2-1Gn
GSSTLCHA3	Glide S/Steel Fascia Cold	3-1Gn
GSSTLCHA4	Glide S/Steel Fascia Cold	4-1Gn
GSSTLCHA5	Glide S/Steel Fascia Cold	5-1Gn
Forest Green/Heritage (RAL 6002)		
GGRENCHA2	Glide Green Fascia Cold	2-1Gn
GGRENCHA3	Glide Green Fascia Cold	3-1Gn
GGRENCHA4	Glide Green Fascia Cold	4-1Gn
GGRENCHA5	Glide Green Fascia Cold	5-1Gn
Buttermilk Cream/ Honesty (BS 10C31)		
GCREMCHA2	Glide Cream Fascia Cold	2-1Gn
GCREMCHA3	Glide Cream Fascia Cold	3-1Gn
GCREMCHA4	Glide Cream Fascia Cold	4-1Gn
GCREMCHA5	Glide Cream Fascia Cold	5-1Gn
Black (BS 00E53)		
GBLAKCHA2	Glide Black Fascia Cold	2-1Gn
GBLAKCHA3	Glide Black Fascia Cold	3-1Gn
GBLAKCHA4	Glide Black Fascia Cold	4-1Gn
GBLAKCHA5	Glide Black Fascia Cold	5-1Gn
Wood Grain Effect Panel, DL76 Beech Finish		
GBECCCHA2	Glide Beech Fascia Cold	2-1Gn
GBECCCHA3	Glide Beech Fascia Cold	3-1Gn
GBECCCHA4	Glide Beech Fascia Cold	4-1Gn
GBECCCHA5	Glide Beech Fascia Cold	5-1Gn
Wood Grain Effect Panel, DL84 Oak Finish		
GOAKCHA2	Glide Oak Fascia Cold	2-1Gn
GOAKCHA3	Glide Oak Fascia Cold	3-1Gn
GOAKCHA4	Glide Oak Fascia Cold	4-1Gn
GOAKCHA5	Glide Oak Fascia Cold	5-1Gn

Colour Finishes To Base Panels (Wall Sited)

Option Description. 11 alternative choices of ventilated leathergrain plastisol steel colours & wood effect laminated steel for front/ side panels.

Code	Description	Capacity (Gn)
Ocean Blue (BS 18C37)		
GBLUEWSC2	Glide Blue Fascia Cold (Wall)	2-1Gn
GBLUEWSC3	Glide Blue Fascia Cold (Wall)	3-1Gn
GBLUEWSC4	Glide Blue Fascia Cold (Wall)	4-1Gn
GBLUEWSC5	Glide Blue Fascia Cold (Wall)	5-1Gn
Goosewing Light Grey (BS 10A05)		
GGREYWSC2	Glide Grey Fascia Cold (Wall)	2-1Gn
GGREYWSC3	Glide Grey Fascia Cold (Wall)	3-1Gn
GGREYWSC4	Glide Grey Fascia Cold (Wall)	4-1Gn
GGREYWSC5	Glide Grey Fascia Cold (Wall)	5-1Gn
Poppy Red (BS 04E5B)		
GPREDWSC2	Glide Red Fascia Cold (Wall)	2-1Gn
GPREDWSC3	Glide Red Fascia Cold (Wall)	3-1Gn
GPREDWSC4	Glide Red Fascia Cold (Wall)	4-1Gn
GPREDWSC5	Glide Red Fascia Cold (Wall)	5-1Gn
White (BS 00E55)		
GWHITWSC2	Glide White Fascia Cold (Wall)	2-1Gn
GWHITWSC3	Glide White Fascia Cold (Wall)	3-1Gn
GWHITWSC4	Glide White Fascia Cold (Wall)	4-1Gn
GWHITWSC5	Glide White Fascia Cold (Wall)	5-1Gn
Wood Grain Effect Panel, DL85 Walnut Finish		
GWALNWSC2	Glide Walnut Fascia Cold (Wall)	2-1Gn
GWALNWSC3	Glide Walnut Fascia Cold (Wall)	3-1Gn
GWALNWSC4	Glide Walnut Fascia Cold (Wall)	4-1Gn
GWALNWSC5	Glide Walnut Fascia Cold (Wall)	5-1Gn

Self Help Cold Multideck (Shutter & Fixed Back)

Code	Description	Capacity (Gn)
Satin S/Steel (430 gd.)		
GSSTLWSC2	Glide S/Steel Fascia Cold (Wall)	2-1Gn
GSSTLWSC3	Glide S/Steel Fascia Cold (Wall)	3-1Gn
GSSTLWSC4	Glide S/Steel Fascia Cold (Wall)	4-1Gn
GSSTLWSC5	Glide S/Steel Fascia Cold (Wall)	5-1Gn
Forest Green/Heritage (RAL 6002)		
GGRENWSC2	Glide Green Fascia Cold (Wall)	2-1Gn
GGRENWSC3	Glide Green Fascia Cold (Wall)	3-1Gn
GGRENWSC4	Glide Green Fascia Cold (Wall)	4-1Gn
GGRENWSC5	Glide Green Fascia Cold (Wall)	5-1Gn
Buttermilk Cream/ Honesty (BS 10C31)		
GCREMWSC2	Glide Cream Fascia Cold (Wall)	2-1Gn
GCREMWSC3	Glide Cream Fascia Cold (Wall)	3-1Gn
GCREMWSC4	Glide Cream Fascia Cold (Wall)	4-1Gn
GCREMWSC5	Glide Cream Fascia Cold (Wall)	5-1Gn
Black (BS 00E53)		
GBLAKWSC2	Glide Black Fascia Cold (Wall)	2-1Gn
GBLAKWSC3	Glide Black Fascia Cold (Wall)	3-1Gn
GBLAKWSC4	Glide Black Fascia Cold (Wall)	4-1Gn
GBLAKWSC5	Glide Black Fascia Cold (Wall)	5-1Gn
Wood Grain Effect Panel, DL76 Beech Finish		
GBECCWSC2	Glide Beech Fascia Cold (Wall)	2-1Gn
GBECCWSC3	Glide Beech Fascia Cold (Wall)	3-1Gn
GBECCWSC4	Glide Beech Fascia Cold (Wall)	4-1Gn
GBECCWSC5	Glide Beech Fascia Cold (Wall)	5-1Gn
Wood Grain Effect Panel, DL84 Oak Finish		
GOAKWSC2	Glide Oak Fascia Cold (Wall)	2-1Gn
GOAKWSC3	Glide Oak Fascia Cold (Wall)	3-1Gn
GOAKWSC4	Glide Oak Fascia Cold (Wall)	4-1Gn
GOAKWSC5	Glide Oak Fascia Cold (Wall)	5-1Gn



Model GMDF3RSHT
Option GGRENWSC3 Shown



Model GMDF3RSHT
Option GBECCWSC3 Shown



Refrigerated Cold Multideck (Shutter)

ACCESSORIES & POPULAR CODES

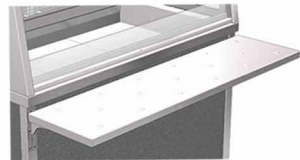


Glide S/Steel Folding Tubular Tray Rail

Code	Description	Capacity (Gn)	Dimensions (L x D x H mm)	Weight (kg)
GTTS2	Glide S/Steel Drop Down Tray Rail	2-1Gn	825 x 298 x (base-55)	2
GTTS3	Glide S/Steel Drop Down Tray Rail	3-1Gn	1175 x 298 x (base-55)	3
GTTS4	Glide S/Steel Drop Down Tray Rail	4-1Gn	1525 x 298 x (base-55)	5
GTTS5	Glide S/Steel Drop Down Tray Rail	5-1Gn	1875 x 298 x (base-55)	7

For Cold Multideck (Shutter)

Option Description.
S/steel tubular tray rail, 304 gd. Ø25 tube, drop down bracket type, up position depth + 298 mm to base unit, down position depth + 40mm to base unit. Trayslide height = base unit (h) - 50mm.



Glide S/Steel Folding Solid Tray Slide

Code	Description	Capacity (Gn)	Dimensions (L x D x H mm)	Weight (kg)
GSTS2	Glide S/Steel Drop Down Solid Tray Slide	2-1Gn	825 x 302 x (base-55)	3
GSTS3	Glide S/Steel Drop Down Solid Tray Slide	3-1Gn	1175 x 302 x (base-55)	5
GSTS4	Glide S/Steel Drop Down Solid Tray Slide	4-1Gn	1525 x 302 x (base-55)	7
GSTS5	Glide S/Steel Drop Down Solid Tray Slide	5-1Gn	1875 x 302 x (base-55)	9

For Cold Multideck (Shutter)

Option Description.
S/steel solid tray slide, drop down bracket type, up position depth + 302 mm to base unit, down position depth + 40mm to base unit. Trayslide height = base unit (h) - 50mm.



Glide S.Help Cold M.deck (Shutter) Doors (& Tray Rail)

Model Code	Option Code	Description
GMDR2RSHT	GTTS2	Glide SH Cold M.Deck-Shutter/Door /T.Rail 2-1
GMDR3RSHT	GTTS3	Glide SH Cold M.Deck-Shutter/Door /T.Rail 3-1
GMDR4RSHT	GTTS4	Glide SH Cold M.Deck-Shutter/Door /T.Rail 4-1
GMDR5RSHT	GTTS5	Glide SH Cold M.Deck-Shutter/Door /T.Rail 5-1

Airflow In/Out Operator Side



Glide S.Help Cold M.deck (Shutter) Fixed Back (& Tray Rail)

Model Code	Option Code	Description
GMDF2RSHT	GTTS2	Glide SH Cold M.Deck-Shutter/F.Back /T.Rail 2-1
GMDF3RSHT	GTTS3	Glide SH Cold M.Deck-Shutter/F.Back /T.Rail 3-1
GMDF4RSHT	GTTS4	Glide SH Cold M.Deck-Shutter/F.Back /T.Rail 4-1
GMDF5RSHT	GTTS5	Glide SH Cold M.Deck-Shutter/F.Back /T.Rail 5-1

Airflow In/Out Customer Side



Glide S.Help Cold M.deck (Shutter) Doors (& Tray Slide)

Model Code	Option Code	Description
GMDR2RSHT	GSTS2	Glide SH Cold M.Deck-Shutter/Door /T.Slide 2-1
GMDR3RSHT	GSTS3	Glide SH Cold M.Deck-Shutter/Door /T.Slide 3-1
GMDR4RSHT	GSTS4	Glide SH Cold M.Deck-Shutter/Door /T.Slide 4-1
GMDR5RSHT	GSTS5	Glide SH Cold M.Deck-Shutter/Door /T.Slide 5-1

Airflow In/Out Operator Side



Glide S.Help Cold M.deck (Shutter) Fixed Back (& Tray Slide)

Model Code	Option Code	Description
GMDF2RSHT	GSTS2	Glide SH Cold M.Deck-Shutter/F.Back /T.Slide 2-1
GMDF3RSHT	GSTS3	Glide SH Cold M.Deck-Shutter/F.Back /T.Slide 3-1
GMDF4RSHT	GSTS4	Glide SH Cold M.Deck-Shutter/F.Back /T.Slide 4-1
GMDF5RSHT	GSTS5	Glide SH Cold M.Deck-Shutter/F.Back /T.Slide 5-1

Airflow In/Out Customer Side



Glide S.Help Cold M.deck (Shutter) Doors (Colour Finish Red)

Model Code	Option Code	Description
GMDR2RSHT	GPREDCHA2	Glide SH Cold M.Deck-Shutter/Door /Red 2-1
GMDR3RSHT	GPREDCHA3	Glide SH Cold M.Deck-Shutter/Door /Red 3-1
GMDR4RSHT	GPREDCHA4	Glide SH Cold M.Deck-Shutter/Door /Red 4-1
GMDR5RSHT	GPREDCHA5	Glide SH Cold M.Deck-Shutter/Door /Red 5-1

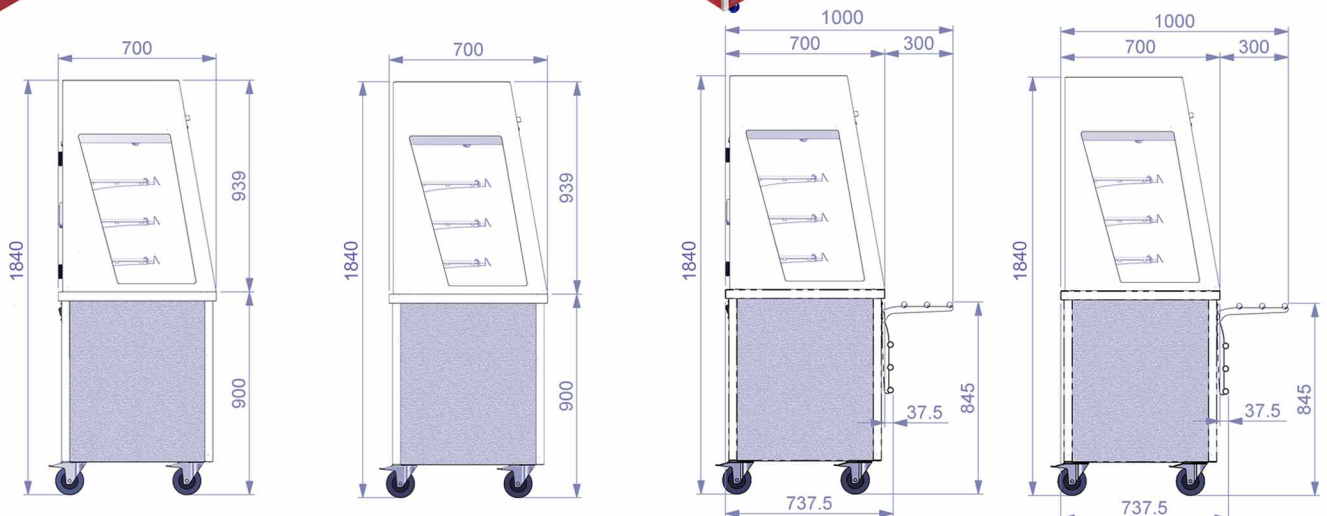
Airflow In/Out Operator Side



Glide S.Help Cold M.deck (Shutter) Fixed Back (Colour Finish Red)

Model Code	Option Code	Description
GMDF2RSHT	GPREDWSC2	Glide SH Cold M.Deck-Shutter/F.Back (Red) 2-1
GMDF3RSHT	GPREDWSC3	Glide SH Cold M.Deck-Shutter/F.Back (Red) 3-1
GMDF4RSHT	GPREDWSC4	Glide SH Cold M.Deck-Shutter/F.Back (Red) 4-1
GMDF5RSHT	GPREDWSC5	Glide SH Cold M.Deck-Shutter/F.Back (Red) 5-1

Airflow In/Out Customer Side



Glide Cold M.Deck (Shutter) Doors (Self Help)

Glide Cold M.Deck (Shutter) F.Back (Self Help)

Glide Cold M.Deck (Shutter) Doors (Self Help) + Tray Rail

Glide Cold M.Deck (Shutter) F.Back (Self Help) + Tray Rail

