



Cutlery & Tray Unit (Operator Side)



Cutlery & Tray Unit (Customer Side)

## ABOUT

This durable self help cutlery dispenser & open tray pick up cupboard form part of the Glide range of mobile dining carts - a choice of cold, hot & ambient commercial catering carts that combine to form a food service counter solution as unique as your requirements ! The cutlery/tray unit is made in a convenient 2-1Gn size, 825(l) x 700(d) x 900(h) and can be positioned in a counter run or wall sited to suit the servery layout. The standard open tray cupboard features a s/steel plain worktop & 730mm wide open access tray storage base area. The side base panels are finished in leathergrain plastisol steel, colour merlin grey (BS 18B25), Each model comes with lockable castors.

**Cutlery Dispenser:** The 235mm (h) self help s/steel cutlery dispenser has rubber feet to prevent surface scratches. The angled self help front face features 8 x Ø115mm perforated steel cutlery containers, for easy cutlery choice. The top surface houses 4 x 1/4Gn x 100 (d) Gn containers for storage of condiment sachets, napkins etc.

## HEIGHT OPTIONS

### Low Height Model (Glide Junior).

850mm or 800mm high options for junior/ primary use.

## FEATURES

Download All Technical Drawings From [www.cedfabsltd.co.uk](http://www.cedfabsltd.co.uk)

### Model Type.

The Glide cutlery & tray pick up unit is a mobile self help cutlery dispenser with a tray collection point below. The tray collection unit has lockable castors, side fascia panels, a s/steel worktop & an open cupboard area under for tray storage. The sit-on s/steel cutlery dispenser is supplied with 8 x Ø115mm perforated steel cutlery containers. The top surface houses 4 x 1/4Gn x 100 (d) Gn containers.

### Model Dimensions.

The cutlery-tray unit is available as 2-1Gn (825mm) long, 700mm deep & 900mm high.

### Model Finishes.

The outer end panels are finished in plastisol steel, colour merlin grey. Worktop and cutlery dispenser are 304 gd steel & the other tray pick up unit external steel surfaces are in 430gd.

### Low Maintenance

Easy, cleanable surfaces and a durable design ensure low maintenance for users.

### Finishes & Options

The sit-on cutlery & tray pick up unit can be customised with many accessories, such as tray slides, tray rails, coloured end panel finishes and also as low height versions for junior/ primary age use.

The flexible design of the sit-on cutlery & tray pick up unit mean it can be positioned in alcoves or recesses, as wall sited or as a free standing unit within your mobile counter run.

The sit-on cutlery dispenser has a convenient cleaning access window to the rear, in case of any wet cutlery drips etc.

## ACCESSORIES & FINISHES

### Folding Steel Solid or Tubular Tray Slides.

Tray slides + 40mm (d) height = (h) - 55mm.

### Selection Of Colour Finishes To Side Panels.

11 alternative choices of durable steel, colour & wood effect finishes for cutlery/ tray unit side panels, to compliment other selected models in the servery colour scheme.



### Glide Cutlery & Tray Pick Up Unit.

Code	Description	Capacity (Gn)	Dimensions (L x D x H mm)	Depth With Tray Slide Up/ Down	Weight (kg)
GCTU	Glide Cutlery/ Tray Pick Up Unit	2-1Gn	825 x 700 x 900/1135	1000/ 740mm	40

**Model Description.** Glide mobile dining cart, sit-on cutlery unit with tray pick-up unit, 825(l) x 700(d) x 900(h) - o/all 1135(h), sit-on cutlery unit c/w 8 no. perf. s.steel cutlery cylinders (115 diam x 130 deep) & 4 no. 1/4Gn x 100 sachet/ napkin containers. Tray pick up base unit below with s/steel worktop, open fronted base shelf for tray storage, side panels in leathergrain plastisol steel, colour merlin grey (BS 18B25), lockable castors. (Tray Rails Optional)



### Glide S/Steel Folding Tubular Tray Rail

Code	Description	Capacity (Gn)	Dimensions (L x D x H mm)	Weight (kg)
GTTS2	Glide S/Steel Drop Down Tray Rail	2-1 Gn	825 x 298 x (base-55)	2

### For Cutlery & Tray Pick Up Unit

#### Option Description.

S/steel tubular tray rail, 304 gd. Ø25 tube, drop down bracket type, up position depth + 298 mm to base unit, down position depth + 40mm to base unit. Trayslide height = base unit (h) - 55mm.



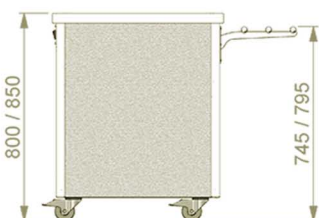
### Glide S/Steel Folding Solid Tray Slide

Code	Description	Capacity (Gn)	Dimensions (L x D x H mm)	Weight (kg)
GSTS2	Glide S/Steel Drop Down Solid Tray Slide	2-1Gn	825 x 302 x (base-55)	3

### For Cutlery & Tray Pick Up Unit

#### Option Description.

S/steel solid tray slide, drop down bracket type, up position depth + 302 mm to base unit, down position depth + 40mm to base unit. Trayslide height = base unit (h) - 55mm.



### Low Height Model (Glide Junior) - 800/ 850mm (h)

Code	Description	Base Height (mm)	Optional Tray Slide Height (mm)
G800H**	Glide Base Unit 800mm Height	800	745
G850H	Glide Base Unit 850mm Height	850	795

\*\*G800H Bespoke Option (With Extended lead Time)

### For Cutlery & Tray Pick Up Unit

#### Option Description.

Lower height option codes for junior/ primary use.

\*\*800mm (h) base unit, c/w 100mm lockable castors. (Optional trayslide height becomes 745mm high)\*\*

850mm (h) base unit, c/w 100mm lockable castors. (Optional trayslide height becomes 795mm high).



## FINISHES & POPULAR MODEL CODES

### Colour Finishes To Cutlery/Tray Unit Side Panels

### For Cutlery & Tray Pick Up Unit

**Option Description.** 11 alternative choices of durable steel, colour & wood effect finishes for cutlery/ tray unit side panels,



Model GCTU  
Option GGRENEP2 Shown



Model GCTU  
Option GBEECEP2 Shown



**Ocean Blue (BS 18C37)**  
Code Description Capacity  
GBLUEP2 Glide Blue Fascia End Cutlery Tray 2-1Gn



**Goosewing Light Grey (BS 10A05)**  
Code Description Capacity  
GGREYEP2 Glide Grey Fascia End Cutlery Tray 2-1Gn



**Poppy Red (BS 04E5B)**  
Code Description Capacity  
GPREDEP2 Glide Red Fascia End Cutlery Tray 2-1Gn



**White (BS 00E55)**  
Code Description Capacity  
GWHITEP2 Glide White Fascia End Cutlery Tray 2-1Gn



**Wood Grain Effect Panels DL85 Walnut Finish**  
Code Description Capacity  
GWALNEP2 Glide Walnut Fascia End Cutlery Tray 2-1Gn



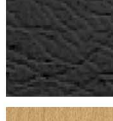
**Satin S/Steel (430 gd.)**  
Code Description Capacity  
GSSTLEP2 Glide S/Steel Fascia End Cutlery Tray 2-1Gn



**Forest Green/Heritage (RAL 6002)**  
Code Description Capacity  
GGRENEP2 Glide Green Fascia End Cutlery Tray 2-1Gn



**Buttermilk Cream/ Honesty (BS 10C31)**  
Code Description Capacity  
GCREMEP2 Glide Cream Fascia End Cutlery Tray 2-1Gn



**Black (BS 00E53)**  
Code Description Capacity  
GBLAKEP2 Glide Black Fascia End Cutlery Tray 2-1Gn



**Wood Grain Effect Panels DL76 Beech Finish**  
Code Description Capacity  
GBEECEP2 Glide Beech Fascia End Cutlery Tray 2-1Gn



**Wood Grain Effect Panels DL84 Oak Finish**  
Code Description Capacity  
GOAKEP2 Glide Oak Fascia End Cutlery Tray 2-1Gn

## POPULAR MODEL CODES



### Glide Cutlery & Tray Pick Up Unit (& Tray Slide)

Model Code	Option Code	Description	Gn Size
GCTU	GSTS2	Glide Cutlery/Tray Unit & T/Slide	2-1



### Glide Cutlery & Tray Pick Up Unit (& Colour Finish - Red)

Model Code	Option Code	Description	Gn Size
GCTU	GPREDEP2	Glide Cutlery/Tray Unit +(Red) 2-1	2-1



### Glide Cutlery & Tray Pick Up Unit (& Tray Slide & Colour Finish - Red)

Model Code	Option Code	Option Code	Description	Gn Size
GCTU	GSTS2	GPREDEP2	Cut./Tray Unit & T.Slide+(Red) 2-1	2-1

### Glide Cutlery & Tray Pick Up Unit (& Tray Rail)

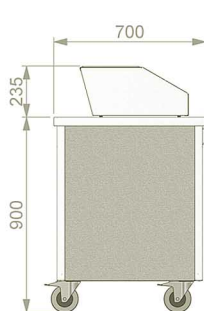
Model Code	Option Code	Description	Gn Size
GCTU	GTTS2	Glide Cutlery/Tray Unit & T/Rail	2-1

### Glide Cutlery & Tray Pick Up Unit (& Tray Rail & Colour Finish - Red)

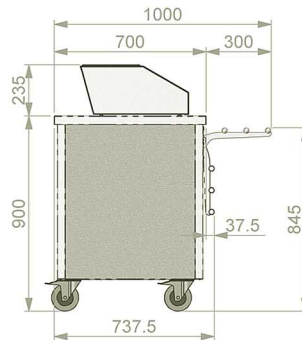
Model Code	Option Code	Option Code	Description	Gn Size
GCTU	GTTS2	GPREDEP2	Cut./Tray Unit & T.Rail +(Red) 2-1	2-1

### Glide Cutlery & Tray Pick Up Unit (& Colour Finish - Blue)

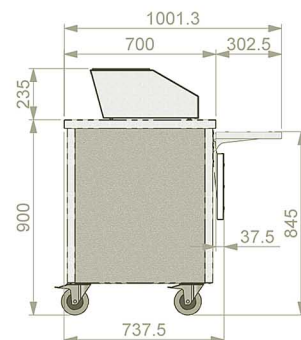
Model Code	Option Code	Description	Gn Size
GCTU	GBLUEP2	Glide Cutlery/Tray Unit +(Blue) 2-1	2-1



Glide Cutlery & Tray Pick Up Unit



Glide Cutlery & Tray Pick Up Unit & Tray Rail



Glide Cutlery & Tray Pick Up Unit & Tray Slide

