



Eutectic Plate Cold Well



Cupboard To Operator Side

Eutectic Cold Well (No Gantry) Shown

FEATURES

Model Sizes.

Glide eutectic plate cold well (no gantry) uses pre-frozen s/steel cooling plates in a mobile contact cooled well base unit. The model operates by the transfer of cold into product in contact with the cold surface. The model is available in 2-1Gn (825mm), 3-1Gn (1175mm), 4-1Gn (1525mm) & 5-1Gn (1875mm) lengths.

Model Dimensions.

Model depth 700mm, model height 900mm, fitted with lockable heavy duty castors.

Eutectic Cooling Plate System.

A series of 1/1 Gn size removable s/steel eutectic plates (supplied) are pre-frozen overnight in a freezer. When cold they are placed in the well area. Contact cooling occurs by the transfer of cold energy into the product, which is in contact with the steel surface of the eutectic plate.

Rear Cupboard Storage Area.

Features rear cupboard with removable sliding s/steel doors. Inside are 2 tiers of internal grid shelves for plate/ Gn pan storage. The cupboards accept plates, dishes or up to 10x 1-1 Gn 150mm deep Gn pans (not included) depending on model size.

Cold Serving Period.

The display keeps pre-chilled product cold for a typical 2-3 hour lunch period. This period can be extended by replacing eutectic plates with others (which have also been pre-frozen in advance).

Food Types

Ideal for storage of fruit, bottled drinks or liquid desserts such as yoghurt pots etc.

Finishes.

Base panel finish plastisol steel, colour merlin grey (BS 18B25), worktop, rear sliding doors & removable eutectic plates in durable food safe s/steel.

Well Storage Depth.

Well depth to suit 100mm deep 1-1Gn pans (not included) when positioned on top of eutectic plates. Total well depth 145mm with eutectic plates removed.

Low Maintenance

Easy, cleanable surfaces and a durable design ensure low maintenance for users.

Equipment Conformity.

CE & UKCA Certified equipment.

Eutectic Plate Cold Well (Wall sited).

The eutectic plate cold well is also available as a wall sited model: (GWSEW2-5) (see separate spec. sheet).

ABOUT

The environmentally friendly eutectic plate cold well is part of the Glide range of mobile dining carts - a choice of cold, hot & ambient commercial catering carts that combine to form a food service counter solution as unique as your requirements!

The eutectic plate cold well features a series of removable, pre-frozen s/steel plates which sit within the base of the display area. The plates contain a cooling gel and provide a **contact cooled surface** for storage of fruit, bottled drinks or liquid desserts such as yoghurt pots etc. The display keeps pre-chilled product cold for a typical 2-3 hour lunch period.

This mobile self contained display is available in four different Gastronom lengths, with locking castors to easily position your equipment around your serving space. When used with the optional ambient gantrys, the cupboard is supplied with a 3m lead & 13 amp UK plug (13A 230v 50Hz).

GANTRY OPTIONS

Eutectic Cold Well LED Gantry.

Dual service gantry c/w LED light, reversible curved glass sneeze screen & side glass.

Eutectic Cold Deli LED Gantry.

Assisted service gantry c/w LED light, glass mid shelf/ full front curved glass & side glass..

Eutectic Cold Island LED Gantry.

Self help island gantry c/w LED light, double curved glass sneeze screen & side glass

HEIGHT OPTIONS & FINISHES

Low Height Model (Glide Junior).

850mm or 800mm high option codes for junior/ primary use. .

Selection Of Colour Finishes To Base Panels.

11 alternative choices of durable colour & wood effect front/ side fascia panels.



ACCESSORIES

Additional S/Steel Eutectic Plate.

Extended your serving period by replacing eutectic plates with other pre-frozen ones.

Rear Deli Preparation Shelf:

Rear s/steel work surface & 1-1Gn (L) hook over polyethylene cutting board.

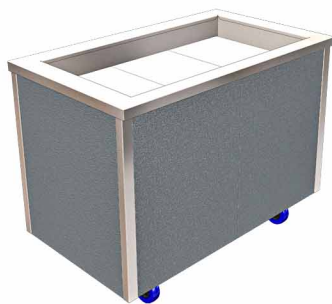
Additional Cutting Board:

Extra boards can be used in multiples with the rear prep. shelf accessory.

TRAY SLIDE/ RAIL OPTIONS

Folding Steel Solid or Tubular Tray Slides:

Tray slides + 40mm (d) height = (h) - 50mm.



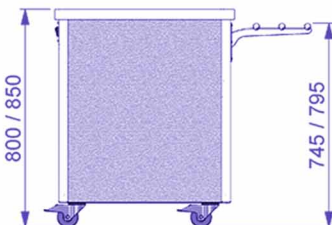
Eutectic Plate Cold Well - No Gantry

Code	Description	Capacity (Gn)	Dimensions (L x D x H mm)	Depth With Tray Slide Up/ Down	Weight (kg)	Power Rating c/w Light Gantry (kW)
GEW2	Glide Eutectic Cold Well No Gantry	2-1Gn	825 x 700 x 900	1000/ 740mm	53	0.008
GEW3	Glide Eutectic Cold Well No Gantry	3-1Gn	1175 x 700 x 900	1000/ 740mm	79	0.014
GEW4	Glide Eutectic Cold Well No Gantry	4-1Gn	1525 x 700 x 900	1000/ 740mm	98	0.016
GEW5	Glide Eutectic Cold Well No Gantry	5-1Gn	1875 x 700 x 900	1000/ 740mm	111	0.022

Model Description.

Glide mobile dining cart, eutectic plate contact cooling salad well, 700(d) x 900(h), recessed insulated s/steel well top accommodates 1-1 GN s/steel eutectic plates (included), rear ambient cupboard under with removable s/steel sliding doors & internal grid shelves for plate/ Gn container holding, front/side base panels in leathergrain plastisol steel, colour merlin grey (BS 18B25), lockable castors. Eutectic plates charged In deep freeze overnight prior to use. Cold transfer is by product contact = 2-3 hour cooling. (Gantry/ Tray Rails Optional)

HEIGHT OPTIONS



Low Height Model (Glide Junior) - 800/ 850mm (h)

(For Eutectic Well - No Gantry)

Code	Description	Base Height (mm)	Optional Tray Slide Height (mm)	Option Description.
G800H**	Glide Base Unit 800mm Height	800	745	Lower height option codes for junior/ primary use. **800mm (h) base unit, c/w 100mm lockable castors. (Optional trayslide height becomes 745mm high)**
G850H	Glide Base Unit 850mm Height	850	795	

**G800H Bespoke Option (With Extended lead Time)

850mm (h) base unit, c/w 100mm lockable castors. (Optional trayslide height becomes 795mm high).



Eutectic Plate Cold Well

GANTRY OPTIONS & ACCESSORIES



Glide Eutectic Well Gantry c/w LED Lighting - S.Help & A.Serve.

(For Eutectic Well - No Gantry)

Code	Description	Capacity (Gn)	Dimensions (L x D x H mm)	Weight (kg)	Power (kW)	Option Description.
GAG2	Glide Amb Gantry S. Help/ A. Service	2-1Gn	825 x 700 x 397	7	0.008	Ambient gantry, s/steel, c/w LED lighting, opaque cover, colour 4000k, reversible single curved glass sneeze screen, self help or assisted serve use, + 397(h) above worktop, end glass.
GAG3	Glide Amb Gantry S. Help/ A. Service	3-1Gn	1175 x 700 x 397	9	0.014	
GAG4	Glide Amb Gantry S. Help/ A. Service	4-1Gn	1525 x 700 x 397	12	0.016	
GAG5	Glide Amb Gantry S. Help/ A. Service	5-1Gn	1875 x 700 x 397	16	0.022	



Glide Eutectic Deli Gantry c/w LED Lighting - A. Serve.

(For Eutectic Well - No Gantry)

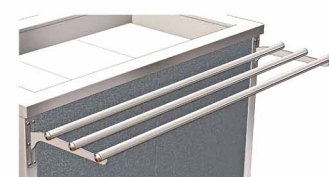
Code	Description	Capacity (Gn)	Dimensions (L x D x H mm)	Weight (kg)	Power (kW)	Option Description.
GADG2	Glide Amb. Deli Gantry A.Serve	2-1Gn	825 x 700 x 540	12	0.008	Assisted service ambient deli gantry, s/steel, full height single curved glass front, end glass, glass mid shelf (not chilled), c/w LED gantry lighting, opaque cover, colour 4000k, ass. serve use, + 540 mm(h) above worktop.
GADG3	Glide Amb. Deli Gantry A.Serve	3-1Gn	1175 x 700 x 540	17	0.014	
GADG4	Glide Amb. Deli Gantry A.Serve	4-1Gn	1525 x 700 x 540	21	0.016	
GADG5	Glide Amb. Deli Gantry A.Serve	5-1Gn	1875 x 700 x 540	26	0.022	



Glide Eutectic Island Well Gantry c/w LED Lighting - S.Help.

(For Eutectic Well - No Gantry)

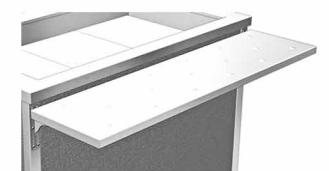
Code	Description	Capacity (Gn)	Dimensions (L x D x H mm)	Weight (kg)	Power (kW)	Option Description.
GAIG2	Glide Amb. Gantry Island Glass	2-1Gn	825 x 700 x 397	9	0.008	Self help island gantry, s/steel, ambient, double curved sneeze screen glass, end glass, c/w LED gantry lighting, opaque cover, colour 4000k, self help use, + 397 mm(h) above worktop.
GAIG3	Glide Amb. Gantry Island Glass	3-1Gn	1175 x 700 x 397	11	0.014	
GAIG4	Glide Amb. Gantry Island Glass	4-1Gn	1525 x 700 x 397	13	0.016	
GAIG5	Glide Amb. Gantry Island Glass	5-1Gn	1875 x 700 x 397	18	0.022	



Glide S/Steel Folding Tubular Tray Rail

(For Eutectic Well - No Gantry)

Code	Description	Capacity (Gn)	Dimensions (L x D x H mm)	Weight (kg)	Option Description.
GTTS2	Glide S/Steel Drop Down Tray Rail	2-1Gn	825 x 298 x (base-55)	2	S/steel tubular tray rail, 304 gd. Ø25 tube, drop down bracket type, up position depth + 298 mm to base unit, down position depth + 40mm to base unit. Trayslide height = base unit (h) - 50mm.
GTTS3	Glide S/Steel Drop Down Tray Rail	3-1Gn	1175 x 298 x (base-55)	3	
GTTS4	Glide S/Steel Drop Down Tray Rail	4-1Gn	1525 x 298 x (base-55)	5	
GTTS5	Glide S/Steel Drop Down Tray Rail	5-1Gn	1875 x 298 x (base-55)	7	



Glide S/Steel Folding Solid Tray Slide

(For Eutectic Well - No Gantry)

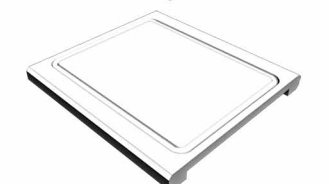
Code	Description	Capacity (Gn)	Dimensions (L x D x H mm)	Weight (kg)	Option Description.
GSTS2	Glide S/Steel Drop Down Solid Tray Slide	2-1Gn	825 x 302 x (base-55)	3	S/steel solid tray slide, drop down bracket type, up position depth + 302 mm to base unit, down position depth + 40mm to base unit. Trayslide height = base unit (h) - 50mm.
GSTS3	Glide S/Steel Drop Down Solid Tray Slide	3-1Gn	1175 x 302 x (base-55)	5	
GSTS4	Glide S/Steel Drop Down Solid Tray Slide	4-1Gn	1525 x 302 x (base-55)	7	
GSTS5	Glide S/Steel Drop Down Solid Tray Slide	5-1Gn	1875 x 302 x (base-55)	9	



Glide S/Steel Rear Deli Preparation Shelf (+1 Cutting Board)

(For Eutectic Well - No Gantry)

Code	Description	Capacity (Gn)	Dimensions (L x D x H mm)	Weight (kg)	Option Description.
GEPS2	Glide Eut. Rear Prep. Shelf (+1 Cutting Bd.)	2-1	7020 x 180 x 15	3	Eutectic well rear s/steel deli preparation shelf, 180mm (d), + 15mm (h) above worktop, supplied with (1) 1-1 Gn hook over polypropelene cutting board, cutting board dimensions: 350mm (l) x 250(d) x 30(h).
GEPS3	Glide Eut. Rear Prep. Shelf (+1 Cutting Bd.)	3-1	1070 x 180 x 15	4	
GEPS4	Glide Eut. Rear Prep. Shelf (+1 Cutting Bd.)	4-1	1420 x 180 x 15	5	
GEPS5	Glide Eut. Rear Prep. Shelf (+1 Cutting Bd.)	5-1	1770 x 180 x 15	6	



Glide Extra 1-1 Gn Cutting Board

(For Eutectic Well - No Gantry)

Code	Description	Capacity (Gn)	Dimensions (L x D x H mm)	Weight (kg)	Option Description.
KCB1	Hook On White Polyethylene Cutting Bd.	1-1 Gn	350 x 250 x 30	0.5	1-1 Gn polypropelene white chopping board, 350 mm(l) x 250 mm(d) x 30 mm(h), hook on. (For use with Glide rear preparation shelf option GPS2-5).



Glide Extra 1-1 Gn S/Steel Eutectic Cooling Plate

(For Eutectic Well - No Gantry)

Code	Description	Capacity (Gn)	Dimensions (L x D x H mm)	Weight (kg)	Option Description.
GEP1	Glide S/Steel Eutectic Cooling Gel Plate	1-1 Gn.	530x 325 x 45	4	Eutectic well 1-1 Gn, food-safe s/steel eutectic cold plate, 530(l) x 325(w) x 45(h), charged in deep freeze overnight prior to use. Provides a contact cool surface for pre-chilled product to stand on. (For use with Glide eutectic well only).

Eutectic well 1-1 Gn, food-safe s/steel eutectic cold plate, 530(l) x 325(w) x 45(h), charged in deep freeze overnight prior to use. Provides a contact cool surface for pre-chilled product to stand on. (For use with Glide eutectic well only).





Eutectic Plate Cold Well

FINISHES & POPULAR CODES



Colour Finishes To Base Panels (Front & Sides)

Option Description. 11 alternative choices of durable leathergrain plastisol steel colours & wood effect laminated steel for front/ side panels.



Model GEW3,
Option GPREDCHA3 Shown



Model GEW3,
Option GADG3 + GCREMCHA3 Shown

Code	Description	Capacity (Gn)
Ocean Blue (BS 18C37)		
GBLUECHA2	Glide Blue Fascia Cold	2-1Gn
GBLUECHA3	Glide Blue Fascia Cold	3-1Gn
GBLUECHA4	Glide Blue Fascia Cold	4-1Gn
GBLUECHA5	Glide Blue Fascia Cold	5-1Gn
Goosewing Light Grey (BS 10A05)		
GGREYCHA2	Glide Grey Fascia Cold	2-1Gn
GGREYCHA3	Glide Grey Fascia Cold	3-1Gn
GGREYCHA4	Glide Grey Fascia Cold	4-1Gn
GGREYCHA5	Glide Grey Fascia Cold	5-1Gn
Poppy Red (BS 04E5B)		
GPREDCHA2	Glide Red Fascia Cold	2-1Gn
GPREDCHA3	Glide Red Fascia Cold	3-1Gn
GPREDCHA4	Glide Red Fascia Cold	4-1Gn
GPREDCHA5	Glide Red Fascia Cold	5-1Gn
White (BS 00E55)		
GWHITCHA2	Glide White Fascia Cold	2-1Gn
GWHITCHA3	Glide White Fascia Cold	3-1Gn
GWHITCHA4	Glide White Fascia Cold	4-1Gn
GWHITCHA5	Glide White Fascia Cold	5-1Gn
Wood Grain Effect Panel, DL85 Walnut Finish		
GWALNCHA2	Glide Walnut Fascia Cold	2-1Gn
GWALNCHA3	Glide Walnut Fascia Cold	3-1Gn
GWALNCHA4	Glide Walnut Fascia Cold	4-1Gn
GWALNCHA5	Glide Walnut Fascia Cold	5-1Gn

(For Eutectic Well - No Gantry)

Code	Description	Capacity (Gn)
Satin S/Steel (430 gd.)		
GSSTLCHA2	Glide S/Steel Fascia Cold	2-1Gn
GSSTLCHA3	Glide S/Steel Fascia Cold	3-1Gn
GSSTLCHA4	Glide S/Steel Fascia Cold	4-1Gn
GSSTLCHA5	Glide S/Steel Fascia Cold	5-1Gn
Forest Green/Heritage (RAL 6002)		
GGRENCHA2	Glide Green Fascia Cold	2-1Gn
GGRENCHA3	Glide Green Fascia Cold	3-1Gn
GGRENCHA4	Glide Green Fascia Cold	4-1Gn
GGRENCHA5	Glide Green Fascia Cold	5-1Gn
Buttermilk Cream/ Honesty (BS 10C31)		
GCREMCHA2	Glide Cream Fascia Cold	2-1Gn
GCREMCHA3	Glide Cream Fascia Cold	3-1Gn
GCREMCHA4	Glide Cream Fascia Cold	4-1Gn
GCREMCHA5	Glide Cream Fascia Cold	5-1Gn
Black (BS 00E53)		
GBLAKCHA2	Glide Black Fascia Cold	2-1Gn
GBLAKCHA3	Glide Black Fascia Cold	3-1Gn
GBLAKCHA4	Glide Black Fascia Cold	4-1Gn
GBLAKCHA5	Glide Black Fascia Cold	5-1Gn
Wood Grain Effect Panel, DL76 Beech Finish		
GBECCCHA2	Glide Beech Fascia Cold	2-1Gn
GBECCCHA3	Glide Beech Fascia Cold	3-1Gn
GBECCCHA4	Glide Beech Fascia Cold	4-1Gn
GBECCCHA5	Glide Beech Fascia Cold	5-1Gn
Wood Grain Effect Panel, DL84 Oak Finish		
GOAKCHA2	Glide Oak Fascia Cold	2-1Gn
GOAKCHA3	Glide Oak Fascia Cold	3-1Gn
GOAKCHA4	Glide Oak Fascia Cold	4-1Gn
GOAKCHA5	Glide Oak Fascia Cold	5-1Gn

POPULAR MODEL & OPTION CODES



Glide Eutectic Well (& Gantry)

Model Code	Option Code	Description	Capacity
GEW2	GAG2	Glide Eutectic Well & Gantry	2-1Gn
GEW3	GAG3	Glide Eutectic Well & Gantry	3-1Gn
GEW4	GAG4	Glide Eutectic Well & Gantry	4-1Gn
GEW5	GAG5	Glide Eutectic Well & Gantry	5-1Gn

* Requires 13A 230V Elec. Socket For LED Gantry Lights.
* Reversible Self Help/ Assisted Serve Gantry/ Rear Cupbd.



Glide Eutectic Well (& Deli Gantry)

Model Code	Option Code	Description	Capacity
GEW2	GADG2	Glide Eutectic Well & Deli Gantry	2-1Gn
GEW3	GADG3	Glide Eutectic Well & Deli Gantry	3-1Gn
GEW4	GADG4	Glide Eutectic Well & Deli Gantry	4-1Gn
GEW5	GADG5	Glide Eutectic Well & Deli Gantry	5-1Gn

* Requires 13A 230V Elec. Socket For LED Gantry Lights.
* Assisted Serve Gantry/ Rear Cupbd.



Glide Eutectic Well (& Island Gantry)

Model Code	Option Code	Description	Capacity
GEW2	GAIG2	Glide Eutectic Well & Island Gantry	2-1Gn
GEW3	GAIG3	Glide Eutectic Well & Island Gantry	3-1Gn
GEW4	GAIG4	Glide Eutectic Well & Island Gantry	4-1Gn
GEW5	GAIG5	Glide Eutectic Well & Island Gantry	5-1Gn

* Requires 13A 230V Elec. Socket For LED Gantry Lights.
* Self Help Gantry/ Rear Cupbd.



Glide Eutect. Well/ No Gantry (& Tray Rail)

Model Code	Option Code	Description	Capacity
GEW2	GTTS2	Glide Eutectic Well No Gantry + T.Rail	2-1Gn
GEW3	GTTS3	Glide Eutectic Well No Gantry + T.Rail	3-1Gn
GEW4	GTTS4	Glide Eutectic Well No Gantry + T.Rail	4-1Gn
GEW5	GTTS5	Glide Eutectic Well No Gantry + T.Rail	5-1Gn

* Rear Cupboard

Glide Eutectic Well (& Gantry/ Tray Rail)

Model Code	Option Code	Option Code	Description	Capacity
GEW2	GAG2	GTTS2	Glide Eutectic Well & Gantry + T. Rail	2-1Gn
GEW3	GAG3	GTTS3	Glide Eutectic Well & Gantry + T. Rail	3-1Gn
GEW4	GAG4	GTTS4	Glide Eutectic Well & Gantry + T. Rail	4-1Gn
GEW5	GAG5	GTTS5	Glide Eutectic Well & Gantry + T. Rail	5-1Gn

* Requires 13A 230V Elec. Socket For LED Gantry Lights.
* Reversible Self Help/ Assisted Serve Gantry/ Rear Cupbd.



Glide Eutectic Well (& Deli Gantry/ Rear Prep. Shelf)

Model Code	Option Code	Option Code	Description	Capacity
GEW2	GADG2	GEPS2	Glide Eut. Well & Deli Gantry (+ R.Shelf)	2-1Gn
GEW3	GADG3	GEPS3	Glide Eut. Well & Deli Gantry (+ R.Shelf)	3-1Gn
GEW4	GADG4	GEPS4	Glide Eut. Well & Deli Gantry (+ R.Shelf)	4-1Gn
GEW5	GADG5	GEPS5	Glide Eut. Well & Deli Gantry (+ R.Shelf)	5-1Gn

* Requires 13A 230V Elec. Socket For LED Gantry Lights.
* Assisted Serve Gantry/ Rear Cupbd.

Glide Eutectic Well (& Island Gantry/ 2x Tray Rails)

Model Code	Option Code	Option Code	Description	Capacity
GEW2	GAIG2	(2x) GTTS2	Glide Eutectic Well Isl. Gantry + T. Rail	2-1Gn
GEW3	GAIG3	(2x) GTTS3	Glide Eutectic Well Isl. Gantry + T. Rail	3-1Gn
GEW4	GAIG4	(2x) GTTS4	Glide Eutectic Well Isl. Gantry + T. Rail	4-1Gn
GEW5	GAIG5	(2x) GTTS5	Glide Eutectic Well Isl. Gantry + T. Rail	5-1Gn

* Requires 13A 230V Elec. Socket For LED Gantry Lights.
* Self Help Gantry/ Rear Cupbd.

Glide Eutectic Well/ No Gantry (Colour Finish Red)

Model Code	Option Code	Description	Capacity
GEW2	GPREDCHA2	Glide Eutectic Well No Gantry (Red)	2-1 Gn
GEW3	GPREDCHA3	Glide Eutectic Well No Gantry (Red)	3-1 Gn
GEW4	GPREDCHA4	Glide Eutectic Well No Gantry (Red)	4-1 Gn
GEW5	GPREDCHA5	Glide Eutectic Well No Gantry (Red)	5-1 Gn

* Rear Cupboard



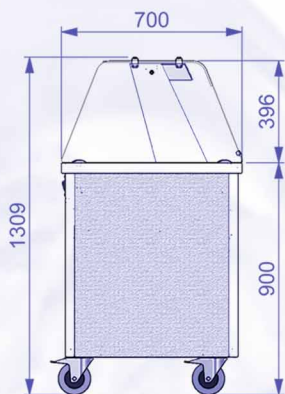


Eutectic Plate Cold Well

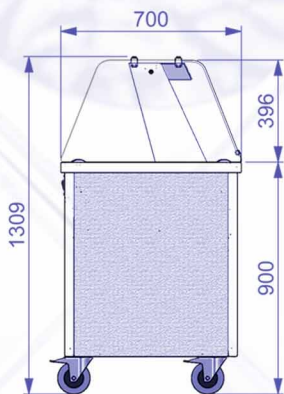
MODEL & GANTRY DIMENSIONS



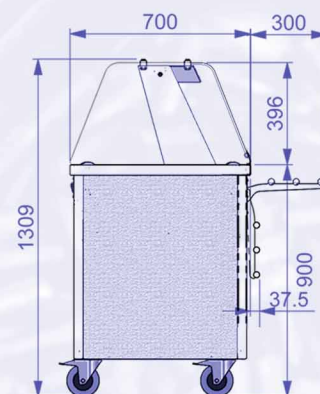
* Requires 13A 230V Electrical Socket



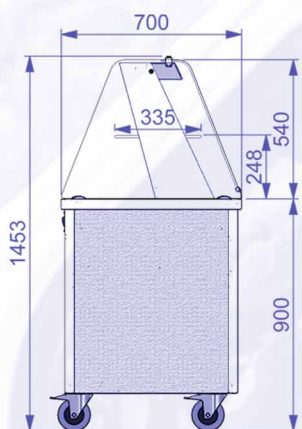
Glide Eutectic Well (& Gantry) *
Self Help Glass Position



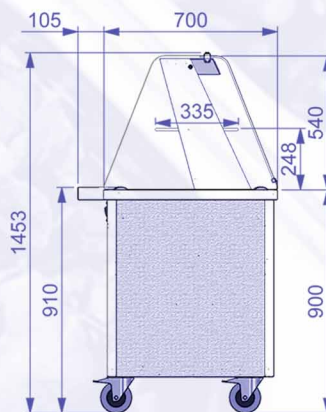
Glide Eutectic Well (& Gantry) *
Assisted Service Glass Position



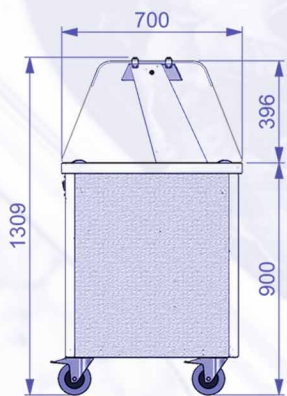
Glide Eutectic Well (& Gantry/ Tray Rail) *



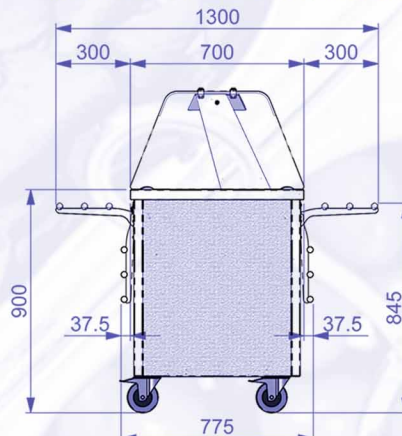
Glide Eutectic Well (& Deli Gantry) *



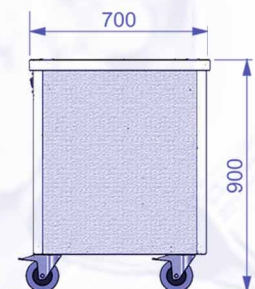
Glide Eutectic Well (& Deli Gantry/ Rear Shelf) *



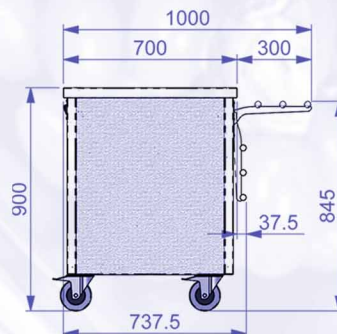
Glide Eutectic Well (& Island Gantry) *



Glide Eutectic Well (& Island Gantry/ 2x Tray Rails) *



Glide Eutectic Well - No Gantry



Glide Eutectic Well - No Gantry (& Tray Rail)

