



# Kubus (Drop In) Ambient Patisserie



Model KPA9FBD



Model KPA12D

## ABOUT

The open rear ambient patisserie is ideal for displaying confectionery, fruit, baked goods or drinks & forms part of the Kubus range of 'drop in' serve over height patisseries - a choice of cold, hot & ambient commercial drop in displays that fit in servery counter worktops, to suit either self help or assisted service retail operations.

The open rear patisserie is available as self help or assisted serve with optional rear doors for loading. A wall sited self help model with fixed steel back panel is also offered.

The Kubus self contained drop in display is available in three different lengths, with optional rear doors or a fixed back panel, to lay out the equipment around your serving space.

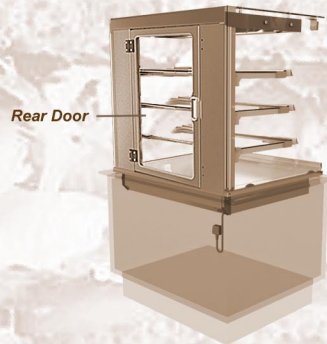
The display comprises four ambient display levels, each illuminated by 4000k LED lighting - perfect for presentation of fruit and other morning goods. The display also features 3 tiers of sturdy glass shelving and a steel merchandising deck - each shelf is fitted with 40mm point of sale ticket strips.

A lighting switch is mounted in the gantry soffit, the ambient drop in display also has a 3m lead and a UK plug underneath.

## OPTIONS

### Rear Door

A factory fitted double glazed rear door is available to the open rear for restocking access, or to enclose to match adjacent Kubus cold or heated drop in patisserie models.



Rear Door

## FEATURES

Download All Technical Drawings From [www.cedfabsltd.co.uk](http://www.cedfabsltd.co.uk)

### Model Sizes.

The Kubus self help or assisted service drop in ambient patisserie is an open or closed glass front patisserie, available in 600mm, 900mm & 1200mm lengths, ideal for the display of wrapped and unwrapped morning goods, ambient produce and drinks.

### 3 Tier Shelving & Deck Storage Capacity.

The display features 3 toughened glass shelves (adjustable in height & angle) & a s/ steel bottle storage deck below. The glass shelving has product stops & 40mm(h) ticket strip holders to the front edge of each shelf.

### LED Lighting.

Canopy & shelf lighting is provided in a low energy LED fitting with opaque cover, colour 4000k. Switched lighting control is provided in canopy head.

### Model Type: Self Help Drop In Ambient Patisserie (Open Rear).

Serve over height open fronted self help display, with open rear loading to four display levels, each illuminated by 4000k LED lighting. Optional rear doors are available.

### Model Type: Self Help Drop In Ambient Patisserie (Fixed Back).

This open fronted self help ambient patisserie is supplied for wall sited use, with stainless steel back panel for positioning in an alcove, a wall sited counter or back to back, forming a central island grab and go station!

Each of the four display levels are illuminated by 4000k LED lighting.

### Model Type: Assisted Service Drop In Ambient Patisserie (Open Rear).

Features a full glazed front screen that tilts forward for cleaning. Re-stocking access is through the open rear to all four display levels. Diffused LED lighting is included to each level. Optional factory fitted rear doors are available.

### Panoramic Glass Side & Top Panels

Top glass allows for serve over operation & side glass panels add natural lighting.

### Model Dimensions.

600mm/ 900mm & 1200mm (L) x 750mm (D) x 843mm (H) Above Wktop, 950mm (H) O/all.

### Finishes.

Worktop & rear frame 430gd s/steel, deck area 304gd s/steel, toughened glass shelving, sides & serve over top.

### Power Supply.

Supplied with 3m lead & 13 amp UK plug (13A 230v 50Hz).

**Equipment Conformity.** CE & UKCA Certified equipment.



Model KPA9D

## Self Help (Drop In) Ambient Patisserie (Open Rear)

Code	Description	Dimensions (L x D x H mm)	Storage (Litres)	Door Option Code	Weight (kg)	Power Rating (kW)
KPA6D	Kubus D/In S.Help Ambient Patiss (Open Rear) 600	600 x 750 x 843/950	162 lt.	KDR6	110	0.1
KPA9D	Kubus D/In S.Help Ambient Patiss (Open Rear) 900	900 x 750 x 843/950	247 lt.	KDR9	150	0.1
KPA12D	Kubus D/In S.Help Ambient Patiss (Open Rear) 1200	1200 x 750 x 843/950	331 lt.	KDR12	190	0.1

\*Switched lighting control in canopy head\*

**Model Description.** Kubus drop in self help ambient patisserie, open rear, 6/9/1200(l) x 750(d) x 843/950 (h), glass shelves (3) c/w ticket strips, steel display deck area (1), LED lighting to each tier, colour 4000k, canopy light switch, glazed side panels. S/ steel deck plates, recessed tank underneath drop in display, lighting switch mounted in gantry soffit, 3m lead, 13A 230v UK plug top.

## Self Help (Drop In) Ambient Patisserie (Fixed Back)

Code	Description	Dimensions (L x D x H mm)	Storage (Litres)	Weight (kg)	Power Rating (kW)
KPA6FBD	Kubus D/In S.Help Ambient Patiss. (F.Back) 600	600 x 750 x 843/950	162 lt.	110	0.1
KPA9FBD	Kubus D/In S.Help Ambient Patiss. (F.Back) 900	900 x 750 x 843/950	247 lt.	150	0.1
KPA12FBD	Kubus D/In S.Help Ambient Patiss. (F.Back) 1200	1200 x 750 x 843/950	331 lt.	190	0.1

\*Switched lighting control in canopy head\*

**Model Description.** Kubus drop in self help ambient patisserie, fixed s/steel back panel, 6/9/1200(l) x 750(d) x 843/950 (h), glass shelves (3) c/w ticket strips, steel display deck area (1), LED lighting to each tier, colour 4000k, canopy light switch, glazed side panels. S/ steel deck plates, recessed tank underneath drop in display, lighting switch mounted in gantry soffit, 3m lead, 13A 230v UK plug top.

## Assisted Service (Drop In) Ambient Patisserie (Open Rear)

Code	Description	Dimensions (L x D x H mm)	Storage (Litres)	Door Option Code	Weight (kg)	Power Rating (kW)
KPA6ASD	Kubus D/In A.Serve Cold Patiss. (Open Rear) 600	600 x 750 x 843/950	162 lt.	KDR6	110	0.1
KPA9ASD	Kubus D/In A.Serve Cold Patiss. (Open Rear) 900	900 x 750 x 843/950	247 lt.	KDR9	150	0.1
KPA12AD	Kubus D/In A.Serve Cold Patiss. (Open Rear) 1200	1200 x 750 x 843/950	331 lt.	KDR12	190	0.1

**Model Description.** Kubus drop in ass. serve ambient patisserie, full height front glass c/w tilt hinge, open rear, 6/9/1200(l) x 750(d) x 843/950 (h), glass shelves (3) c/w ticket strips, steel display deck area (1), LED lighting to each tier, colour 4000k, canopy light switch, glazed side panels. S/ steel deck plates, recessed tank underneath drop in display, lighting switch mounted in gantry soffit, 3m lead, 13A 230v UK plug top.

\*Switched lighting control in canopy head\*



KPA12D Shown



KPA12FBD Shown



KPA12ASD Shown

Tel : 01254 238 282

CED Fabrications Limited (Head Office), Units A1-A4 Falcon Court  
Clayton Business Park, Clayton-Le-Moors, Hyndburn, Lancashire BB5 5JD

[www.cedfabsltd.co.uk](http://www.cedfabsltd.co.uk)

[sales@cedlimited.com](mailto:sales@cedlimited.com)



# Kubus (Drop In) Ambient Patisserie

## OPTIONS & DIMENSIONS



Option: Rear Door

### OPTIONS

#### Rear Door/s

Code Description

KDR6 Rear Door (D/In Self Help /Ass. Serve Patis. Open Rear)  
 KDR9 Rear Door (D/In Self Help /Ass. Serve Patis. Open Rear)  
 KDR12 Rear Door (D/In Self Help /Ass. Serve Patis. Open Rear)

For Model  
(Code)

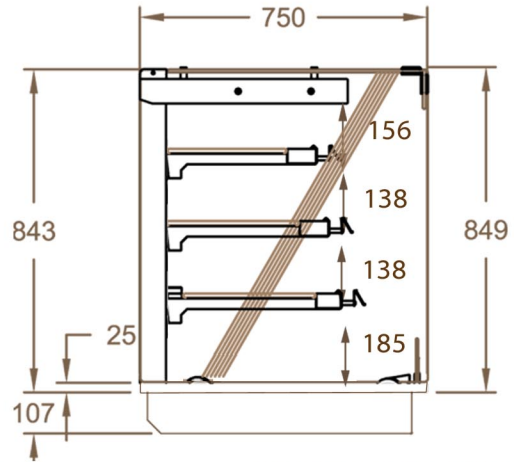
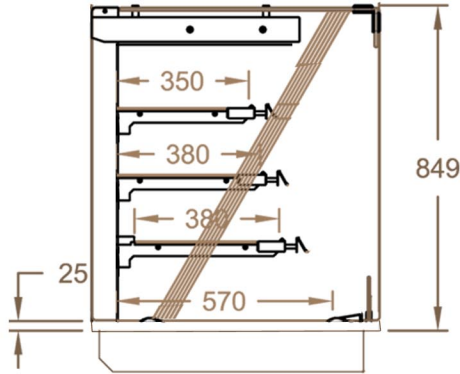
Weight  
(kg)

Option Description.

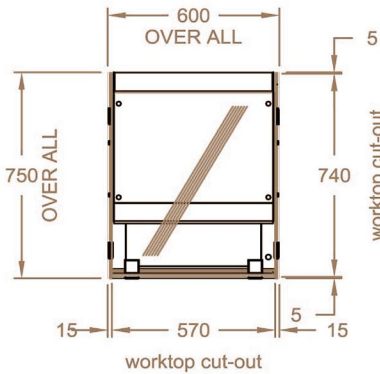
KPA6D - KPA6ASD 3 Rear double glazed door/s added to open rear of model, to enclose rear open merchandising access. Factory fit.  
 KPA9D - KPA9ASD 3  
 KPA12D - KPA12ASD 6

#### (Self Help Drop In Amb. Patis - Open Rear)

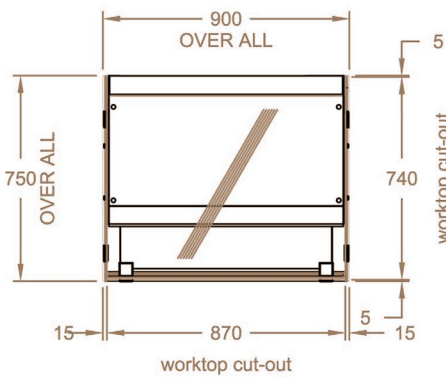
### DIMENSIONS



#### 600 Amb. Patis. (Open Rear)



#### 900 Amb. Patis. (Open Rear)



#### 1200 Amb. Patis. (Open Rear)

