



# Wall Sited Bain Marie Hot Cupboard (Dry)



Wall Sited Dry Bain Marie Hot Cupboard (Rear Side)

Wall Sited Dry Bain Marie Hot Cupboard (Customer Side)

## ABOUT

The wall sited dry heat bain marie & hot cupboard forms part of the Glide range of mobile dining carts - a choice of cold, hot & ambient commercial catering carts that combine to form a food service counter solution as unique as your requirements!

The wall sited bain marie hot cupboard fits neatly against walls, in an alcove, recess or back to back when used as island units. The cupboard features a bain marie section with removable container supports, formed in the worktop to accept up to 150mm deep Gn containers (not included). The containers are heated by both suspended elements and residual heat from the hot cupboard underneath. The hot cupboard uses fan blown heating to evenly distribute heat around the cupboard. The model is made in 4 sizes to suit service layout.

Behind lift-off front facing sliding s/steel cupboard doors, are two tiers of removable, height adjustable grid shelves for plate/ container storage. The wire shelves help distribute heat around the cupboard and support up to ten 1-1 Gn size (150mm deep) Gn containers, depending on the cupboard size. The rear & side base panels are finished in leathergrain plastisol steel, colour merlin grey (BS 18B25). Each model comes with lockable castors.

## ACCESSORIES & FINISHES

### Folding Steel Solid or Tubular Tray Slides.

Drop down tray rails or slides + 40mm (d) height = (h) - 55mm.

### Selection Of Colour Finishes To Bases.

11 alternative choices of durable steel, colour & wood effect for the external rear/ side base panels.

\*\*Front sliding cupboard doors are retained in a s/steel finish\*\*

### Selection Of Bain Marie Inserts.

A choice of glass hotplate adaptors for short term holding, a spiked carvery insert & dual 4 litre soup/ gravy container insert - for use with hot gantry option - are available.



## HEIGHT OPTIONS

### Low Height Model (Glide Junior).

850mm or 800mm high options for junior/ primary use.



Download All Technical Drawings From [www.cedfabsltd.co.uk](http://www.cedfabsltd.co.uk)

## GANTRY OPTIONS

### Heated Gantry.

A heated self help gantry option provides essential top surface heat for the food in the bain marie containers below.

## FEATURES

### Model Type.

The Glide wall sited bain marie hot cupboard is a mobile bain marie & heated storage station with full rear/ side fascia panels, a s/steel bain marie worktop & hot cupboard with two tier wire rack shelving below. Each shelf is adjustable in height and fully removable for cleaning. The front facing customer side s/steel sliding cupboard doors are also removable.

### Model Dimensions.

The BM hot cupboard is available as 2-1Gn (825mm), 3-1Gn (1175mm), 4-1Gn (1525mm) & 5-1 Gn (1875mm) long x 700mm (D), 900mm (H) & has locking heavy duty castors.

### Model Finishes.

Rear and outer end panels in plastisol steel, colour merlin grey. The bain marie worktop is made from 304 gd s/steel & the front facing sliding hot cupboard doors are made in 430gd. s/steel.

### Low Maintenance.

Easy, cleanable surfaces and a durable design ensure low maintenance for users.

### Finishes & Options.

The cupboard can be customised with many accessories such as tray slides, tray rails, coloured rear/ side panel finishes, heated gantry, low height versions for junior/ primary age use & a selection of bain marie inserts, soup/ gravy containers & adaptors.

### Power Supply.

The wall sited cupboard is supplied with a 3m lead & 13 amp UK plug (13A 230v 50Hz). (The 5-1 Gn model with hot gantry option = 16A commando plug).

### Equipment Conformity.

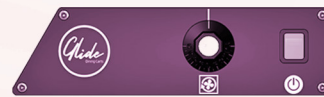
CE & UKCA Certified equipment.

### Temperature Controls.

The bain marie & fan assisted hot cupboard under feature a thermostat control. Gantry options & mains power are operated by individual neon indicator switches.

(See Below)

(Wall Sited Bain Marie Hot Cupboard)



BM & HC Power

(Wall Sited Bain Marie Hot Cupboard & Gantry)



BM & HC Gantry Power

## Glide Wall Sited Dry Bain Marie Hot Cupboard (No Gantry)

Total Power (kW)

Code	Description	Capacity (Gn)	Dimensions (L x D x H mm)	Depth With Tray Slide Up/ Down	Weight (kg)	No Gantry	+ Hot Gantry
GWSHBM2	Glide WS Dry B.Marie Hot.Cupd No Gantry 2-1	825	825 x 700 x 900	1000/ 740mm	45	1.68	2.08
GWSHBM3	Glide WS Dry B.Marie Hot.Cupd No Gantry 3-1	1175	1175 x 700 x 900	1000/ 740mm	67	1.73	2.33
GWSHBM4	Glide WS Dry B.Marie Hot.Cupd No Gantry 4-1	1525	1525 x 700 x 900	1000/ 740mm	90	1.73	2.53
GWSHBM5	Glide WS Dry B.Marie Hot.Cupd No Gantry 5-1	1875	1875 x 700 x 900	1000/ 740mm	112	2.23	3.23 16A

**Model Description.** Glide mobile dining cart, (wall sited) dry well bain marie top (no gantry), electric, suspended heat elements, 700(d) x 900(h), BM accommodates 1-1 Gn 150mm (d) containers (not included), removable Gn container supports, front facing fan assist. hotcupboard under with removable front facing sliding s/steel doors & internal grid shelves for plate/ Gn container holding. Rear/side base panels in leathergrain plastisol steel, colour merlin grey (BS 18B25), lockable castors, control panel to customer side, 3m lead, 13A UK plug top. Bain Marie & H/cupb. feature thermostatic controls & neon mains power on/off switch. Gantry options are controlled by neon on/off switch. 230V 50Hz 13A Elec. (Gantry/ Tray Rails Optional) (5/1Gn model + hot gantry = 16A commando plug)

\*For best performance (no gantry model) always use lids on Gn containers when not serving, stir food held in containers regularly\*



Rear Side

Customer Side

## Glide S/Steel Folding Tubular Tray Rail

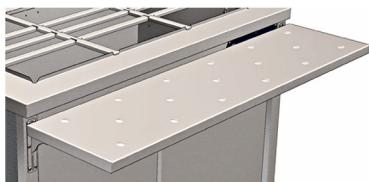
## For Dry BM Hot Cupbd (Wall Sited)

Code	Description	Capacity (Gn)	Dimensions (L x D x H mm)	Weight (kg)	Option Description.
GTTS2	Glide S/Steel Drop Down Tray Rail	2-1 Gn	825 x 298 x (base-55)	2	S/steel tubular tray rail, 304 gd. Ø25 tube, drop down bracket type, up position depth + 298 mm to base unit, down position depth + 40mm to base unit. Trayslide height = base unit (h) - 55mm.
GTTS3	Glide S/Steel Drop Down Tray Rail	3-1 Gn	1175 x 298 x (base-55)	3	
GTTS4	Glide S/Steel Drop Down Tray Rail	4-1 Gn	1525 x 298 x (base-55)	5	
GTTS5	Glide S/Steel Drop Down Tray Rail	5-1 Gn	1875 x 298 x (base-55)	7	

## Glide S/Steel Folding Solid Tray Slide

## For Dry BM Hot Cupbd (Wall Sited)

Code	Description	Capacity (Gn)	Dimensions (L x D x H mm)	Weight (kg)	Option Description.
GSTS2	Glide S/Steel Drop Down Solid Tray Slide	2-1Gn	825 x 302 x (base-55)	3	S/steel solid tray slide, drop down bracket type, up position depth + 302 mm to base unit, down position depth + 40mm to base unit. Trayslide height = base unit (h) - 55mm.
GSTS3	Glide S/Steel Drop Down Solid Tray Slide	3-1Gn	1175 x 302 x (base-55)	5	
GSTS4	Glide S/Steel Drop Down Solid Tray Slide	4-1Gn	1525 x 302 x (base-55)	7	
GSTS5	Glide S/Steel Drop Down Solid Tray Slide	5-1Gn	1875 x 302 x (base-55)	9	

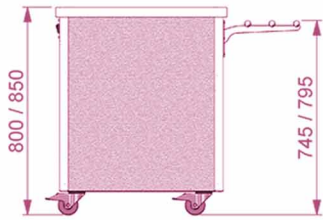






# Wall Sited Bain Marie Hot Cupboard (Dry)

## FINISHES, INSERTS, HEIGHT & GANTRY OPTIONS



### Low Height Model (Glide Junior) - 800/ 850mm (h)

Code	Description	Base Height (mm)	Optional Tray Slide Height (mm)
G800H**	Glide Base Unit 800mm Height	800	745
G850H	Glide Base Unit 850mm Height	850	795

\*\*G800H Bespoke Option (With Extended lead Time)

### For Dry BM Hot Cupbd (Wall Sited)

**Option Description.**  
Lower height option codes for junior/ primary use.  
**\*\*800mm (h) base unit, c/w 100mm lockable castors.**  
(Optional trayslide height becomes 745mm high)\*\*

**850mm (h) base unit, c/w 100mm lockable castors.**  
(Optional trayslide height becomes 795mm high).

### Colour Finishes To Base Panels (Rear & Sides Only)

**Option Description.** 11 choices of leathergrain plastisol steel colours/ wood effect laminated steel for rear fascia panel/ external ends.  
\* Front facing sliding cupboard doors & valance panel remain as stainless steel finish \*

Code	Description	Capacity	Code	Description	Capacity
<b>Ocean Blue (BS 18C37)</b>					
GBLUECHA2	Glide Blue Fascia - Ambient	2-1Gn	GSSTLCHA2	Glide S/Steel Fascia - Ambient	2-1Gn
GBLUECHA3	Glide Blue Fascia - Ambient	3-1Gn	GSSTLCHA3	Glide S/Steel Fascia - Ambient	3-1Gn
GBLUECHA4	Glide Blue Fascia - Ambient	4-1Gn	GSSTLCHA4	Glide S/Steel Fascia - Ambient	4-1Gn
GBLUECHA5	Glide Blue Fascia - Ambient	5-1Gn	GSSTLCHA5	Glide S/Steel Fascia - Ambient	5-1Gn
<b>Goosewing Light Grey (BS 10A05)</b>					
GGREYCHA2	Glide Grey Fascia - Ambient	2-1Gn	GGRENCHA2	Glide Green Fascia - Ambient	2-1Gn
GGREYCHA3	Glide Grey Fascia - Ambient	3-1Gn	GGRENCHA3	Glide Green Fascia - Ambient	3-1Gn
GGREYCHA4	Glide Grey Fascia - Ambient	4-1Gn	GGRENCHA4	Glide Green Fascia - Ambient	4-1Gn
GGREYCHA5	Glide Grey Fascia - Ambient	5-1Gn	GGRENCHA5	Glide Green Fascia - Ambient	5-1Gn
<b>Poppy Red (BS 04E5B)</b>					
GPREDCHA2	Glide Red Fascia - Ambient	2-1Gn	GCREMCHA2	Glide Cream Fascia - Ambient	2-1Gn
GPREDCHA3	Glide Red Fascia - Ambient	3-1Gn	GCREMCHA3	Glide Cream Fascia - Ambient	3-1Gn
GPREDCHA4	Glide Red Fascia - Ambient	4-1Gn	GCREMCHA4	Glide Cream Fascia - Ambient	4-1Gn
GPREDCHA5	Glide Red Fascia - Ambient	5-1Gn	GCREMCHA5	Glide Cream Fascia - Ambient	5-1Gn
<b>White (BS 00E55)</b>					
GWHITCHA2	Glide White Fascia - Ambient	2-1Gn	GBLAKCHA2	Glide Black Fascia - Ambient	2-1Gn
GWHITCHA3	Glide White Fascia - Ambient	3-1Gn	GBLAKCHA3	Glide Black Fascia - Ambient	3-1Gn
GWHITCHA4	Glide White Fascia - Ambient	4-1Gn	GBLAKCHA4	Glide Black Fascia - Ambient	4-1Gn
GWHITCHA5	Glide White Fascia - Ambient	5-1Gn	GBLAKCHA5	Glide Black Fascia - Ambient	5-1Gn
<b>Wood Grain Effect Panels DL85 Walnut Finish</b>					
GWALNCHA2	Glide Walnut Fascia - Ambient	2-1Gn	GBECCCHA2	Glide Beech Fascia - Ambient	2-1Gn
GWALNCHA3	Glide Walnut Fascia - Ambient	3-1Gn	GBECCCHA3	Glide Beech Fascia - Ambient	3-1Gn
GWALNCHA4	Glide Walnut Fascia - Ambient	4-1Gn	GBECCCHA4	Glide Beech Fascia - Ambient	4-1Gn
GWALNCHA5	Glide Walnut Fascia - Ambient	5-1Gn	GBECCCHA5	Glide Beech Fascia - Ambient	5-1Gn
<b>Wood Grain Effect Panels DL84 Oak Finish</b>					
GOAKCHA2	Glide Oak Fascia - Ambient	2-1Gn			
GOAKCHA3	Glide Oak Fascia - Ambient	3-1Gn			
GOAKCHA4	Glide Oak Fascia - Ambient	4-1Gn			
GOAKCHA5	Glide Oak Fascia - Ambient	5-1Gn			



Model GWSHBM3  
Option GGRENCHA3 Shown



Model GWSHBM3  
Option GBEECCHA3 Shown

### GANTRY OPTIONS

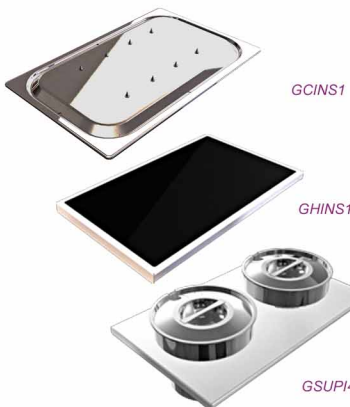


### Glide Wall Sited Heated Gantry c/w Infra Red Lamps (Self Help) Dry BM Hot Cupbd (Wall Sited)

Code	Description	Capacity (Gn)	Dimensions (L x D x H mm)	Weight (kg)	Power (kW)
GWSHG2	Glide Wall Sited Hot Gantry S.Help	2-1Gn	825 x 700 x 397	7	0.4
GWSHG3	Glide Wall Sited Hot Gantry S.Help	3-1Gn	1175 x 700 x 397	9	0.6
GWSHG4	Glide Wall Sited Hot Gantry S.Help	4-1Gn	1525 x 700 x 397	12	0.8
GWSHG5	Glide Wall Sited Hot Gantry S.Help	5-1Gn	1875 x 700 x 397	16	1.0

**Option Description.**  
Wall sited hot gantry, s/steel, curved glass sneeze screen, self help use only, + 397(h) above worktop, end glass, fitted with 200w quartz infra-red jacketed safety lamps..

### INSERTS / ADAPTORS



### Glide Spiked Carving Insert (Bain Marie) - 1/1 Gn

\*Use With Heated Gantry Option\*

Code	Description	Capacity (Gn)	Dimensions (W x D x H mm)	Weight (kg)
GCINS1	Glide Carving Insert (B.Marie)	1-1 Gn	325 x 530 x 24	1

### Dry BM Hot Cupbd (Wall Sited) & Hot Gantry

**Option Description.**  
Carving Insert, 1/1 GN, 325mm x 530mm x 24mm (h), removable 8 spiked raised s/steel carving deck, removable juice collection tray, for dry heat & wet bain marie.

### Glide Hotplate Adaptor/ Glide Soup Insert - 1-1 Gn

\*Use With Heated Gantry Option\*

Code	Description	Capacity (Gn)	Dimensions (W x D x H mm)	Weight (kg)
GHINS1	Glide Hot Glass Insert (B.Marie)	1-1 Gn	324 x 520 x 27	1
GSUPI4	Glide 2 x 4.5L Soup Insert (B.Marie)	1-1 Gn	325 x 520 x 64	2

### Dry BM Hot Cupbd (Wall Sited) & Hot Gantry

**Option Description (Hot Glass Insert)**  
1-1 Gn hot glass insert, c/w s/steel surround collar, short term holding only, ideal for sauce dishes.

**Option Description (Soup Insert).**  
1-1 Gn soup container insert c/w s/steel support collar, includes 2 no. 4.5 litre soup or gravy containers & lids.







# Wall Sited Bain Marie Hot Cupboard (Dry)



## POPULAR MODEL CODES

### Glide Wall Sited Dry BM Hot Cupboard (& Tray Slide)

Model Code	Option Description Code	Total Power (kW)
GWSHBM2	GSTS2 WS Dry BM HCupbd. & T/Slide 2-1	2.58
GWSHBM3	GSTS3 WS Dry BM HCupbd. & T/Slide 3-1	2.83
GWSHBM4	GSTS4 WS Dry BM HCupbd. & T/Slide 4-1	2.83
GWSHBM5	GSTS5 WS Dry BM HCupbd. & T/Slide 5-1	2.83

\*Requires 13A 230V Elec. Socket

### Glide Wall Sited Dry BM Hot Cupboard (& Heated Gantry & Tray Slide)

Model Code	Option Code	Option Description Code	Total Power (kW)
GWSHBM2	GWSHG2	GSTS2 WS Dry BM HC & Hot Gntry/ T.Slide 2-1	2.08
GWSHBM3	GWSHG3	GSTS3 WS Dry BM HC. & Hot Gntry/ T.Slide 3-1	2.53
GWSHBM4	GWSHG4	GSTS4 WS Dry BM HC & Hot Gntry/ T.Slide 4-1	2.73
GWSHBM5	GWSHG5	GSTS5 WS Dry BM HC & Hot Gntry/ T.Slide 5-1	2.93

\*Requires 13A 230V Elec. Socket (Self Help Heated Gantry)

### Glide Wall Sited Dry BM Hot Cupboard (& Tray Rail)

Model Code	Option Description Code	Total Power (kW)
GWSHBM2	GTTS2 WS Dry BM HCupbd. & T/Rail 2-1	2.58
GWSHBM3	GTTS3 WS Dry BM HCupbd. & T/Rail 3-1	2.83
GWSHBM4	GTTS4 WS Dry BM HCupbd. & T/Rail 4-1	2.83
GWSHBM5	GTTS5 WS Dry BM HCupbd. & T/Rail 5-1	2.83

\*Requires 13A 230V Elec. Socket

### Glide Wall Sited Dry BM Hot Cupboard (& Colour Finish)

Model Code	Option Code	Description Code	Total Power (kW)
GWSHBM2	GGRENCHA2	WS Dry BM HCupbd.+(Green) 2-1	2.58
GWSHBM3	GGRENCHA3	WS Dry BM HCupbd.+(Green) 3-1	2.83
GWSHBM4	GGRENCHA4	WS Dry BM HCupbd.+(Green) 4-1	2.83
GWSHBM5	GGRENCHA5	WS Dry BM HCupbd.+(Green) 5-1	2.83

\*Requires 13A 230V Elec. Socket

### Glide Wall Sited Dry BM Hot Cupboard (& Heated Gantry)

Model Code	Option Description Code	Total Power (kW)
GWSHBM2	GWSHG2 WS Dry BM HC & Hot Gntry 2-1	2.08
GWSHBM3	GWSHG3 WS Dry BM HC & Hot Gntry 3-1	2.53
GWSHBM4	GWSHG4 WS Dry BM HC & Hot Gntry 4-1	2.73
GWSHBM5	GWSHG5 WS Dry BM HC & Hot Gntry 5-1	2.93

\*Requires 13A 230V Elec. Socket (S.Help/ Ass.Service Gantry)

### Glide Wall Sited Dry BM Hot Cupboard (& Heated Gantry & Tray Rail)

Model Code	Option Code	Option Description Code	Total Power (kW)
GWSHBM2	GWSHG2	GTTS2 WS Dry BM HC & Hot Gntry/ T.Rail 2-1	2.08
GWSHBM3	GWSHG3	GTTS3 WS Dry BM HC. & Hot Gntry/ T.Rail 3-1	2.53
GWSHBM4	GWSHG4	GTTS4 WS Dry BM HC & Hot Gntry/ T.Rail 4-1	2.73
GWSHBM5	GWSHG5	GTTS5 WS Dry BM HC & Hot Gntry/ T.Rail 5-1	2.93

\*Requires 13A 230V Elec. Socket (Self Help Heated Gantry)

### Glide Wall Sited Dry BM Hot Cupboard (& Heated Gantry & Carvery insert)

Description	Total Power (kW)
Wall Sited Dry B.Marie HC/ Hot Gantry/ Carving Insert 2-1	2.08
Wall Sited Dry B.Marie HC/ Hot Gantry/ Carving Insert 3-1	2.53
Wall Sited Dry B.Marie HC/ Hot Gantry/ Carving Insert 4-1	2.73
Wall Sited Dry B.Marie HC/ Hot Gantry/ Carving Insert 5-1	2.93

Model Code	Hot Gantry Option Code	Carv.Insert Option Code	Gn Size
GWSHBM2	GWSHG2	GCINS1 (x1)	2-1 Gn
GWSHBM3	GWSHG3	GCINS1 (x1)	3-1 Gn
GWSHBM4	GWSHG4	GCINS1 (x1)	4-1 Gn
GWSHBM5	GWSHG5	GCINS1 (x1)	5-1 Gn

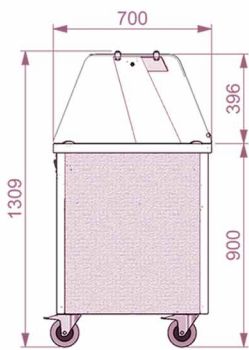
\*Requires 13A 230V Elec. Socket (Self Help Gantry)

### Glide Wall Sited Dry BM Hot Cupboard (& Heated Gantry & Tray Rail & Colour Finish)

Description	Total Power (kW)
Glide Wall Sited Dry BM Hot Cupboard/ Hot Gantry/ Tray Rail (Red) 2-1	2.08
Glide Wall Sited Dry BM Hot Cupboard/ Hot Gantry/ Tray Rail (Red) 3-1	2.53
Glide Wall Sited Dry BM Hot Cupboard/ Hot Gantry/ Tray Rail (Red) 4-1	2.73
Glide Wall Sited Dry BM Hot Cupboard/ Hot Gantry/ Tray Rail (Red) 5-1	2.93

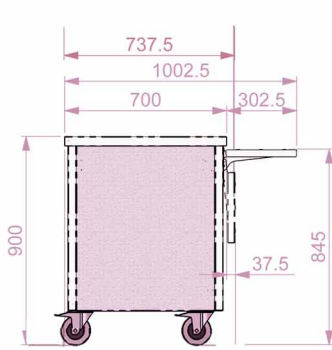
Model Code	Hot Gantry Option Code	Tray Rail Option	Colour (Red) Option Code	Gn Size
GWSHBM2	GWSHG2	GTTS2	GPREDCHA2	2-1 Gn
GWSHBM3	GWSHG3	GTTS3	GPREDCHA3	3-1 Gn
GWSHBM4	GWSHG4	GTTS4	GPREDCHA4	4-1 Gn
GWSHBM5	GWSHG5	GTTS5	GPREDCHA5	5-1 Gn

\*Requires 13A 230V Elec. Socket (Self Help Heated Gantry)

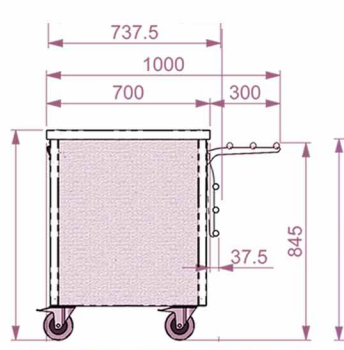


Wall Sited BM Hot Cupbd. (& Hot Gantry)

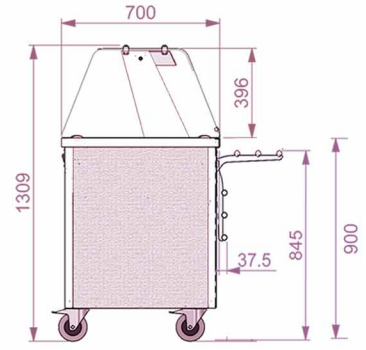
Self Help Position



Glide Wall Sited BM Hot Cupbd. (& Tray Slide)

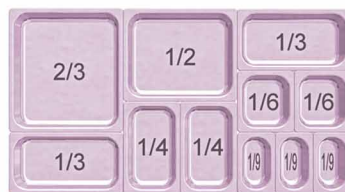


Glide Wall Sited BM Hot Cupbd. (& Tray Rail)



Wall Sited BM Hot Cupbd. (& Hot Gantry/Tray Rail)

Self Help Position



Glide Bain Marie Container Supports Allow Many Gn Container Sizes To Be Used. (3-1 Gn Model Shown)

