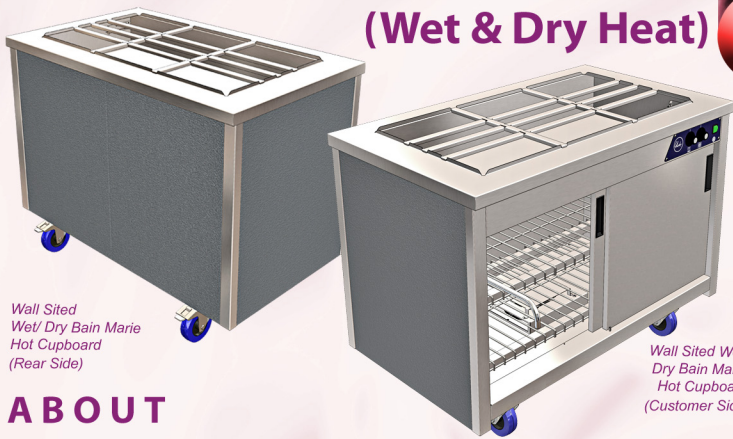




Wall Sited Bain Marie Hot Cupboard (Wet & Dry Heat)



Wall Sited Wet/Dry Bain Marie Hot Cupboard (Rear Side)

Wall Sited Wet/Dry Bain Marie Hot Cupboard (Customer Side)

ABOUT

The wall sited wet & dry heat bain marie hot cupboard forms part of the Glide range of mobile dining carts - a choice of cold, hot & ambient commercial catering carts that combine to form a food service counter solution as unique as your requirements!

The wall sited bain marie hot cupboard (no gantry) fits neatly against walls, in an alcove, recess or back to back when used as island units. The cupbd. features a bain marie top & removable container supports, formed in the worktop to accept up to 150mm deep Gn containers (not included). The Gn pans can be heated by either dry heat or by water from a filled tank with suspended heat elements underneath. A water level fill indicator & manual swivel drain are included within the welded bain marie tank.

The hot cupboard uses fan blown heat to evenly distribute heat around the cupboard. The model is made in 4 sizes to suit servery layout. Behind lift-off front facing sliding s/steel cupboard doors, are two tiers of removable, height adjustable grid shelves for plate/ container storage. The wire shelves help distribute heat around the cupboard and support up to ten 1-1 Gn size (150mm deep) Gn containers, depending on the cupboard size. The rear & side base panels are finished in leathergrain plastisol steel, colour merlin grey (BS 18B25). Each model comes with lockable castors.

ACCESSORIES & FINISHES

Folding Steel Solid or Tubular Tray Slides.

Drop down tray rails or slides + 40mm (d) height = (h) - 55mm.

Selection Of Colour Finishes To Bases.

11 alternative choices of durable steel, colour & wood effect for the external rear/ side base panels.

Front sliding cupboard doors are retained in a s/steel finish

Selection Of Bain Marie Inserts.

Glass hotplate adaptors for short term holding, a spiked carvery insert & dual 4 litre soup/ gravy container insert, all designed for use with the hot gantry option, are available.



HEIGHT OPTIONS

Low Height Model (Glide Junior).

850mm or 800mm high options for junior/ primary use.



Download All Technical Drawings From www.cedfabsltd.co.uk

GANTRY OPTIONS

Heated Gantry.

A heated self help gantry option provides essential top surface heat for the food in the bain marie containers below.

FEATURES

Model Type.

The wall sited wet & dry bain marie hot cupbd. is a mobile bain marie & hot cupboard with full rear/ side fascia panels. The s/steel bain marie worktop has welded tank, fill level indicator & swivel drain under. Heating elements are suspended under the tank to allow dry or wet use. The fan assisted hot cupboard has two tier wire rack shelving. Each shelf is adjustable in height and removes for cleaning. The front facing customer side s/steel sliding cupboard doors are also removable.

Model Dimensions.

The wet & dry BM hot cupboard is available as 2-1Gn (825mm), 3-1Gn (1175mm), 4-1Gn (1525mm) & 5-1 Gn (1875mm) long x 700mm (D), 900mm (H) & has locking castors.

Model Finishes.

Rear and outer end panels in plastisol steel, colour merlin grey. The bain marie worktop is made from 304 gd s/steel & the front facing sliding hot cupboard doors are made in 430gd. s/steel.

Low Maintenance.

Easy, cleanable surfaces and a durable design ensure low maintenance for users.

Finishes & Options.

The wet & dry BM hot cupboard can be customised with many accessories, like tray slides, tray rails, coloured side/ rear finishes, heated gantry, low height versions for junior/ primary age use & a selection of bain marie inserts, soup/ gravy containers & adaptors.

Power Supply.

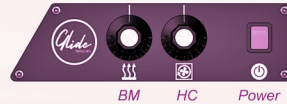
The cupboard is supplied with a 3m lead & 13 amp UK plug (13A 230v 50Hz). Models with the hot gantry option above 3kW are fitted with either 16A or 32A commando plug.

Equipment Conformity.

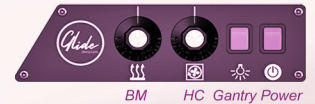
Temperature Controls.

The independently controlled bain marie & fan assisted hot cupbd. each have thermostat control. Gantry option & mains power are operated by individual neon indicator switches.

(Wall Sited Wet/Dry BM Hot Cupboard)



(Wall Sited Wet/Dry BM Hot Cupboard & Gantry)



Rear Side

Customer Side

Glide Wall Sited Wet/Dry BM Hot Cupboard (No Gantry)

Code	Description	Capacity (Gn)	Dimensions (L x D x H mm)	Depth With Tray Slide Up/ Down	Weight (kg)	Total Power (kW)	
						No Gantry	+ Hot Gantry
GWSHBMW2	WS Wet/Dry BM Hot.Cupd No Gantry	2-1	825 x 700 x 900	1000/ 740mm	49	2.43	2.83 16A
GWSHBMW3	WS Wet/Dry BM Hot.Cupd No Gantry	3-1	1175 x 700 x 900	1000/ 740mm	69	2.53	3.13 16A
GWSHBMW4	WS Wet/Dry BM Hot.Cupd No Gantry	4-1	1525 x 700 x 900	1000/ 740mm	92	2.53	3.33 16A
GWSHBMW5	WS Wet/Dry BM Hot.Cupd No Gantry	5-1	1875 x 700 x 900	1000/ 740mm	114	3.03 16A	4.03 32A

Model Description. Glide mobile dining cart (wall sited) wet/dry well bain marie top (no gantry), electric, suspended heat elements, 700(d) x 900(h). BM accommodates 1-1 Gn 150mm (d) containers (not included), removable Gn container supports, BM features welded tank, manual fill, water level indicator, swivel arm drain. Fan assisted hotcupboard below with front facing removable s/steel sliding doors (customer side) & internal grid shelves for plate/ Gn container holding. Rear/side base panels in leathergrain plastisol steel, colour merlin grey (BS 18B25), lockable castors, control panel to customer side, 3m lead.

Wet/dry Bain Marie & H/cupb. each have thermostatic control, neon mains power on/off switch. Gantry options are controlled by neon on/off switch. Electrical supply 230V 50Hz: No gantry = 13A UK plug top/ 16A commando plug. + hot gantry = 16/ 32A commando plug (Gantry/ Tray Rails Optional).

For best performance (no gantry) always use lids on Gn containers when not serving, stir food in containers regularly

Glide S/Steel Folding Tubular Tray Rail

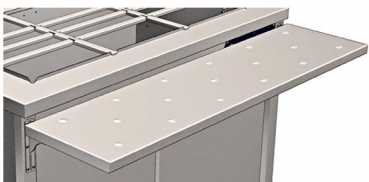
Code	Description	Capacity (Gn)	Dimensions (L x D x H mm)	Weight (kg)	Option Description.
GTTS2	Glide S/Steel Drop Down Tray Rail	2-1 Gn	825 x 298 x (base-55)	2	S/steel tubular tray rail, 304 gd. Ø25 tube, drop down bracket type, up position depth + 298 mm to base unit, down position depth + 40mm to base unit. Trayslide height = base unit (h) - 55mm.
GTTS3	Glide S/Steel Drop Down Tray Rail	3-1 Gn	1175 x 298 x (base-55)	3	
GTTS4	Glide S/Steel Drop Down Tray Rail	4-1 Gn	1525 x 298 x (base-55)	5	
GTTS5	Glide S/Steel Drop Down Tray Rail	5-1 Gn	1875 x 298 x (base-55)	7	

Wet/Dry BM Hot Cupbd (Wall Sited)

Glide S/Steel Folding Solid Tray Slide

Code	Description	Capacity (Gn)	Dimensions (L x D x H mm)	Weight (kg)	Option Description.
GSTS2	Glide S/Steel Drop Down Solid Tray Slide	2-1Gn	825 x 302 x (base-55)	3	S/steel solid tray slide, drop down bracket type, up position depth + 302 mm to base unit, down position depth + 40mm to base unit. Trayslide height = base unit (h) - 55mm.
GSTS3	Glide S/Steel Drop Down Solid Tray Slide	3-1Gn	1175 x 302 x (base-55)	5	
GSTS4	Glide S/Steel Drop Down Solid Tray Slide	4-1Gn	1525 x 302 x (base-55)	7	
GSTS5	Glide S/Steel Drop Down Solid Tray Slide	5-1Gn	1875 x 302 x (base-55)	9	

Wet/Dry BM Hot Cupbd (Wall Sited)





Wall Sited BM Hot Cupboard (Wet & Dry Heat)

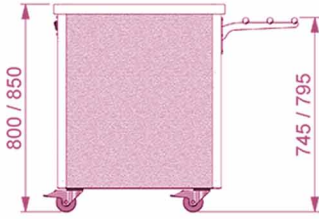
FINISHES, INSERTS,
HEIGHT & GANTRY OPTIONS



Low Height Model (Glide Junior) - 800/ 850mm (h)

Code	Description	Base Height (mm)	Optional Tray Slide Height (mm)
G800H**	Glide Base Unit 800mm Height	800	745
G850H	Glide Base Unit 850mm Height	850	795

**G800H Bespoke Option (With Extended lead Time)



Wet/Dry BM Hot Cupbd (Wall Sited)

Option Description.

Lower height option codes for junior/ primary use.

****800mm (h) base unit, c/w 100mm lockable castors.**
(Optional trayslide height becomes 745mm high)**

850mm (h) base unit, c/w 100mm lockable castors.
(Optional trayslide height becomes 795mm high).

Colour Finishes To Base Panels (Rear & Sides Only)

Option Description. 11 choices of leathergrain plastisol steel colours/ wood effect laminated steel for rear fascia panel/ external ends.

* Front facing sliding cupboard doors & valance panel remain as stainless steel finish *



Model GWSHBMW3
Option GGRENCHA3 Shown



Model GWSHBMW3
Option GBEECCHA3 Shown

Code	Description	Capacity	Code	Description	Capacity
Ocean Blue (BS 18C37)					
GBLUECHA2	Glide Blue Fascia - Ambient	2-1Gn	GSSTLCHA2	Glide S/Steel Fascia - Ambient	2-1Gn
GBLUECHA3	Glide Blue Fascia - Ambient	3-1Gn	GSSTLCHA3	Glide S/Steel Fascia - Ambient	3-1Gn
GBLUECHA4	Glide Blue Fascia - Ambient	4-1Gn	GSSTLCHA4	Glide S/Steel Fascia - Ambient	4-1Gn
GBLUECHA5	Glide Blue Fascia - Ambient	5-1Gn	GSSTLCHA5	Glide S/Steel Fascia - Ambient	5-1Gn
Goosewing Light Grey (BS 10A05)					
GGREYCHA2	Glide Grey Fascia - Ambient	2-1Gn	GGRENCHA2	Glide Green Fascia - Ambient	2-1Gn
GGREYCHA3	Glide Grey Fascia - Ambient	3-1Gn	GGRENCHA3	Glide Green Fascia - Ambient	3-1Gn
GGREYCHA4	Glide Grey Fascia - Ambient	4-1Gn	GGRENCHA4	Glide Green Fascia - Ambient	4-1Gn
GGREYCHA5	Glide Grey Fascia - Ambient	5-1Gn	GGRENCHA5	Glide Green Fascia - Ambient	5-1Gn
Poppy Red (BS 04E5B)					
GPREDCHA2	Glide Red Fascia - Ambient	2-1Gn	GCREMCHA2	Glide Cream Fascia - Ambient	2-1Gn
GPREDCHA3	Glide Red Fascia - Ambient	3-1Gn	GCREMCHA3	Glide Cream Fascia - Ambient	3-1Gn
GPREDCHA4	Glide Red Fascia - Ambient	4-1Gn	GCREMCHA4	Glide Cream Fascia - Ambient	4-1Gn
GPREDCHA5	Glide Red Fascia - Ambient	5-1Gn	GCREMCHA5	Glide Cream Fascia - Ambient	5-1Gn
White (BS 00E55)					
GWHITCHA2	Glide White Fascia - Ambient	2-1Gn	GBLAKCHA2	Glide Black Fascia - Ambient	2-1Gn
GWHITCHA3	Glide White Fascia - Ambient	3-1Gn	GBLAKCHA3	Glide Black Fascia - Ambient	3-1Gn
GWHITCHA4	Glide White Fascia - Ambient	4-1Gn	GBLAKCHA4	Glide Black Fascia - Ambient	4-1Gn
GWHITCHA5	Glide White Fascia - Ambient	5-1Gn	GBLAKCHA5	Glide Black Fascia - Ambient	5-1Gn
Wood Grain Effect Panels DL85 Walnut Finish					
GWALNCHA2	Glide Walnut Fascia - Ambient	2-1Gn	GBEECCHA2	Glide Beech Fascia - Ambient	2-1Gn
GWALNCHA3	Glide Walnut Fascia - Ambient	3-1Gn	GBEECCHA3	Glide Beech Fascia - Ambient	3-1Gn
GWALNCHA4	Glide Walnut Fascia - Ambient	4-1Gn	GBEECCHA4	Glide Beech Fascia - Ambient	4-1Gn
GWALNCHA5	Glide Walnut Fascia - Ambient	5-1Gn	GBEECCHA5	Glide Beech Fascia - Ambient	5-1Gn

Wood Grain Effect Panels DL84 Oak Finish

GOAKCHA2	Glide Oak Fascia - Ambient	2-1Gn
GOAKCHA3	Glide Oak Fascia - Ambient	3-1Gn
GOAKCHA4	Glide Oak Fascia - Ambient	4-1Gn
GOAKCHA5	Glide Oak Fascia - Ambient	5-1Gn

GANTRY OPTIONS



Glide Wall Sited Heated Gantry c/w Infra Red Lamps (Self Help)

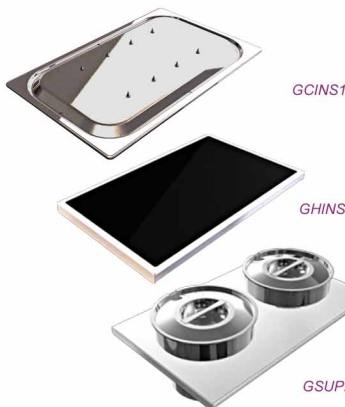
Code	Description	Capacity (Gn)	Dimensions (L x D x H mm)	Weight (kg)	Power (kW)
GWSHG2	Glide Wall Sited Hot Gantry S.Help	2-1Gn	825 x 700 x 397	7	0.4
GWSHG3	Glide Wall Sited Hot Gantry S.Help	3-1Gn	1175 x 700 x 397	9	0.6
GWSHG4	Glide Wall Sited Hot Gantry S.Help	4-1Gn	1525 x 700 x 397	12	0.8
GWSHG5	Glide Wall Sited Hot Gantry S.Help	5-1Gn	1875 x 700 x 397	16	1.0

Wet/Dry BM Hot Cupbd (Wall Sited)

Option Description.

Wall sited hot gantry, s/steel, curved glass sneeze screen, self help use only, + 397(h) above worktop, end glass, fitted with 200w quartz infra-red jacketed safety lamps..

INSERTS / ADAPTORS



Glide Spiked Carving Insert (Bain Marie) - 1/1 Gn

Use With Heated Gantry Option

Code	Description	Capacity (Gn)	Dimensions (W x D x H mm)	Weight (kg)
GCINS1	Glide Carving Insert (B.Marie)	1-1 Gn	325 x 530 x 24	1

Glide Hotplate Adaptor/ Glide Soup Insert - 1-1 Gn

Use With Heated Gantry Option

Code	Description	Capacity (Gn)	Dimensions (W x D x H mm)	Weight (kg)
GHINS1	Glide Hot Glass Insert (B.Marie)	1-1 Gn	324 x 520 x 27	1
GSUPI4	Glide 2 x 4.5L Soup Insert (B.Marie)	1-1 Gn	325 x 520 x 64	2

Wet/Dry BM Hot Cupbd & Hot Gantry (Wall Sited)

Option Description.

Carving Insert, 1/1 GN, 325mm x 530mm x 24mm (h), removable 8 spiked raised s/steel carving deck, removable juice collection tray, for dry heat & wet bain marie.

Wet/Dry BM Hot Cupbd & Hot Gantry (Wall Sited)

Option Description (Hot Glass Insert)

1-1 Gn hot glass insert, c/w s/steel surround collar, short term holding only, ideal for sauce dishes.

Option Description (Soup Insert).

1-1 Gn soup container insert c/w s/steel support collar, includes 2 no. 4.5 litre soup or gravy containers & lids.





Wall Sited BM Hot Cupboard (Wet & Dry Heat)



POPULAR MODEL CODES

Glide Wall Sited Wet/Dry BM Hot Cupbd. (& Tray Slide)

Model Code	Option Description Code	Total Power (kW)
GWSHBMW2	GSTS2 WS WD BM HCupbd. & T/Slide 2-1	2.43
GWSHBMW3	GSTS3 WS WD BM HCupbd. & T/Slide 3-1	2.93
GWSHBMW4	GSTS4 WS WD BM HCupbd. & T/Slide 4-1	2.93
GWSHBMW5	GSTS5 WS WD BM HCupbd. & T/Slide 5-1	2.93

*Requires 13A 230V Elec. Socket

Glide Wall Sited Wet/Dry BM Hot Cupboard (& Heated Gantry & Tray Slide)

Model Code	Option Code	Option Description Code	Total Power (kW)
GWSHBMW2	GWSHG2	GSTS2 WS WD/BM HC & Ht Gntry/ T.Slide 2-1	2.83
GWSHBMW3	GWSHG3	GSTS3 WS Dry BM HC. & Ht Gntry/ T.Slide 3-1	3.53*
GWSHBMW4	GWSHG4	GSTS4 WS Dry BM HC & Ht Gntry/ T.Slide 4-1	3.73**
GWSHBMW5	GWSHG5	GSTS5 WS Dry BM HC & Ht Gntry/ T.Slide 5-1	3.93**

13A 230V Elec. Socket *16A Commando Skt **32A Commando Skt

Glide Wall Sited Wet/Dry BM Hot Cupbd. (& Tray Rail)

Model Code	Option Description Code	Total Power (kW)
GWSHBMW2	GTTS2 WS WD/BM HCupbd. & T/Rail 2-1	2.43
GWSHBMW3	GTTS3 WS WD/BM HCupbd. & T/Rail 3-1	2.93
GWSHBMW4	GTTS4 WS WD/BM HCupbd. & T/Rail 4-1	2.93
GWSHBMW5	GTTS5 WS WD/BM HCupbd. & T/Rail 5-1	2.93

*Requires 13A 230V Elec. Socket

Glide Wall Sited Wet/Dry BM Hot Cupboard (& Colour Finish)

Model Code	Option Code	Description Code	Total Power (kW)
GWSHBMW2	GGRENCHA2	WS WD/BM HCupbd.+(Green) 2-1	2.43
GWSHBMW3	GGRENCHA3	WS WD/BM HCupbd.+(Green) 3-1	2.93
GWSHBMW4	GGRENCHA4	WS WD/BM HCupbd.+(Green) 4-1	2.93
GWSHBMW5	GGRENCHA5	WS WD/BM HCupbd.+(Green) 5-1	2.93

*Requires 13A 230V Elec. Socket

Glide Wall Sited Wet/Dry BM Hot Cupbd. (& Heated Gantry)

Model Code	Option Code	Description Code	Total Power (kW)
GWSHBMW2	GWSHG2	WS WD/BM HC & Hot Gntry 2-1	2.83
GWSHBMW3	GWSHG3	WS WD/BM HC & Hot Gntry 3-1	3.53*
GWSHBMW4	GWSHG4	WS WD/BM HC & Hot Gntry 4-1	3.73**
GWSHBMW5	GWSHG5	WS WD/BM HC & Hot Gntry 5-1	3.93**

13A 230V Elec. Socket *16A Commando Skt **32A Commando Skt

Glide Wall Sited Wet/Dry BM Hot Cupboard (& Heated Gantry & Tray Rail)

Model Code	Option Code	Option Description Code	Total Power (kW)
GWSHBMW2	GWSHG2	GTTS2 WS WD/BM HC & Hot Gntry/ T.Rail 2-1	2.83
GWSHBMW3	GWSHG3	GTTS3 WS WD/BM HC. & Hot Gntry/ T.Rail 3-1	3.53*
GWSHBMW4	GWSHG4	GTTS4 WS WD/BM HC & Hot Gntry/ T.Rail 4-1	3.73**
GWSHBMW5	GWSHG5	GTTS5 WS WD/BM HC & Hot Gntry/ T.Rail 5-1	3.93**

13A 230V Elec. Socket *16A Commando Skt **32A Commando Skt

Glide Wall Sited Wet/Dry BM Hot Cupbd. (& Heated Gantry & Carvery insert)

Description	Total Power (kW)
Wall Sited Wet/Dry BM HC/ Hot Gantry/ Carving Insert 2-1	2.83
Wall Sited Wet/Dry BM HC/ Hot Gantry/ Carving Insert 3-1	3.53*
Wall Sited Wet/Dry BM HC/ Hot Gantry/ Carving Insert 4-1	3.73**
Wall Sited Wet/Dry BM HC/ Hot Gantry/ Carving Insert 5-1	3.93**

Glide Wall Sited Wet/Dry BM Hot Cupboard (& Heated Gantry & Tray Rail & Colour Finish)

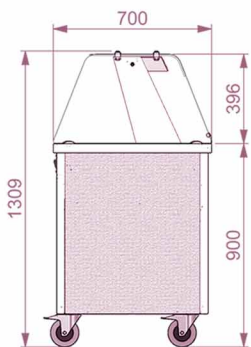
Description	Total Power (kW)
Glide Wall Sited Wet/Dry BM HC/ Hot Gantry/ Tray Rail (Red) 2-1	2.83
Glide Wall Sited Wet/Dry BM HC/ Hot Gantry/ Tray Rail (Red) 3-1	3.53*
Glide Wall Sited Wet/Dry BM HC/ Hot Gantry/ Tray Rail (Red) 4-1	3.73**
Glide Wall Sited Wet/Dry BM HC/ Hot Gantry/ Tray Rail (Red) 5-1	3.93**

Model Code	Hot Gantry Option Code	Carv. Insert Option Code	Gn Size
GWSHBMW2	GWSHG2	GCINS1 (x1)	2-1 Gn
GWSHBMW3	GWSHG3	GCINS1 (x1)	3-1 Gn
GWSHBMW4	GWSHG4	GCINS1 (x1)	4-1 Gn
GWSHBMW5	GWSHG5	GCINS1 (x1)	5-1 Gn

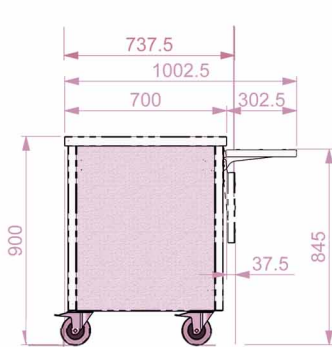
13A 230V Elec. Socket *16A Commando Skt **32A Commando Skt

Model Code	Hot Gantry Option Code	Tray Rail Option	Colour (Red) Option Code	Gn Size
GWSHBMW2	GWSHG2	GTTS2	GPREDCHA2	2-1 Gn
GWSHBMW3	GWSHG3	GTTS3	GPREDCHA3	3-1 Gn
GWSHBMW4	GWSHG4	GTTS4	GPREDCHA4	4-1 Gn
GWSHBMW5	GWSHG5	GTTS5	GPREDCHA5	5-1 Gn

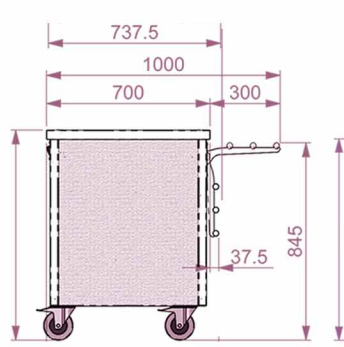
13A 230V Elec. Socket *16A Commando Skt **32A Commando Skt



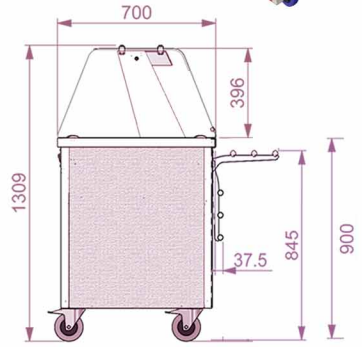
Glide Wall Sited Wet/Dry BM Hot Cupbd. (& Hot Gantry)
Self Help Position



Glide Wall Sited Wet/Dry BM Hot Cupbd. (& Tray Slide)



Glide Wall Sited Wet/Dry BM Hot Cupbd. (& Tray Rail)



Glide Wall Sited Wet/Dry BM Hot Cupbd. (& Hot Gantry/Tray Rail)
Self Help Position



Glide Bain Marie Container Supports Allow Many Gn Container Sizes To Be Used.
(3-1 Gn Model Shown)

