



Wall Sited Ceran Top Hot Cupboard



Wall Sited Ceran Top Hot Cupboard (Rear Side)

Wall Sited Ceran Top Hot Cupboard (Customer Side)

ABOUT

The wall sited ceran top hot cupboard forms part of the Glide range of mobile dining carts - a choice of cold, hot & ambient commercial catering carts that combine to form a food severy counter solution as unique as your requirements!

The wall sited ceran top hot cupboard (no gantry) fits neatly against walls, in an alcove, recess or back to back when used as island units. The ceran top hot cupboard (no gantry) features a heated ceramic glass hotplate section formed in the worktop, that accommodates 1-1 size flat btm. Gn containers or dishes with lids (not included). The model is made in 4 sizes to suit severy layout.

The hot cupboard below uses fan blown heating to evenly distribute heat around the cupboard. Behind lift-off front facing sliding s/steel cupboard doors, are two tiers of removable, height adjustable grid shelves for plate/ container storage. The wire shelves help distribute heat around the cupboard and support up to ten 1-1 Gn size (150mm deep) Gn containers, depending on the cupboard size. The rear & side base panels are finished in leathergrain plastisol steel, colour merlin grey (BS 18B25). Each model comes with lockable castors. The hot cupboard has thermostatic control. The ceran top & mains power are controlled by neon on/off switches. Gantry options are also controlled by a neon on/off switch.

ACCESSORIES & FINISHES

Folding Steel Solid or Tubular Tray Slides.

Drop down tray rails or slides + 40mm (d) height = (h) - 55mm.

Selection Of Colour Finishes To Bases.

11 alternative choices of durable steel, colour & wood effect for the external rear/ side base panels.

Front sliding cupboard doors are retained in a s/steel finish

Optional Sit-On Spiked Carving Adaptor.

An optional sit-on spiked carvery insert & juice collection tray with supporting frame are available for use on the worktop with the hot gantry option.



HEIGHT OPTIONS

Low Height Model (Glide Junior).

850mm or 800mm high options for junior/ primary use.



Download All Technical Drawings From www.cedfabsltd.co.uk

GANTRY OPTIONS

Heated Gantry.

A heated self help gantry option provides top heat to the surface of food being held on the ceran top below.

FEATURES

Model Type.

The Glide wall sited ceran top hot cupboard is a mobile hotplate & heated storage station with full rear/ side fascia panels, a s/steel & ceran worktop with fan assisted hot cupboard below. The cupbd. has two tiers of wire rack shelving. The front facing rear s/steel sliding doors are removable. Each shelf is adjustable in height & removable for cleaning.

Model Dimensions.

The ceran top hot cupboard is available as 2-1Gn (825mm), 3-1Gn (1175mm), 4-1Gn (1525mm) & 5-1 Gn (1875mm) long x 700mm (D), 900mm (H) & has locking castors.

Model Finishes.

Rear and outer end panels in plastisol steel, colour merlin grey. The worktop housing ceran top glass is made from 304 gd s/steel & the rear facing doors & surfaces are 430gd steel.

Low Maintenance.

Easy, cleanable surfaces and a durable design ensure low maintenance for users.

Finishes & Options.

The cupboard can be customised with many accessories such as tray slides, tray rails, coloured rear/ side panel finishes, heated gantry, low height versions for junior/ primary age use & a sit - on spiked carving adaptor.

Power Supply.

The wall sited cupboard is supplied with a 3m lead & 13 amp UK plug (13A 230v 50Hz). (5/1Gn model with hot gantry = 16A commando plug).

Equipment Conformity. CE & UKCA Certified equipment.

Temperature Controls.

The hot cupboard has thermostatic control, the ceran top & mains power are controlled by neon on/off switches. The hot gantry options are also controlled by neon on/off switches.

(Wall Sited Ceran Top Hot Cupboard)



(Wall Sited Ceran Top Hot Cupboard & Gantry)



Rear Side

Customer Side

Glide Wall Sited Ceran Top Hot Cupboard (No Gantry)

Total Power (kW)

Code	Description	Capacity (Gn)	Dimensions (L x D x H mm)	Depth With Tray Slide Up/ Down	Weight (kg)	No Gantry	+ Hot Gantry
GWSHP2	Glide WS Ceran Top Hot.Cupd No Gantry 2-1	825	700 x 900	1000/ 740mm	49	1.29	1.69
GWSHP3	Glide WS Ceran Top Hot.Cupd No Gantry 3-1	1175	700 x 900	1000/ 740mm	69	1.47	2.07
GWSHP4	Glide WS Ceran Top Hot.Cupd No Gantry 4-1	1525	700 x 900	1000/ 740mm	92	1.65	2.45
GWSHP5	Glide WS Ceran Top Hot.Cupd No Gantry 5-1	1875	700 x 900	1000/ 740mm	114	2.33	3.33 16A

Model Description. Glide mobile dining cart, (wall sited) ceran glass hotplate top (no gantry), electric, 700(d) x 900(h), accommodates 1-1 GN flat btm. dishes/lids (not included), fan assist. hotcupboard below with front facing (customer side) removable s/steel sliding doors & 2 tiers of adjustable/ removable internal grid shelves for plate/ Gn container holding, rear/side base panels in leathergrain plastisol steel, colour merlin grey (BS 18B25), lockable castors, control panel to customer side, 3m lead. H/cupb. has thermostatic control, ceran top & mains power controlled by neon on/off switches. Gantry options also controlled by neon on/off switch. Electrical supply 230V 50Hz 13A UK plug top. Gantry/ Tray Rails Optional) (5/1Gn model with hot gantry = 16A commando plug).

For best performance (no gantry model) always use lids on Gn containers when not serving, stir food in containers regularly

Glide S/Steel Folding Tubular Tray Rail

Code	Description	Capacity (Gn)	Dimensions (L x D x H mm)	Weight (kg)
GTTS2	Glide S/Steel Drop Down Tray Rail	2-1 Gn	825 x 298 x (base-55)	2
GTTS3	Glide S/Steel Drop Down Tray Rail	3-1 Gn	1175 x 298 x (base-55)	3
GTTS4	Glide S/Steel Drop Down Tray Rail	4-1 Gn	1525 x 298 x (base-55)	5
GTTS5	Glide S/Steel Drop Down Tray Rail	5-1 Gn	1875 x 298 x (base-55)	7

Ceran Top Hot Cupbd. (No Gantry)

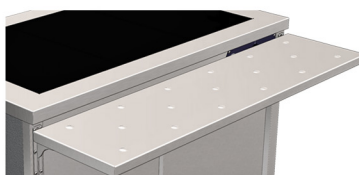
Option Description. S/steel tubular tray rail, 304 gd. Ø25 tube, drop down bracket type, up position depth + 298 mm to base unit, down position depth + 40mm to base unit. Trayslide height = base unit (h) - 55mm.

Glide S/Steel Folding Solid Tray Slide

Code	Description	Capacity (Gn)	Dimensions (L x D x H mm)	Weight (kg)
GSTS2	Glide S/Steel Drop Down Solid Tray Slide	2-1Gn	825 x 302 x (base-55)	3
GSTS3	Glide S/Steel Drop Down Solid Tray Slide	3-1Gn	1175 x 302 x (base-55)	5
GSTS4	Glide S/Steel Drop Down Solid Tray Slide	4-1Gn	1525 x 302 x (base-55)	7
GSTS5	Glide S/Steel Drop Down Solid Tray Slide	5-1Gn	1875 x 302 x (base-55)	9

Ceran Top Hot Cupbd. (No Gantry)

Option Description. S/steel solid tray slide, drop down bracket type, up position depth + 302 mm to base unit, down position depth + 40mm to base unit. Trayslide height = base unit (h) - 55mm.





Wall Sited Ceran Top Hot Cupboard

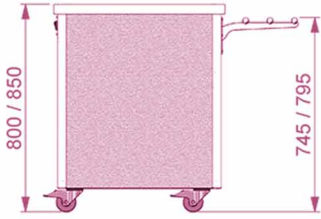
FINISHES, ADAPTORS,
HEIGHT & GANTRY OPTIONS



Low Height Model (Glide Junior) - 800/ 850mm (h)

Code	Description	Base Height (mm)	Optional Tray Slide Height (mm)
G800H**	Glide Base Unit 800mm Height	800	745
G850H	Glide Base Unit 850mm Height	850	795

**G800H Bespoke Option (With Extended lead Time)



Ceran Top Hot Cupbd. (Wall Sited)

Option Description.

Lower height option codes for junior/ primary use.

****800mm (h) base unit, c/w 100mm lockable castors.**
(Optional trayslide height becomes 745mm high)**

850mm (h) base unit, c/w 100mm lockable castors.
(Optional trayslide height becomes 795mm high).

Colour Finishes To Base Panels (Rear & Sides Only)

Option Description. 11 choices of leathergrain plastisol steel colours/ wood effect laminated steel for rear fascia panel/ external ends.

* Front facing sliding cupboard doors & valance panel remain as stainless steel finish *

Code	Description	Capacity	Code	Description	Capacity
Ocean Blue (BS 18C37)					
GBLUECHA2	Glide Blue Fascia - Ambient	2-1Gn		Satin S/Steel (430 gd.)	2-1Gn
GBLUECHA3	Glide Blue Fascia - Ambient	3-1Gn			
GBLUECHA4	Glide Blue Fascia - Ambient	4-1Gn			
GBLUECHA5	Glide Blue Fascia - Ambient	5-1Gn			
GBLUECHA5	Glide Blue Fascia - Ambient	5-1Gn			
Goosewing Light Grey (BS 10A05)					
GGREYCHA2	Glide Grey Fascia - Ambient	2-1Gn		Forest Green/Heritage (RAL 6002)	2-1Gn
GGREYCHA3	Glide Grey Fascia - Ambient	3-1Gn			
GGREYCHA4	Glide Grey Fascia - Ambient	4-1Gn			
GGREYCHA5	Glide Grey Fascia - Ambient	5-1Gn			
GGREYCHA5	Glide Grey Fascia - Ambient	5-1Gn			
Poppy Red (BS 04E5B)					
GPREDCHA2	Glide Red Fascia - Ambient	2-1Gn		Buttermilk Cream/ Honesty (BS 10C31)	2-1Gn
GPREDCHA3	Glide Red Fascia - Ambient	3-1Gn			
GPREDCHA4	Glide Red Fascia - Ambient	4-1Gn			
GPREDCHA5	Glide Red Fascia - Ambient	5-1Gn			
GPREDCHA5	Glide Red Fascia - Ambient	5-1Gn			
White (BS 00E55)					
GWHITCHA2	Glide White Fascia - Ambient	2-1Gn		Black (BS 00E53)	2-1Gn
GWHITCHA3	Glide White Fascia - Ambient	3-1Gn			
GWHITCHA4	Glide White Fascia - Ambient	4-1Gn			
GWHITCHA5	Glide White Fascia - Ambient	5-1Gn			
GWHITCHA5	Glide White Fascia - Ambient	5-1Gn			
Wood Grain Effect Panels DL85 Walnut Finish					
GWALNCHA2	Glide Walnut Fascia - Ambient	2-1Gn		Wood Grain Effect Panels DL76 Beech Finish	2-1Gn
GWALNCHA3	Glide Walnut Fascia - Ambient	3-1Gn			
GWALNCHA4	Glide Walnut Fascia - Ambient	4-1Gn			
GWALNCHA5	Glide Walnut Fascia - Ambient	5-1Gn			
GWALNCHA5	Glide Walnut Fascia - Ambient	5-1Gn			
Wood Grain Effect Panels DL84 Oak Finish					
GOAKCHA2	Glide Oak Fascia - Ambient	2-1Gn			2-1Gn
GOAKCHA3	Glide Oak Fascia - Ambient	3-1Gn			
GOAKCHA4	Glide Oak Fascia - Ambient	4-1Gn			
GOAKCHA5	Glide Oak Fascia - Ambient	5-1Gn			
GOAKCHA5	Glide Oak Fascia - Ambient	5-1Gn			



Model GWSHP3
Option GGRENCHA3 Shown



Model GWSHP3
Option GBEECCHA3 Shown

GANTRY OPTIONS



Glide Wall Sited Heated Gantry c/w Infra Red Lamps (Self Help)

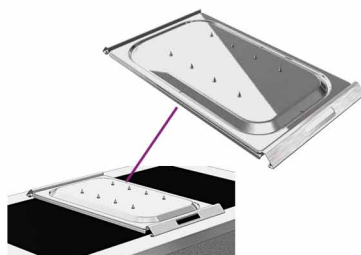
Code	Description	Capacity (Gn)	Dimensions (L x D x H mm)	Weight (kg)	Power (kW)
GWSHG2	Glide Wall Sited Hot Gantry S.Help	2-1Gn	825 x 700 x 397	7	0.4
GWSHG3	Glide Wall Sited Hot Gantry S.Help	3-1Gn	1175 x 700 x 397	9	0.6
GWSHG4	Glide Wall Sited Hot Gantry S.Help	4-1Gn	1525 x 700 x 397	12	0.8
GWSHG5	Glide Wall Sited Hot Gantry S.Help	5-1Gn	1875 x 700 x 397	16	1.0

Ceran Top Hot Cupbd. (Wall Sited)

Option Description.

Wall sited hot gantry, s/steel, curved glass sneeze screen, self help use only, + 397(h) above worktop, end glass, fitted with 200w quartz infra-red jacketed safety lamps..

CARVING ADAPTOR



Glide Sit-On Spiked Carving Adaptor (Hotplate) - 1/1 Gn

Use With Heated Gantry Options

Code	Description	Capacity (Gn)	Dimensions (W x D x H mm)	Weight (kg)	Spikes (Qty).
GCP1AL	Glide Sit On Carving Adaptor 1-1 Gn	1	325 x 599 x 31	1	8

Wall Sited Ceran Top H.Cupbd. (& Hot Gantry)

Option Description.

Sit-on spiked carving lid & 20mm(d)1-1 Gn juice collection tray under. Dims. 599mm (L) x 325mm (w) x 31mm(h). S/steel surround frame with rubber feet. Unit sits on front/ back edges of wktp frame. A shallow amount of water can be added into juice collection tray under, to assist in moisture retention/ enable easier cleaning after serving. (For use with hot gantry option only).





Wall Sited Ceran Top Hot Cupboard



POPULAR MODEL/ OPTION CODES

Glide Wall Sited Ceran Top Hot Cupbd. No Gantry (& Tray Slide)

Model Code	Option Code	Description	Total Power (kW)
GWSHP2	GSTS2	WS HP/ HCupbd. & T/Slide 2-1	2.19
GWSHP3	GSTS3	WS HP/ HCupbd. & T/Slide 3-1	2.37
GWSHP4	GSTS4	WS HP/ HCupbd. & T/Slide 4-1	2.55
GWSHP5	GSTS5	WS HP/ HCupbd. & T/Slide 5-1	2.73

*Requires 13A 230V Elec. Socket

Glide Wall Sited Ceran Top Hot Cupbd. (& Heated Gantry & Tray Slide)

Model Code	Option Code	Description	Total Power (kW)
GWSHP2	GWSHG2	GSTS2 WS HP/ HC & Hot Gntry/ T.Slide 2-1	2.56
GWSHP3	GWSHG3	GSTS3 WS HP/ HC. & Hot Gntry/ T.Slide 3-1	2.97
GWSHP4	GWSHG4	GSTS4 WS HP/ HC & Hot Gntry/ T.Slide 4-1	2.95
GWSHP5	GWSHG5	GSTS5 WS HP/ HC & Hot Gntry/ T.Slide 5-1	2.83

*Requires 13A 230V Elec. Socket (Self Help Heated Gantry)

Glide Wall Sited Ceran Top Hot Cupbd. No Gantry (& Tray Rail)

Model Code	Option Code	Description	Total Power (kW)
GWSHP2	GTTS2	WS HP/ HCupbd. & T/Rail 2-1	2.19
GWSHP3	GTTS3	WS HP/ HCupbd. & T/Rail 3-1	2.37
GWSHP4	GTTS4	WS HP/ HCupbd. & T/Rail 4-1	2.55
GWSHP5	GTTS5	WS HP/ HCupbd. & T/Rail 5-1	2.73

*Requires 13A 230V Elec. Socket

Glide Wall Sited Ceran Top Hot Cupbd. No Gantry (& Colour Finish)

Model Code	Option Code	Description	Total Power (kW)
GWSHP2	GGRENCHA2	WS HP/ HCupbd.+(Green) 2-1	2.19
GWSHP3	GGRENCHA3	WS HP/ HCupbd.+(Green) 3-1	2.37
GWSHP4	GGRENCHA4	WS HP/ HCupbd.+(Green) 4-1	2.55
GWSHP5	GGRENCHA5	WS HP/ HCupbd.+(Green) 5-1	2.73

*Requires 13A 230V Elec. Socket

Glide Wall Sited Ceran Top Hot Cupbd. (& Heated Gantry)

Model Code	Option Code	Description	Total Power (kW)
GWSHP2	GWSHG2	WS HP/ HC & Hot Gntry 2-1	2.56
GWSHP3	GWSHG3	WS HP/ HC & Hot Gntry 3-1	2.97
GWSHP4	GWSHG4	WS HP/ HC & Hot Gntry 4-1	2.95
GWSHP5	GWSHG5	WS HP/ HC & Hot Gntry 5-1	2.83

*Requires 13A 230V Elec. Socket (S.Help/ Ass.Service Gantry)

Glide Wall Sited Ceran Top Hot Cupbd. (& Heated Gantry & Tray Rail)

Model Code	Option Code	Description	Total Power (kW)
GWSHP2	GWSHG2	GTTS2 WS HP/ HC & Hot Gntry/ T.Rail 2-1	2.56
GWSHP3	GWSHG3	GTTS3 WS HP/ HC. & Hot Gntry/ T.Rail 3-1	2.97
GWSHP4	GWSHG4	GTTS4 WS HP/ HC & Hot Gntry/ T.Rail 4-1	2.95
GWSHP5	GWSHG5	GTTS5 WS HP/ HC & Hot Gntry/ T.Rail 5-1	2.83

*Requires 13A 230V Elec. Socket (Self Help Heated Gantry)

Glide Wall Sited Ceran Top Hot Cupbd. (& Heated Gantry & Carvery insert)

Description	Total Power (kW)
Wall Sited Ceran Top HC/ Hot Gantry/ Carving Insert 2-1	2.56
Wall Sited Ceran Top HC/ Hot Gantry/ Carving Insert 3-1	2.97
Wall Sited Ceran Top HC/ Hot Gantry/ Carving Insert 4-1	2.95
Wall Sited Ceran Top HC/ Hot Gantry/ Carving Insert 5-1	2.83

Model Code	Hot Gantry Option Code	Carv.Insert Option Code	Gn Size
GWSHP2	GWSHG2	GCP1AL (x1)	2-1 Gn
GWSHP3	GWSHG3	GCP1AL (x1)	3-1 Gn
GWSHP4	GWSHG4	GCP1AL (x1)	4-1 Gn
GWSHP5	GWSHG5	GCP1AL (x1)	5-1 Gn

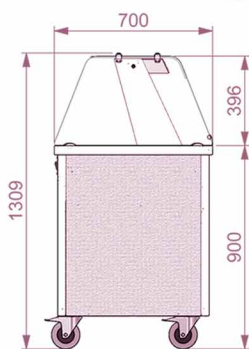
*Requires 13A 230V Elec. Socket (Self Help Gantry)

Glide Wall Sited Ceran Top Hot Cupbd. (& Heated Gantry & Tray Rail & Colour Finish)

Description	Total Power (kW)
Glide Wall Sited Ceran Top HC/ Hot Gantry/ Tray Rail (Red) 2-1	2.56
Glide Wall Sited Ceran Top HC/ Hot Gantry/ Tray Rail (Red) 3-1	2.97
Glide Wall Sited Ceran Top HC/ Hot Gantry/ Tray Rail (Red) 4-1	2.95
Glide Wall Sited Ceran Top HC/ Hot Gantry/ Tray Rail (Red) 5-1	2.83

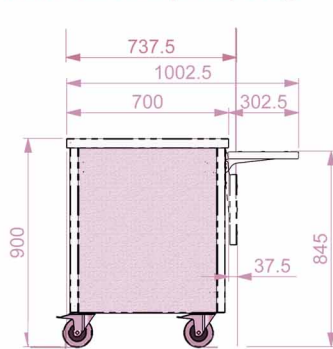
Model Code	Hot Gantry Option Code	Tray Rail Option	Colour (Red) Option Code	Gn Size
GWSHP2	GWSHG2	GTTS2	GPREDCHA2	2-1 Gn
GWSHP3	GWSHG3	GTTS3	GPREDCHA3	3-1 Gn
GWSHP4	GWSHG4	GTTS4	GPREDCHA4	4-1 Gn
GWSHP5	GWSHG5	GTTS5	GPREDCHA5	5-1 Gn

*Requires 13A 230V Elec. Socket (Self Help Heated Gantry)

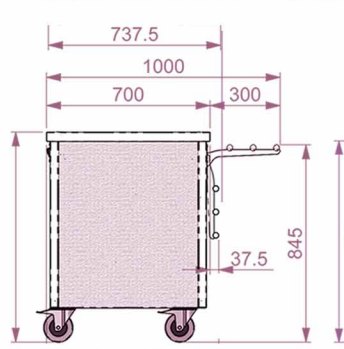


Wall Sited Ceran Top Hot Cupbd. (& Hot Gantry)

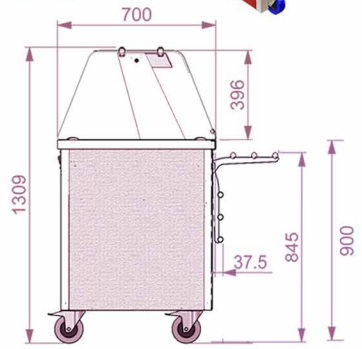
Self Help Position



Wall Sited Ceran Top Hot Cupbd. (& Tray Slide)



Wall Sited Ceran Top Hot Cupbd. (& Tray Rail)



Wall Sited Ceran Top Hot Cupbd. (& Hot Gantry/Tray Rail)

Self Help Position

*Sit-On Carvery Adaptor GCP1AL Shown In Position



*Gn Containers Not Included

