



Wall Sited Eutectic Plate Cold Well



Wall Sited Eutectic Cold Well - No Gantry (Rear Side)

Wall Sited Eutectic Cold Well - No Gantry (Customer Side)

FEATURES

Wall Sited Model Sizes.

Glide wall sited eutectic plate cold well (no gantry) uses pre-frozen s/steel cooling plates in a mobile contact cooled well base unit. The model operates by the transfer of cold into product in contact with the cold surface. The model is available in 2-1Gn (825mm), 3-1Gn (1175mm), 4-1Gn (1525mm) & 5-1Gn (1875mm) lengths.

Model Dimensions.

Model depth 700mm, model height 900mm, fitted with lockable heavy duty castors.

Eutectic Cooling Plate System.

A series of 1/1 Gn size removable s/steel eutectic plates (supplied) are pre-frozen overnight in a freezer. When cold they are placed in the well area. Contact cooling occurs by the transfer of cold energy into the product, which is in contact with the steel surface of the eutectic plate.

Front Facing Cupboard Storage Area (Wall Sited Models).

Features front facing cupboard with removable sliding doors in Merlin Grey finish. Inside are 2 tiers of internal grid shelves for plate/ Gn pan storage. The cupboards accept plates, dishes or up to 10x 1-1 Gn 150mm deep Gn pans (not included) depending on model size.

Cold Serving Period.

The display keeps pre-chilled product cold for a typical 2-3 hour lunch period. This period can be extended by replacing eutectic plates with others (which have also been pre-frozen in advance).

Food Types

Ideal for storage of fruit, bottled drinks or liquid desserts such as yoghurt pots etc.

Finishes.

Base panel finish plastisol steel, colour merlin grey (BS 18B25) e.g., rear, sides & sliding front doors. Worktop & removable eutectic plates in durable food safe s/steel.

Well Storage Depth.

Well depth to suit 100mm deep 1-1Gn pans (not included) when positioned on top of eutectic plates. Total well depth 145mm with eutectic plates removed.

Low Maintenance

Easy, cleanable surfaces and a durable design ensure low maintenance for users.

Equipment Conformity.

CE & UKCA Certified equipment.

ABOUT

The wall sited eutectic plate cold well is part of the Glide range of mobile dining carts - a choice of cold, hot & ambient commercial catering carts that combine to form a food service counter solution as unique as your requirements!

The eutectic plate cold well features a series of removable, pre-frozen s/steel plates which sit within the base of the display area. The plates contain a cooling gel and provide a **contact cooled surface** for storage of fruit, bottled drinks or liquid desserts such as yoghurt pots etc.

The display keeps pre-chilled product cold for a typical 2-3 hour lunch period & can be positioned back to back, against a wall or in a recessed area. It is made in 4 different sizes to suit the servery layout.

The display features a s/steel worktop & well with front facing cupboard underneath. Behind the removable sliding merlin grey plastisol steel front cupboard doors, are two tiers of internal grid shelves for plate/ container storage.

The cupboards accept plates, dishes or up to 10x 1-1 Gn size (150mm deep) Gn containers (not included), depending on the cupboard size. The rear & side base panels are finished in leathergrain plastisol steel, colour merlin grey (BS 18B25).

Each model comes with lockable castors & when used with the optional ambient gantry, the well is supplied with a 3m lead & 13 amp UK plug (13A 230v 50Hz).

GANTRY OPTION

Wall Sited Eutectic Cold Well - Ambient LED Gantry.

A self help gantry c/w LED light, curved glass sneeze screen & side glass.

HEIGHT OPTIONS & FINISHES

Low Height Model (Glide Junior).

850mm or 800mm high option codes for junior/ primary use.

Selection Of Colour Finishes To Base Panels.

11 alternative choices of durable colour & wood effect rear/ side base panels & front facing sliding cupboard doors.



ACCESSORIES

Additional S/Steel Eutectic Plate.

Extend your serving period by replacing eutectic plates with other pre-frozen ones.

TRAY SLIDE/ RAIL OPTIONS

Folding Steel Solid or Tubular Tray Slides:

Tray slides + 40mm (d) height = (h) - 50mm.

Wall Sited Eutectic Plate Cold Well - No Gantry



Code	Description	Capacity (Gn)	Dimensions (L x D x H mm)	Depth With Tray Slide Up/ Down	Weight (kg)	Power Rating c/w Light Gantry (kW)
GWSEW2	Glide Wall Sited Eutectic Cold Well No Gantry	2-1Gn	825 x 700 x 900	1000/ 740mm	53	0.008
GWSEW3	Glide Wall Sited Eutectic Cold Well No Gantry	3-1Gn	1175 x 700 x 900	1000/ 740mm	79	0.014
GWSEW4	Glide Wall Sited Eutectic Cold Well No Gantry	4-1Gn	1525 x 700 x 900	1000/ 740mm	98	0.016
GWSEW5	Glide Wall Sited Eutectic Cold Well No Gantry	5-1Gn	1875 x 700 x 900	1000/ 740mm	111	0.022

Model Description.

Glide mobile dining cart, wall sited eutectic plate contact cooling type salad well (no gantry), 700(d) x 900(h), recessed insulated s/steel well top accommodates 1-1 GN s/steel eutectic plates (included), front facing ambient cupboard under with removable sliding doors in leathergrain plastisol steel, colour merlin grey (BS 18B25) & internal grid shelves for plate/ Gn container holding, rear/side base panels in leathergrain plastisol steel, colour merlin grey, lockable castors. Eutectic plates charged in deep freeze overnight prior to use. Cold transfer is by product contact = 2-3 hour cooling. (Gantry/ Tray Rails Optional))

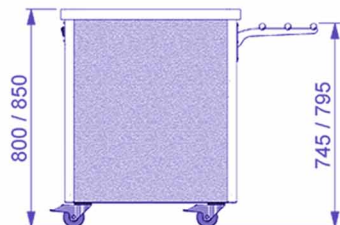
HEIGHT OPTIONS

Low Height Model (Glide Junior) - 800/ 850mm (h)

(For Wall Sited Eutec. Well - No Gantry)

Code	Description	Base Height (mm)	Optional Tray Slide Height (mm)	Option Description.
G800H**	Glide Base Unit 800mm Height	800	745	Lower height option codes for junior/ primary use. **800mm (h) base unit, c/w 100mm lockable castors. (Optional trayslide height becomes 745mm high)**
G850H	Glide Base Unit 850mm Height	850	795	

**G800H Bespoke Option (With Extended lead Time)





Wall Sited Eutectic Plate Cold Well

OPTIONS, ACCESSORIES & FINISHES



Glide Wall Sited Ambient Gantry c/w LED Lighting - S.Help

(For Wall Sited Eutec. Well - N/Gantry)

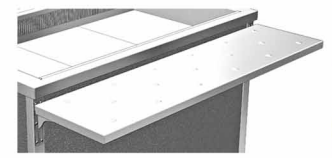
Code	Description	Capacity (Gn)	Dimensions (L x D x H mm)	Weight (kg)	Power (kW)	Option Description.
GWSAG2	Glide Wall Sited Amb Gantry S. Help	2-1Gn	825 x 700 x 397	7	0.008	Wall sited ambient gantry, s/steel,c/w LED lighting, opaque cover, colour 4000k, single curved glass sneeze screen, self help use, + 397(h) above worktop, end glass.
GWSAG3	Glide Wall Sited Amb Gantry S. Help	3-1Gn	1175 x 700 x 397	9	0.014	
GWSAG4	Glide Wall Sited Amb Gantry S. Help	4-1Gn	1525 x 700 x 397	12	0.016	
GWSAG5	Glide Wall Sited Amb Gantry S. Help	5-1Gn	1875 x 700 x 397	16	0.022	



Glide S/Steel Folding Tubular Tray Rail

(For Wall Sited Eutec. Well - N/Gantry)

Code	Description	Capacity (Gn)	Dimensions (L x D x H mm)	Weight (kg)	Option Description.
GTTS2	Glide S/Steel Drop Down Tray Rail	2-1Gn	825 x 298 x (base-55)	2	S/steel tubular tray rail, 304 gd. Ø25 tube, drop down bracket type, up position depth + 298 mm to base unit, down position depth + 40mm to base unit. Trayslide height = base unit (h) - 55mm.
GTTS3	Glide S/Steel Drop Down Tray Rail	3-1Gn	1175 x 298 x (base-55)	3	
GTTS4	Glide S/Steel Drop Down Tray Rail	4-1Gn	1525 x 298 x (base-55)	5	
GTTS5	Glide S/Steel Drop Down Tray Rail	5-1Gn	1875 x 298 x (base-55)	7	



Glide S/Steel Folding Solid Tray Slide

(For Wall Sited Eutec. Well - N/Gantry)

Code	Description	Capacity (Gn)	Dimensions (L x D x H mm)	Weight (kg)	Option Description.
GSTS2	Glide S/Steel Drop Down Solid Tray Slide	2-1Gn	825 x 302 x (base-55)	3	S/steel solid tray slide, drop down bracket type, up position depth + 302 mm to base unit, down position depth + 40mm to base unit. Trayslide height = base unit (h) - 55mm.
GSTS3	Glide S/Steel Drop Down Solid Tray Slide	3-1Gn	1175 x 302 x (base-55)	5	
GSTS4	Glide S/Steel Drop Down Solid Tray Slide	4-1Gn	1525 x 302 x (base-55)	7	
GSTS5	Glide S/Steel Drop Down Solid Tray Slide	5-1Gn	1875 x 302 x (base-55)	9	



Glide Extra 1-1 Gn S/Steel Eutectic Cooling Plate

(For Wall Sited Eutec. Well - N/Gantry)

Code	Description	Capacity (Gn)	Dimensions (L x D x H mm)	Weight (kg)	Option Description.
GEP1	Glide S/Steel Eutectic Cooling Gel Plate	1-1 Gn.	530x 325 x 45	4	Eutectic well 1-1 Gn, food-safe s/steel eutectic cold plate, 530(l) x 325(w) x 45(h), charged In deep freeze overnight prior to use. Provides a contact cool surface for pre-chilled product to stand on. (For use with Glide eutectic well only).



Colour Finishes To Base Cupboard

(For Wall Sited Eutec. Well - N/Gantry)

Option Description.

11 choices of leathergrain plastisol steel colours/ wood effect laminated steel for front opening sliding cupbd. doors/ sides.

Code	Description	Capacity	Code	Description	Capacity
	Ocean Blue (BS 18C37)			Satin S/Steel (430 gd.)	
GBLUEWSA2	Glide Blue Cupbd. Amb.(Wall)	2-1Gn	GSSTLWSA2	Glide S/Stl. Cupbd. Amb.(Wall)	2-1Gn
GBLUEWSA3	Glide Blue Cupbd. Amb.(Wall)	3-1Gn	GSSTLWSA3	Glide S/Stl. Cupbd. Amb.(Wall)	3-1Gn
GBLUEWSA4	Glide Blue Cupbd. Amb.(Wall)	4-1Gn	GSSTLWSA4	Glide S/Stl. Cupbd. Amb.(Wall)	4-1Gn
GBLUEWSA5	Glide Blue Cupbd. Amb.(Wall)	5-1Gn	GSSTLWSA5	Glide S/Stl. Cupbd. Amb.(Wall)	5-1Gn
	Goosewing Light Grey (BS 10A05)			Forest Green/Heritage (RAL 6002)	
GGREYWSA2	Glide Grey Cupbd. Amb.(Wall)	2-1Gn	GGRENWSA2	Glide Green Cupbd. Amb.(Wall)	2-1Gn
GGREYWSA3	Glide Grey Cupbd. Amb.(Wall)	3-1Gn	GGRENWSA3	Glide Green Cupbd. Amb.(Wall)	3-1Gn
GGREYWSA4	Glide Grey Cupbd. Amb.(Wall)	4-1Gn	GGRENWSA4	Glide Green Cupbd. Amb.(Wall)	4-1Gn
GGREYWSA5	Glide Grey Cupbd. Amb.(Wall)	5-1Gn	GGRENWSA5	Glide Green Cupbd. Amb.(Wall)	5-1Gn
	Poppy Red (BS 04E5B)			Buttermilk Cream/Honesty (BS 10C31)	
GPREDWSA2	Glide Red Cupbd. Amb.(Wall)	2-1Gn	GCREMWSA2	Glide Cream Cupbd. Amb.(Wall)	2-1Gn
GPREDWSA3	Glide Red Cupbd. Amb.(Wall)	3-1Gn	GCREMWSA3	Glide Cream Cupbd. Amb.(Wall)	3-1Gn
GPREDWSA4	Glide Red Cupbd. Amb.(Wall)	4-1Gn	GCREMWSA4	Glide Cream Cupbd. Amb.(Wall)	4-1Gn
GPREDWSA5	Glide Red Cupbd. Amb.(Wall)	5-1Gn	GCREMWSA5	Glide Cream Cupbd. Amb.(Wall)	5-1Gn
	White (BS 00E55)			Black (BS 00E53)	
GWHITWSA2	Glide White Cupbd. Amb.(Wall)	2-1Gn	GBLAKWSA2	Glide Black Cupbd. Amb.(Wall)	2-1Gn
GWHITWSA3	Glide White Cupbd. Amb.(Wall)	3-1Gn	GBLAKWSA3	Glide Black Cupbd. Amb.(Wall)	3-1Gn
GWHITWSA4	Glide White Cupbd. Amb.(Wall)	4-1Gn	GBLAKWSA4	Glide Black Cupbd. Amb.(Wall)	4-1Gn
GWHITWSA5	Glide White Cupbd. Amb.(Wall)	5-1Gn	GBLAKWSA5	Glide Black Cupbd. Amb.(Wall)	5-1Gn
	Wood Grain Effect Panels DL85 Walnut Finish			Wood Grain Effect Panels DL76 Beech Finish	
GWALNWSA2	Glide Walnut Cupbd. Amb.(Wall)	2-1Gn	GBEECWSA2	Glide Beech Cupbd. Amb.(Wall)	2-1Gn
GWALNWSA3	Glide Walnut Cupbd. Amb.(Wall)	3-1Gn	GBEECWSA3	Glide Beech Cupbd. Amb.(Wall)	3-1Gn
GWALNWSA4	Glide Walnut Cupbd. Amb.(Wall)	4-1Gn	GBEECWSA4	Glide Beech Cupbd. Amb.(Wall)	4-1Gn
GWALNWSA5	Glide Walnut Cupbd. Amb.(Wall)	5-1Gn	GBEECWSA5	Glide Beech Cupbd. Amb.(Wall)	5-1Gn
	Wood Grain Effect Panels DL84 Oak Finish				
GOAKWSA2	Glide Oak Cupbd. Amb.(Wall)	2-1Gn			
GOAKWSA3	Glide Oak Cupbd. Amb.(Wall)	3-1Gn			
GOAKWSA4	Glide Oak Cupbd. Amb.(Wall)	4-1Gn			
GOAKWSA5	Glide Oak Cupbd. Amb.(Wall)	5-1Gn			



Model GWSEW3, Option GWSAG3 + GCREMWSA3 Shown





Wall Sited Eutectic Plate Cold Well

POPULAR MODEL & OPTION CODES



Glide Wall Sited Eutectic Well (& Gantry)

Model Code	Option Code	Description
GWSEW2	GWSAG2	Glide WS Eutectic Well & Gantry 2-1
GWSEW3	GWSAG3	Glide WS Eutectic Well & Gantry 3-1
GWSEW4	GWSAG4	Glide WS Eutectic Well & Gantry 4-1
GWSEW5	GWSAG5	Glide WS Eutectic Well & Gantry 5-1

* Requires 13A 230V Elec. Socket For LED Gantry Lights.
* Self Help Gantry/ Front Facing Cupbd.

Glide Wall Sited Eutectic Well (& Gantry/ Tray Rail)

Model Code	Option Code	Option Code	Description
GWSEW2	GWSAG2	GTTS2	Glide WS Eut. Well & Gantry + T. Rail 2-1
GWSEW3	GWSAG3	GTTS3	Glide WS Eut. Well & Gantry + T. Rail 3-1
GWSEW4	GWSAG4	GTTS4	Glide WS Eut. Well & Gantry + T. Rail 4-1
GWSEW5	GWSAG5	GTTS5	Glide WS Eut. Well & Gantry + T. Rail 5-1

* Requires 13A 230V Elec. Socket For LED Gantry Lights.
* Self Help Gantry/ Front Facing Cupbd.



Glide Wall Sited Eut. Well - No Gantry (& Tray Rail)

Model Code	Option Code	Description
GWSEW2	GTTS2	Glide WS Eut. Well-NG+ Tray Rail 2-1
GWSEW3	GTTS3	Glide WS Eut. Well-NG+ Tray Rail 3-1
GWSEW4	GTTS4	Glide WS Eut. Well-NG+ Tray Rail 4-1
GWSEW5	GTTS5	Glide WS Eut. Well-NG+ Tray Rail 5-1

* No Gantry/ Front Facing Cupbd.

Glide Wall Sited Eutectic Well (& Gantry/ Tray Slide)

Model Code	Option Code	Option Code	Description
GWSEW2	GWSAG2	GSTS2	Glide WS Eut. Well & Gantry + T. Slide 2-1
GWSEW3	GWSAG3	GSTS3	Glide WS Eut. Well & Gantry + T. Slide 3-1
GWSEW4	GWSAG4	GSTS4	Glide WS Eut. Well & Gantry + T. Slide 4-1
GWSEW5	GWSAG5	GSTS5	Glide WS Eut. Well & Gantry + T. Slide 5-1

* Requires 13A 230V Elec. Socket For LED Gantry Lights.
* Self Help Gantry/ Front Facing Cupbd.



Glide Wall Sited Eut. Well - No Gantry (& Tray Slide)

Model Code	Option Code	Description
GWSEW2	GSTS2	Glide WS Eut. Well-NG+ Tray Slide 2-1
GWSEW3	GSTS3	Glide WS Eut. Well-NG+ Tray Slide 3-1
GWSEW4	GSTS4	Glide WS Eut. Well-NG+ Tray Slide 4-1
GWSEW5	GSTS5	Glide WS Eut. Well-NG+ Tray Slide 5-1

* No Gantry/ Front Facing Cupbd.

Glide Wall Sited Eutectic Well - No Gantry (& Tray Slide/ Colour Red)

Model Code	Option Code	Option Code	Description
GWSEW2	GSTS2	GPREDWSA2	Glide WS Eut. Well-NG + T. Slide (Red) 2-1
GWSEW3	GSTS3	GPREDWSA3	Glide WS Eut. Well-NG + T. Slide (Red) 3-1
GWSEW4	GSTS4	GPREDWSA4	Glide WS Eut. Well-NG + T. Slide (Red) 4-1
GWSEW5	GSTS5	GPREDWSA5	Glide WS Eut. Well-NG + T. Slide (Red) 5-1

* No Gantry/ Front Facing Cupbd.



Glide Wall Sited Eut. Well - No Gantry (Colour Red)

Model Code	Option Code	Description
GWSEW2	GPREDWSA2	Glide WS Eut. Well-NG+ (Red) 2-1
GWSEW3	GPREDWSA3	Glide WS Eut. Well-NG+ (Red) 3-1
GWSEW4	GPREDWSA4	Glide WS Eut. Well-NG+ (Red) 4-1
GWSEW5	GPREDWSA5	Glide WS Eut. Well-NG+ (Red) 5-1

* No Gantry/ Front Facing Cupbd.

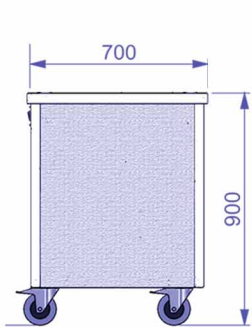
Glide Wall Sited Eutectic Well (& Gantry/ Colour Red)

Model Code	Option Code	Option Code	Description
GWSEW2	GWSAG2	GPREDWSA2	Glide WS Eut. Well & Gantry/ (Red) 2-1
GWSEW3	GWSAG3	GPREDWSA3	Glide WS Eut. Well & Gantry/ (Red) 3-1
GWSEW4	GWSAG4	GPREDWSA4	Glide WS Eut. Well & Gantry/ (Red) 4-1
GWSEW5	GWSAG5	GPREDWSA5	Glide WS Eut. Well & Gantry/ (Red) 5-1

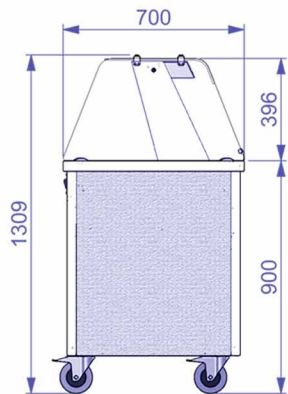
* Requires 13A 230V Elec. Socket For LED Gantry Lights.
* Self Help Gantry/ Front Facing Cupbd.



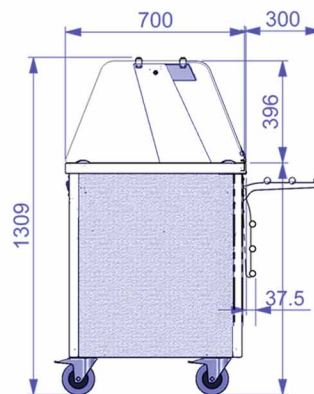
MODEL & GANTRY DIMENSIONS



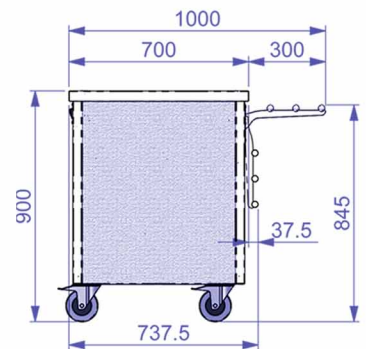
Glide Wall Sited Eutectic Well - No Gantry



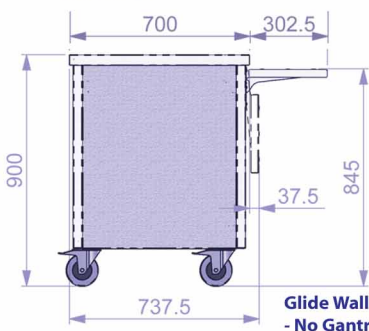
Glide Wall Sited Eutectic Well (& Gantry) *
Self Help Glass Position



Glide Wall Sited Eutectic Well (& Gantry/ Tray Rail) *
Self Help Glass Position



Glide Wall Sited Eutectic Well - No Gantry (& Tray Rail)



Glide Wall Sited Eutectic Well - No Gantry (& Tray Slide)

*Requires 13A 230V Elec. Socket For LED Gantry Lights.

