



Wall Sited Hot Cupboard (Plain Top)



Wall Sited Hot Cupboard - Plain Top (Rear Side)

Wall Sited Hot Cupboard - Plain Top (Customer Side)

ABOUT

The wall sited fan assisted heated storage cupboard forms part of the Glide range of mobile dining carts - a choice of cold, hot & ambient commercial catering carts that combine to form a food service counter solution as unique as your requirements!

The hot cupboard (no gantry) fits neatly against walls, in an alcove, recess or back to back when used as island units. The cupboard features a fan blown heating assembly which evenly distributes heat around the space. The hot cupboard is made in 4 different sizes to suit your service layout. The model has a s/steel plain work surface & front facing store cupboard under.

Behind the lift-off sliding s/steel front cupboard doors, are two tiers of removable, height adjustable grid shelves for plate/ container storage. The wire shelves help distribute heat inside the cupboard and support plate holding, dish storage, or up to ten 1-1 Gn size (150mm deep) Gn containers (not included), depending on the cupboard size. The front/side base panels are finished in leathergrain plastisol steel, colour merlin grey (BS 18B25). Each model comes with lockable castors.

ACCESSORIES & FINISHES

Folding Steel Solid or Tubular Tray Slides.

Drop down tray rails or slides + 40mm (d) height = (h) - 55mm.

Selection Of Colour Finishes To Bases.

11 alternative choices of durable steel, colour & wood effect for the external rear/ side base panels.

Front sliding cupboard doors are retained in a s/steel finish

HEIGHT OPTIONS

Low Height Model (Glide Junior).

850mm or 800mm high options for junior/ primary use.



GANTRY OPTIONS

Download All Technical Drawings From www.cedfabsltd.co.uk

Heated Gantry.

Heated self help gantry option provides short term hot holding of plated meals under.

Ambient Gantry.

An ambient LED self help glass gantry option can also be added, to display food presentation underneath or provide general counter top storage space around the servery.

FEATURES

Model Type.

The wall sited Glide hot cupboard is a fan assisted, mobile heated storage station with a s/steel plain worktop, external rear/ side fascia panels & two tiers of wire rack shelving, inside a front facing heated storage cupboard.

Each wire shelf is adjustable in height and fully removable for cleaning. The front facing s/steel sliding doors are also removable. The cupboard can be used in alcoves or recesses.

Model Dimensions.

The hot cupboard is available as 2-1Gn (825mm), 3-1Gn (1175mm), 4-1Gn (1525mm) & 5-1 Gn (1875mm) long x 700mm (D), 900mm (H) & fitted with lockable heavy duty castors.

Model Finishes.

Rear & outer end panels are finished in plastisol steel, colour merlin grey. The worktop is made from 304 gd s/steel & the front facing sliding doors are made in 430gd.s/steel.

Low Maintenance.

Easy, cleanable surfaces and a durable design ensure low maintenance for users.

Finishes & Options.

The cupboards can be customised with many accessories such as tray slides, tray rails, coloured rear/ side panel finishes, heated or ambient gantries and low height versions for junior/ primary age use.

Power Supply.

The cupboard is supplied with a 3m lead & 13 amp UK plug (13A 230v 50Hz).

Equipment Conformity. CE & UKCA Certified equipment.

Temperature Controls.

The wall sited hot cupboard features a control panel to the front/ customer side. The cupboard features a thermostat control dial.

Gantry options & mains power are operated by individual neon indicator switches. (See Below)

(Wall Sited Hot Cupboard)



HC Power

(Wall Sited Hot Cupboard & Gantry)



HC Gantry Power



Rear Side

Customer Side

Glide Wall Sited Hot Cupboard (Plain Top)

Code	Description	Capacity (Gn)	Dimensions (L x D x H mm)	Depth With Tray Slide Up/ Down	Weight (kg)	Total Power (kW)		
						No Gantry	+ Hot Gantry	+Amb. Gantry
GWSHCP2	Glide WS P.Top Hot.Cupd No Gantry 2-1	825	825 x 700 x 900	1000/ 740mm	45	0.93	1.33	0.93
GWSHCP3	Glide WS P.Top Hot.Cupd No Gantry 3-1	1175	1175 x 700 x 900	1000/ 740mm	67	0.93	1.53	0.94
GWSHCP4	Glide WS P.Top Hot.Cupd No Gantry 4-1	1525	1525 x 700 x 900	1000/ 740mm	90	0.93	1.73	0.94
GWSHCP5	Glide WS P.Top Hot.Cupd No Gantry 5-1	1875	1875 x 700 x 900	1000/ 740mm	112	1.43	2.43	1.45

Model Description. Glide mobile dining cart, (wall sited) plain top hotcupboard (no gantry), electric,700(d) x 900(h), fan assist hotcupboard with front facing cupboard & removable sliding s/steel doors, internal grid shelves for plate/ Gn container holding, cupbd. accommodates 150mm (d) containers (not included), rear/side panels in leathergrain plastisol steel, colour merlin grey (BS 18B25), lockable castors, control panel to customer (front) side, 3m lead, 13A UK plug top. H/cupb. has thermostat control & neon mains power on/off switch. Gantry options are controlled by neon on/off switch. 230V 50Hz 13A Elec. (Gantry/ Tray Rails Optional)

Glide S/Steel Folding Tubular Tray Rail

Code	Description	Capacity (Gn)	Dimensions (L x D x H mm)	Weight (kg)
GTTS2	Glide S/Steel Drop Down Tray Rail	2-1 Gn	825 x 298 x (base-55)	2
GTTS3	Glide S/Steel Drop Down Tray Rail	3-1 Gn	1175 x 298 x (base-55)	3
GTTS4	Glide S/Steel Drop Down Tray Rail	4-1 Gn	1525 x 298 x (base-55)	5
GTTS5	Glide S/Steel Drop Down Tray Rail	5-1 Gn	1875 x 298 x (base-55)	7

For Hot Cupboard (Wall Sited)

Option Description.

S/steel tubular tray rail, 304 gd. Ø25 tube, drop down bracket type, up position depth + 298 mm to base unit, down position depth + 40mm to base unit. Trayslide height = base unit (h) - 55mm.

Glide S/Steel Folding Solid Tray Slide

Code	Description	Capacity (Gn)	Dimensions (L x D x H mm)	Weight (kg)
GSTS2	Glide S/Steel Drop Down Solid Tray Slide	2-1Gn	825 x 302 x (base-55)	3
GSTS3	Glide S/Steel Drop Down Solid Tray Slide	3-1Gn	1175 x 302 x (base-55)	5
GSTS4	Glide S/Steel Drop Down Solid Tray Slide	4-1Gn	1525 x 302 x (base-55)	7
GSTS5	Glide S/Steel Drop Down Solid Tray Slide	5-1Gn	1875 x 302 x (base-55)	9

For Hot Cupboard (Wall Sited)

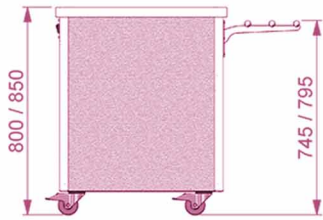
Option Description.

S/steel solid tray slide, drop down bracket type, up position depth + 302 mm to base unit, down position depth + 40mm to base unit. Trayslide height = base unit (h) - 55mm.



Wall Sited Hot Cupboard (Plain Top)

FINISHES,
HEIGHT & GANTRY OPTIONS



Low Height Model (Glide Junior) - 800/ 850mm (h)

Code	Description	Base Height (mm)	Optional Tray Slide Height (mm)
G800H**	Glide Base Unit 800mm Height	800	745
G850H	Glide Base Unit 850mm Height	850	795

**G800H Bespoke Option (With Extended lead Time)

For Hot Cupboard (Wall Sited)

Option Description.

Lower height option codes for junior/ primary use.

****800mm (h) base unit, c/w 100mm lockable castors.**
(Optional trayslide height becomes 745mm high)**

850mm (h) base unit, c/w 100mm lockable castors.
(Optional trayslide height becomes 795mm high).

Colour Finishes To Base Panels (Rear & Sides Only)

Option Description. 11 choices of leathergrain plastisol steel colours/ wood effect laminated steel for rear fascia panel/ external ends.

* Front facing sliding cupboard doors/ & valance panel remain as s/steel finish *



Model GWSHCP3
Option GGRENCHA3 Shown



Model GWSHCP3
Option GBEECCHA3 Shown

Code	Description	Capacity	Code	Description	Capacity
Ocean Blue (BS 18C37)					
GBLUECHA2	Glide Blue Fascia - Ambient	2-1Gn	GSSTLCHA2	Glide S/Steel Fascia - Ambient	2-1Gn
GBLUECHA3	Glide Blue Fascia - Ambient	3-1Gn	GSSTLCHA3	Glide S/Steel Fascia - Ambient	3-1Gn
GBLUECHA4	Glide Blue Fascia - Ambient	4-1Gn	GSSTLCHA4	Glide S/Steel Fascia - Ambient	4-1Gn
GBLUECHA5	Glide Blue Fascia - Ambient	5-1Gn	GSSTLCHA5	Glide S/Steel Fascia - Ambient	5-1Gn
Goosewing Light Grey (BS 10A05)					
GGREYCHA2	Glide Grey Fascia - Ambient	2-1Gn	GGRENCHA2	Glide Green Fascia - Ambient	2-1Gn
GGREYCHA3	Glide Grey Fascia - Ambient	3-1Gn	GGRENCHA3	Glide Green Fascia - Ambient	3-1Gn
GGREYCHA4	Glide Grey Fascia - Ambient	4-1Gn	GGRENCHA4	Glide Green Fascia - Ambient	4-1Gn
GGREYCHA5	Glide Grey Fascia - Ambient	5-1Gn	GGRENCHA5	Glide Green Fascia - Ambient	5-1Gn
Poppy Red (BS 04E5B)					
GPREDCHA2	Glide Red Fascia - Ambient	2-1Gn	GCREMCHA2	Glide Cream Fascia - Ambient	2-1Gn
GPREDCHA3	Glide Red Fascia - Ambient	3-1Gn	GCREMCHA3	Glide Cream Fascia - Ambient	3-1Gn
GPREDCHA4	Glide Red Fascia - Ambient	4-1Gn	GCREMCHA4	Glide Cream Fascia - Ambient	4-1Gn
GPREDCHA5	Glide Red Fascia - Ambient	5-1Gn	GCREMCHA5	Glide Cream Fascia - Ambient	5-1Gn
White (BS 00E55)					
GWHITCHA2	Glide White Fascia - Ambient	2-1Gn	GBLAKCHA2	Glide Black Fascia - Ambient	2-1Gn
GWHITCHA3	Glide White Fascia - Ambient	3-1Gn	GBLAKCHA3	Glide Black Fascia - Ambient	3-1Gn
GWHITCHA4	Glide White Fascia - Ambient	4-1Gn	GBLAKCHA4	Glide Black Fascia - Ambient	4-1Gn
GWHITCHA5	Glide White Fascia - Ambient	5-1Gn	GBLAKCHA5	Glide Black Fascia - Ambient	5-1Gn
Wood Grain Effect Panels DL85 Walnut Finish					
GWALNCHA2	Glide Walnut Fascia - Ambient	2-1Gn	GBEECCHA2	Glide Beech Fascia - Ambient	2-1Gn
GWALNCHA3	Glide Walnut Fascia - Ambient	3-1Gn	GBEECCHA3	Glide Beech Fascia - Ambient	3-1Gn
GWALNCHA4	Glide Walnut Fascia - Ambient	4-1Gn	GBEECCHA4	Glide Beech Fascia - Ambient	4-1Gn
GWALNCHA5	Glide Walnut Fascia - Ambient	5-1Gn	GBEECCHA5	Glide Beech Fascia - Ambient	5-1Gn
Wood Grain Effect Panels DL84 Oak Finish					
GOAKCHA2	Glide Oak Fascia - Ambient	2-1Gn			
GOAKCHA3	Glide Oak Fascia - Ambient	3-1Gn			
GOAKCHA4	Glide Oak Fascia - Ambient	4-1Gn			
GOAKCHA5	Glide Oak Fascia - Ambient	5-1Gn			

GANTRY OPTIONS

Glide Wall Sited Ambient Gantry c/w LED Lighting (Self Help)

For Hot Cupboard (Wall Sited)



Code	Description	Capacity (Gn)	Dimensions (L x D x H mm)	Weight (kg)	Power (kW)	Option Description.
GWSAG2	Glide Wall Sited Amb Gantry S. Help	2-1Gn	825 x 700 x 397	7	0.008	Wall sited ambient gantry, s/steel, c/w LED lighting, opaque cover, colour 4000k, single curved glass sneeze screen, self help use only, + 397(h) above worktop, end glass.
GWSAG3	Glide Wall Sited Amb Gantry S. Help	3-1Gn	1175 x 700 x 397	9	0.014	
GWSAG4	Glide Wall Sited Amb Gantry S. Help	4-1Gn	1525 x 700 x 397	12	0.016	
GWSAG5	Glide Wall Sited Amb Gantry S. Help	5-1Gn	1875 x 700 x 397	16	0.022	

Glide Wall Sited Heated Gantry c/w Hot Lamps (Self Help)

For Hot Cupboard (Wall Sited)



Code	Description	Capacity (Gn)	Dimensions (L x D x H mm)	Weight (kg)	Power (kW)	Option Description
GWSHG2PTHC	Glide Wall Site Hot Gantry-Hot Cpbd.2-1	2-1	825 x 700 x 540	7	0.40	Wall sited hot gantry,s/steel, single curve glass sneez screen, self help use only, front, end glass,+397(h) above worktop, reinforced, worktop for heat, fitted with quartz infra-red jacketed safety lamps..
GWSHG3PTHC	Glide Wall Site Hot Gantry-Hot Cpbd.3-1	3-1	1175 x 700 x 540	9	0.60	
GWSHG4PTHC	Glide Wall Site Hot Gantry-Hot Cpbd.4-1	4-1	1525 x 700 x 540	12	0.80	
GWSHG5PTHC	Glide Wall Site Hot Gantry-Hot Cpbd.5-1	5-1	1875 x 700 x 540	16	1.00.	





Wall Sited Hot Cupboard (Plain Top)

POPULAR MODEL/OPTION CODES



Glide Wall Sited Plain Top Hot Cupbd. (& Tray Slide)

Model Code	Option Code	Description	Total Power (kW)
GWSHCP2	GSTS2	Glide WS Hot Cpbdd. & T/Slide 2-1	1.83
GWSHCP3	GSTS2	Glide WS Hot Cpbdd. & T/Slide 3-1	1.83
GWSHCP4	GSTS2	Glide WS Hot Cpbdd. & T/Slide 4-1	1.83
GWSHCP5	GSTS2	Glide WS Hot Cpbdd. & T/Slide 5-1	1.83

*Requires 13A 230V Elec. Socket

Glide Wall Sited Plain Top Hot Cupbd. (& Heated Gantry)

Model Code	Option Code	Description	Total Power (kW)
GWSHCP2	GWSHG2PTHC	Wall Site Hot.Cupbd./Hot Gantry 2-1	2.23
GWSHCP3	GWSHG3PTHC	Wall Site Hot.Cupbd./Hot Gantry 3-1	2.43
GWSHCP4	GWSHG4PTHC	Wall Site Hot.Cupbd./Hot Gantry 4-1	2.63
GWSHCP5	GWSHG5PTHC	Wall Site Hot.Cupbd./Hot Gantry 5-1	2.83

*Requires 13A 230V Elec. Socket (Self Help Heated Gantry)

Glide Wall Sited Plain Top Hot Cupbd. (& Amb. Gantry)

Model Code	Option Code	Description	Total Power (kW)
GWSHCP2	GWSAG2	W.Site Hot Cupbd./Amb. Gantry 2-1	1.83
GWSHCP3	GWSAG3	W.Site Hot Cupbd./Amb. Gantry 3-1	1.84
GWSHCP4	GWSAG4	W.Site Hot Cupbd./Amb. Gantry 4-1	1.84
GWSHCP5	GWSAG5	W.Site Hot Cupbd./Amb. Gantry 5-1	1.85

*Requires 13A 230V Elec. Socket (Self Help Ambient Gantry)

Glide Wall Sited Plain Top Hot Cupbd. (& Amb. Gantry/ Colour Finish)

Model Code	Option Code	Option Code	Description	Total Power (kW)
GWSHCP2	GWSAG2	GPREDCHA2	W.S.H.Cupbd./Amb.Gantry(Red) 2-1	1.83
GWSHCP3	GWSAG3	GPREDCHA3	W.S.H.Cupbd./Amb.Gantry(Red) 3-1	1.84
GWSHCP4	GWSAG4	GPREDCHA4	W.S.H.Cupbd./Amb.Gantry(Red) 4-1	1.84
GWSHCP5	GWSAG5	GPREDCHA5	W.S.H.Cupbd./Amb.Gantry(Red) 5-1	1.85

*Requires 13A 230V Elec. Socket (Self Help Ambient Gantry)

Glide Wall Sited Plain Top Hot Cupbd. (& Tray Rail)

Model Code	Option Code	Description	Total Power (kW)
GWSHCP2	GTTS2	Glide WS Hot Cpbdd. & T/Rail 2-1	1.83
GWSHCP3	GTTS2	Glide WS Hot Cpbdd. & T/Rail 3-1	1.83
GWSHCP4	GTTS2	Glide WS Hot Cpbdd. & T/Rail 4-1	1.83
GWSHCP5	GTTS2	Glide WS Hot Cpbdd. & T/Rail 5-1	1.83

*Requires 13A 230V Elec. Socket

Glide Wall Sited Plain Top Hot Cupbd. (& Amb. Gantry/ Tray Rail)

Model Code	Option Code	Option Code	Description	Total Power (kW)
GWSHCP2	GWSAG2	GTTS2	W.S.Hot Cupbd./Amb.Gantry & T/Rail 2-1	1.83
GWSHCP3	GWSAG3	GTTS3	W.S.Hot Cupbd./Amb.Gantry & T/Rail 3-1	1.84
GWSHCP4	GWSAG4	GTTS4	W.S.Hot Cupbd./Amb.Gantry & T/Rail 4-1	1.84
GWSHCP5	GWSAG5	GTTS5	W.S.Hot Cupbd./Amb.Gantry & T/Rail 5-1	1.85

*Requires 13A 230V Elec. Socket (Self Help Ambient Gantry)

Glide Wall Sited Plain Top Hot Cupbd. (& Colour Finish)

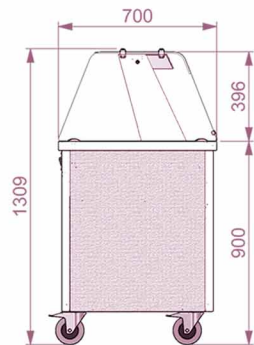
Model Code	Option Code	Description	Total Power (kW)
GWSHCP2	GGRENCHA2	Wall Site Hot.Cupbd.(Green) 2-1	1.83
GWSHCP3	GGRENCHA3	Wall Site Hot.Cupbd.(Green) 3-1	1.83
GWSHCP4	GGRENCHA4	Wall Site Hot.Cupbd.(Green) 4-1	1.83
GWSHCP5	GGRENCHA5	Wall Site Hot.Cupbd.(Green) 5-1	1.83

*Requires 13A 230V Elec. Socket

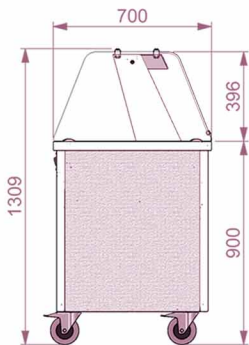
Glide Wall Sited Plain Top Hot Cupbd. (& Heated Gantry/ Tray Rail/ Colour Finish)

Model Code	Hot Gantry Option Code	Tray Rail Option Code	Colour (Red) Option Code	Gn Size	Description	Total Power (kW)
GWSHCP2	GWSHG2PTHC	GTTS2	GPREDCHA2	2-1	Glide Wall Sited Hot Cupbd. & Hot Gantry & T.Rail & (Colour Red)	2.1
GWSHCP3	GWSHG3PTHC	GTTS3	GPREDCHA3	3-1	Glide Wall Sited Hot Cupbd. & Hot Gantry & T.Rail & (Colour Red)	2.23
GWSHCP4	GWSHG4PTHC	GTTS4	GPREDCHA4	4-1	Glide Wall Sited Hot Cupbd. & Hot Gantry & T.Rail & (Colour Red)	2.43
GWSHCP5	GWSHG5PTHC	GTTS5	GPREDCHA5	5-1	Glide Wall Sited Hot Cupbd. & Hot Gantry & T.Rail & (Colour Red)	2.63

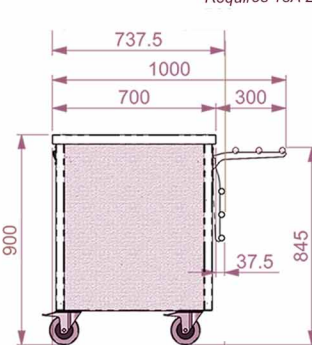
*Requires 13A 230V Elec. Socket



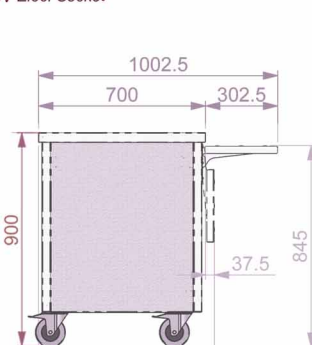
Glide Wall Sited Hot Cupbd.
(& Amb. Gantry)
Self Help Position



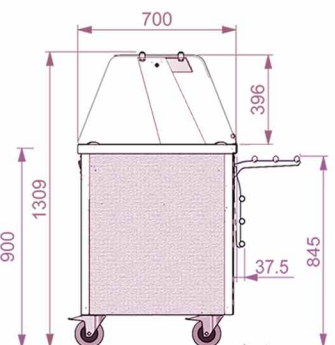
Glide Wall Sited Hot Cupbd.
(& Heated Gantry)
Self Help Position



Glide Wall Sited Hot Cupbd.
(& Tray Rail)



Glide Wall Sited Hot Cupbd.
(& Tray Slide)



Glide Wall Sited Hot Cupbd.
(& Gantry/Tray Rail)

*Gn Containers
Not Included

