



Wall Sited Ambient Twin Plate Dispenser

(For 205mm - 305mm Plates)



FEATURES

Download All Technical Drawings From www.cedfabsltd.co.uk

Model Type.

The Glide wall sited ambient plate dispenser is a mobile, self levelling, spring loaded plate dispenser with full front/ side fascia panels & a s/steel worktop.

The dispenser has two storage sections - total capacity of 88 -106 plates, depending on type. These can be adjusted for 8"-12" (205mm-305mm) diameter plates. The dispensers lift out so springs can be removed, to allow for using the dispenser with smaller and lighter plates.

Model Dimensions.

The wall sited plate dispenser is available as 2-1Gn (825mm) long, 700mm deep & 900mm high & has locking heavy duty castors.

Model Finishes.

Rear and outer end panels in plastisol steel, colour merlin grey, rear panel is in s/steel. The dispenser worktop is made from 304 gd steel, the customer front panel & external corner surfaces are in 430 gd. s/steel.

Low Maintenance

Easy, cleanable surfaces and a durable design ensure low maintenance for users..

Finishes & Options

The wall sited ambient plate dispenser can be customised with many accessories such as tray slides, tray rails, colour finishes and low height versions for junior/ primary age use.

The wall sited ambient plate dispenser can be positioned in a counter, or individually in alcoves, recesses or against a wall.

ABOUT

The wall sited twin ambient plate dispenser forms part of the Glide range of mobile dining carts - a choice of cold, hot & ambient commercial catering carts that combine to form a food service counter solution as unique as your requirements !

The wall sited dispenser has two spring loaded, self levelling plate storage sections within a s/steel worktop. Each spring loaded dispenser section is adjusted by lifting the four plate guide rods inwards/ outwards, to enable the storage of various diameter plates, between 8"-12" (205mm-305mm) with a total capacity of 88 -106 plates, depending on type. The springs keep the plates below rising to the top of the dispenser, as top plates are removed. Springs can be easily removed to facilitate smaller and lighter weight plates.

The rear /side base panels are in leathergrain plastisol steel, colour merlin grey (BS 18B25), the customer front panel is in s/steel and the worktop is 304 gd. s/steel. The plate dispenser base has lockable castors fitted.

HEIGHT OPTIONS

Low Height Model (Glide Junior).

850mm or 800mm high options for junior/ primary use.

ACCESSORIES & FINISHES

Folding Steel Solid or Tubular Tray Slides.

Tray slides + 40mm (d) height = (h) - 55mm.

Colour Finishes To Front/ Side Panels.

11 alternative choices of durable steel, colour & wood effect finishes for plate dispenser unit rear/ side panels, to compliment other selected models in the servery colour scheme. (Front panel is retained as s/steel).



Glide Twin Ambient Plate Disp. (Wall Sited)

Code	Description	Capacity (Gn)	Dimensions (L x D x H mm)	Depth With Tray Slide Up/ Down	Weight (kg)
GWSAPD2	Glide Wall Site 2x Amb. Plate Disp. 2-1Gn	825	825 x 700 x 900/1440	1000/ 740mm	54

Model Description. (GWSAPD2) Glide ambient twin plate dispenser trolley (wall sited), s/steel worktop, spring loaded self levelling, adjustable to suit 205-305mm (diam) 8-12" plates, 825(l) x 700(d) x 900mm(h), total capacity 88 -106 plates, depending on type, removable dispensers for weight (spring) adjustment, customer side front panel in s/steel, wall side rear & side base panels in leathergrain plastisol steel, colour merlin grey (BS 18B25), lockable castors. (Tray Rail Optional)



Glide S/Steel Folding Tubular Tray Rail

Option Code	Description	Capacity (Gn)	Dimensions (L x D x H mm)	Weight (kg)
GTTS2	Glide S/Steel Drop Down Tray Rail 2-1 Gn	825	825 x 298 x (base-55)	2

For Amb. 2x Plate Disp. (Wall Sited)

Option Description. S/steel tubular tray rail, 304 gd. Ø25 tube, drop down bracket type, up position depth + 298 mm to base unit, down position depth + 40mm to base unit. Trayslide height = base unit (h) - 55mm.

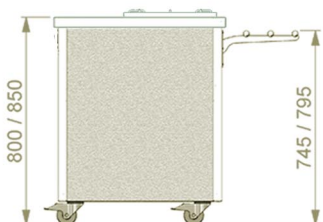


Glide S/Steel Folding Solid Tray Slide

Code	Description	Capacity (Gn)	Dimensions (L x D x H mm)	Weight (kg)
GSTS2	Glide S/Steel Drop Down Solid Tray Slide 2-1Gn	825	825 x 302 x (base-55)	3

For Amb. 2x Plate Disp. (Wall Sited)

Option Description. S/steel solid tray slide, drop down bracket type, up position depth + 302 mm to base unit, down position depth + 40mm to base unit. Trayslide height = base unit (h) - 55mm.



Low Height Model (Glide Junior) - 800/ 850mm (h)

Code	Description	Base Height (mm)	Optional Tray Slide Height (mm)
G800H**	Glide Base Unit 800mm Height	800	745
G850H	Glide Base Unit 850mm Height	850	795

**G800H Bespoke Option (With Extended lead Time)

For Amb. 2x Plate Disp. (Wall Sited)

Option Description. Lower height option codes for junior/ primary use.

****800mm (h) base unit, c/w 100mm lockable castors. (Optional trayslide height becomes 745mm high)****

850mm (h) base unit, c/w 100mm lockable castors. (Optional trayslide height becomes 795mm high).



Wall Sited Ambient Twin Plate Dispenser



FINISHES & POPULAR MODEL CODES

Colour Finishes To Side/ Rear Panels

For Twin Amb. Plate Disp. (Wall Sited)

Option Description. 11 alternative choices of durable steel, colour & wood effect finishes for plate dispenser end/rear panels (Front panel in s/steel)



Model GWSAPD2 & Option GGRENCHA2 Shown



Model GWSAPD2 Option GBEECCHA2 Shown



Ocean Blue (BS 18C37)
Code Description Capacity
 GBLUECHA2 Glide Blue Ends/Rear - Plate Disp. 2-1Gn



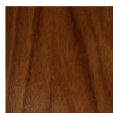
Goosewing Light Grey (BS 10A05)
Code Description Capacity
 GGREYCHA2 Glide Grey Ends/Rear - Plate Disp. 2-1Gn



Poppy Red (BS 04E5B)
Code Description Capacity
 GPREDCHA2 Glide Red Ends/Rear - Plate Disp. 2-1Gn



White (BS 00E55)
Code Description Capacity
 GWHITCHA2 Glide White Ends/Rear - Plate Disp. 2-1Gn



Wood Grain Effect Panels DL85 Walnut Finish
Code Description Capacity
 GWALNCHA2 Glide Walnut Ends/Rear - Plate Disp. 2-1Gn



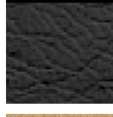
Satin S/Steel (430 gd.)
Code Description Capacity
 GSTLCHA2 Glide S/steel Ends/Rear - Plate Disp. 2-1Gn



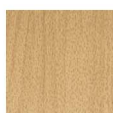
Forest Green/Heritage (RAL 6002)
Code Description Capacity
 GGRENCHA2 Glide Green Ends/Rear - Plate Disp. 2-1Gn



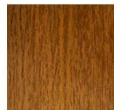
Buttermilk Cream/ Honesty (BS 10C31)
Code Description Capacity
 GCREMCHA2 Glide Cream Ends/Rear - Plate Disp. 2-1Gn



Black (BS 00E53)
Code Description Capacity
 GBLAKCHA2 Glide Black Ends/Rear - Plate Disp. 2-1Gn



Wood Grain Effect Panels DL76 Beech Finish
Code Description Capacity
 GBEECCHA2 Glide Beech Ends/Rear - Plate Disp. 2-1Gn



Wood Grain Effect Panels DL84 Oak Finish
Code Description Capacity
 GOAKCHA2 Glide Oak Ends/Rear - Plate Disp. 2-1Gn

POPULAR MODEL CODES



Glide Amb. 2x Plate Disp. (Wall Sited) (& Tray Slide)

Model Code	Option Code	Description	Gn Size
GWSAPD2	GSTS2	Wall S Amb. Plate Disp. & T/Slide	2-1

Glide Amb. 2x Plate Disp. (Wall Sited) (& Tray Rail)

Model Code	Option Code	Description	Gn Size
GWSAPD2	GTTS2	Wall S Amb. Plate Disp. & T/Rail	2-1



Glide Amb. 2x Plate Disp. (Wall Sited) (& Colour Finish - Red)

Model Code	Option Code	Description	Gn Size
GWSAPD2	GPREDCHA2	Wall S Amb. Plate Disp. (+Red)	2-1

Glide Amb. 2x Plate Disp. (Wall Sited) (& Tray Rail & Colour Finish - Red)

Model Code	Option Code	Option Code	Description	Gn Size
GAPD2	GTTS2	GPREDCHA2	WS Amb. Plate Disp./ T.Rail (+Red)	2-1

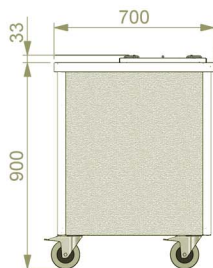


Glide Amb. 2x Plate Disp. (Wall Sited) (& Tray Slide & Colour Finish - Red)

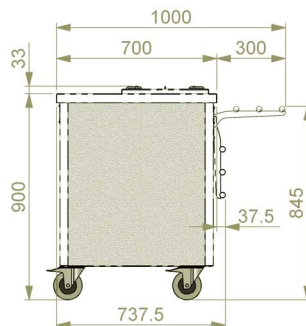
Model Code	Option Code	Option Code	Description	Gn Size
GWSAPD2	GSTS2	GPREDCHA2	WS Amb. Disp./ T.Slide+(Red)	2-1

Glide Amb. 2x Plate Disp. (Wall Sited) (& Colour Finish - Blue)

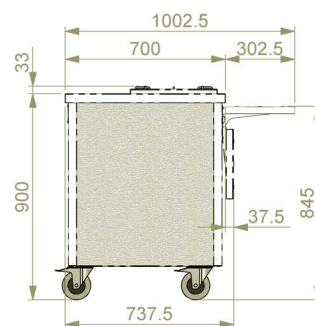
Model Code	Option Code	Description	Gn Size
GWSAPD2	GBLUECHA2	WS Amb. Plate Disp (+Blue)	2-1



Glide Twin Amb. Plate Dispenser (Wall Sited)



Glide Twin Amb. Plate Disp. & Tray Rail (Wall Sited)



Glide Twin Amb. Plate Disp. & Tray Slide (Wall Sited)

