

Model QDS186RUU Shown



DOUBLE BOWL SINK (600mm DEEP)

SPECIFICATION

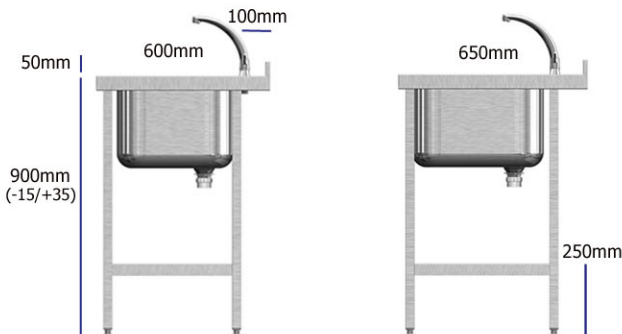
- ✓ Commercial s/steel double bowl sink unit with left or right hand or double drainer worktop.
- ✓ Worktop in 304 gd. s/steel with 304 gd. s/steel bowls, on 30 x 30 box section 430 gd. 1.2 thk. framework.
- ✓ Welded low level 430 gd. 1.2 thk. s/steel storage under-shelf.
- ✓ Available in 1800 & 2400mm popular lengths.
- ✓ Available in 600 & 650mm depths.
- ✓ Standard sink height is 900mm – to suit most kitchen area back counters.
- ✓ Bowl size: (Type U) 79 Lt. (600 long x 450 wide x 300 mm deep).
- ✓ Sound deadening is fitted to bowl bases.
- ✓ Flat drainer worktop features raised drainer pattern, enabling less surface contact whilst drying dishes etc.
- ✓ Drip mould edging surround to worktop area prevents water spillage.
- ✓ 50 mm high splashback/wall upstand to rear of worktop.
- ✓ Supplied with 38mm waste fitting and a 255mm high strainer waste for each bowl.
- ✓ Sink unit legs inset 100 mm to the rear, to allow for service pipework behind.
- ✓ Frame fitted with flanged levelling feet for mechanical fixing to floor surface.
- ✓ Sink height adjustment : - 15/+ 35mm
- ✓ Taps, 38mm waste traps & waste pipework are not supplied.
- ✓ 3 lever arm tap options available, all WRAS approved.

DOUBLE BOWL SINK (600mm DEEP)

Code	Description	Bowl Sizes (mm)	Capacity (Lt)
QDBS186LUU	1800x600 L/H Drain	600x450x300 + 600x450x300	79 + 79
QDBS186RUU	1800x600 R/H Drain	600x450x300 + 600x450x300	79 + 79
QDBS246DUU	2400x600 Dbl. Drain	600x450x300 + 600x450x300	79 + 79

DOUBLE BOWL SINK (650mm DEEP)

Code	Description	Bowl Sizes (mm)	Capacity (Lt)
QDS1865RUU	1800x650 R/H Drain	600x450x300 + 600x450x300	79 + 79
QDS1865LUU	1800x650 L/H Drain	600x450x300 + 600x450x300	79 + 79
QDS2465DUU	2400x650 Dbl. Drain	600x450x300 + 600x450x300	79 + 79



QUICK SERVICE DOUBLE BOWL SINKS



Introducing Quick Service
A range of popular sized, short lead time, high quality commercial fabrication products.

DOUBLE BOWL SINK (600mm DEEP)

QDBS186LUU



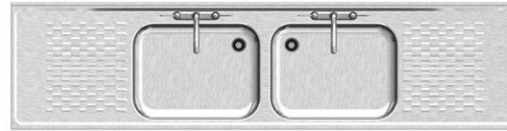
L/H DRAIN 1800 x 600 - 600+600 BOWLS

QDBS186RUU



RH DRAIN 1800 x 600 - 600+600 BOWLS

QDBS246DUU

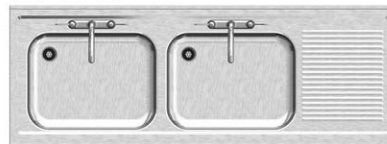


DOUBLE DRAIN 2400 x 600 - 600+600 BOWLS



DOUBLE BOWL SINK (650mm DEEP)

QDS1865RUU



R/H DRAIN 1800 x 650 - 600+600 BOWLS

QDS1865LUU



L/H DRAIN 1800 x 650 - 600+600 BOWLS

QDS2465DUU



DOUBLE DRAIN 2400 x 650 - 600+600 BOWLS



Model QDS2465DUU Shown

ACCESSORIES

* 2 Tap Sets Required For Double Bowl Range

CEDLPT0953



(SET) - 1/2" HIGH NECK PILLAR TAP LEVER ARM

CEDLBT0954



(SET) - 1/2" BASIN TAP LEVER ARM

CEDLMM0955



(SET) - 1/2" MIXER TAP LEVER ARM

CED Fabrications Limited
Units A1-A4 Falcon Court
Clayton Business Park
Clayton-Le-Moors
Hyndburn
Lancashire
BB5 5JD

Tel : 01254 238 282
www.cedfabsltd.co.uk
sales@cedlimited.com



Download All Technical Drawings From
www.cedfabsltd.co.uk