

Model QSBS126RS Shown



SINGLE BOWL SINK (600mm DEEP)

SPECIFICATION

- ✓ Commercial s/steel single bowl sink unit with left or right hand drainer worktop.
- ✓ Worktop in 304 gd 1.2 thk. s/steel with 304 gd. s/steel bowl, on 30 x 30 box section 430 gd. 1.2 thk. framework.
- ✓ Welded low level 430 gd. 1.2 thk. s/steel storage under-shelf.
- ✓ Available in 1200 & 1400mm popular lengths.
- ✓ Available in 600, 650 & 700mm depths.
- ✓ Standard sink height is 900mm – to suit most kitchen area back counters.
- ✓ 2 bowl sizes:
 - (Type S) 59 Lt. (500 long x 400 wide x 300 mm deep).
 - (Type U) 79 Lt. (600 long x 450 wide x 300 mm deep).
- ✓ Sound deadening is fitted to bowl base.
- ✓ Flat drainer worktop features raised drainer pattern, enabling less surface contact whilst drying dishes etc.
- ✓ Drip mould edging surround to worktop area prevents water spillage.
- ✓ 50 mm high splashback/wall upstand to rear of worktop.
- ✓ Supplied with 38mm waste fitting and a 255mm high strainer waste for each bowl.
- ✓ Sink unit legs inset 100 mm to the rear, to allow for service pipework behind.
- ✓ Frame fitted with flanged levelling feet for mechanical fixing to floor surface.
- ✓ Sink height adjustment : - 15/+ 35mm
- ✓ Taps, 38mm waste traps & waste pipework are not supplied.
- ✓ 3 lever arm tap options available, all WRAS approved.

SINGLE BOWL SINK (600mm DEEP)

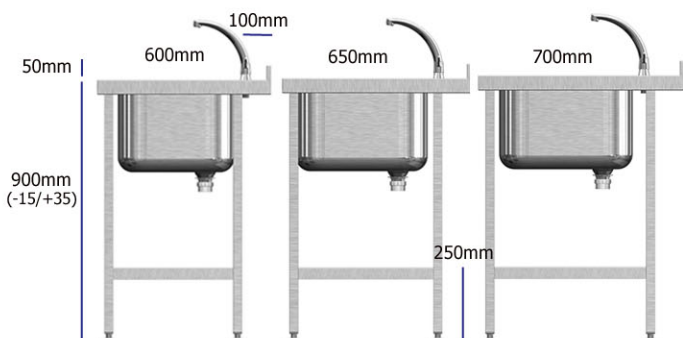
Code	Description	Bowl Size (mm)	Bowl Capacity (Ltr.)
QSBS126RS	1200x600 R/H Drain	500x400x300	59
QSBS126LS	1200x600 L/H Drain	500x400x300	59

SINGLE BOWL SINK (650mm DEEP)

Code	Description	Bowl Size (mm)	Bowl Capacity (Ltr.)
QSBS1265LS	1200x650 L/H Drain	500x400x300	59
QSBS1265RS	1200x650 R/H Drain	500x400x300	59

SINGLE BOWL SINK (700mm DEEP)

Code	Description	Bowl Size (mm)	Bowl Capacity (Ltr.)
QSBS147RU	1400x700 R/H Drain	600x450x300	79
QSBS147LU	1400x700 L/H Drain	600x450x300	79



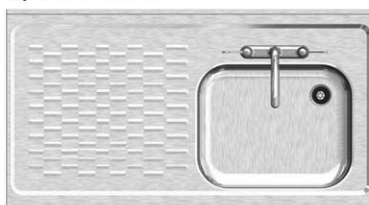
Introducing Quick Service
A range of popular sized, short lead time, high quality commercial fabrication products.

QUICK SERVICE SINGLE BOWL SINKS



SINGLE BOWL SINK (600mm DEEP)

QSBS1265LS



L/H DRAIN 1200 x 650 500 BOWL

SINGLE BOWL SINK (650mm DEEP)



QSBS1265RS



R/H DRAIN 1200 x 650 500 BOWL



SINGLE BOWL SINK (700mm DEEP)

QSBS147RU



R/H DRAIN 1400 x 700 600 BOWL

QSBS147LU



L/H DRAIN 1400 x 700 600 BOWL

ACCESSORIES

CEDLPT0953



(SET) - 1/2" HIGH NECK PILLAR TAP LEVER ARM

CEDLBT0954



(SET) - 1/2" BASIN TAP LEVER ARM

CEDLMM0955



(SET) - 1/2" MIXER TAP LEVER ARM

CED Fabrications Limited
Units A1-A4 Falcon Court
Clayton Business Park
Clayton-Le-Moors
Hyndburn
Lancashire
BB5 5JD

Tel : 01254 238 282
www.cedfabsltd.co.uk
sales@cedlimited.com



Download All Technical Drawings From
www.cedfabsltd.co.uk